



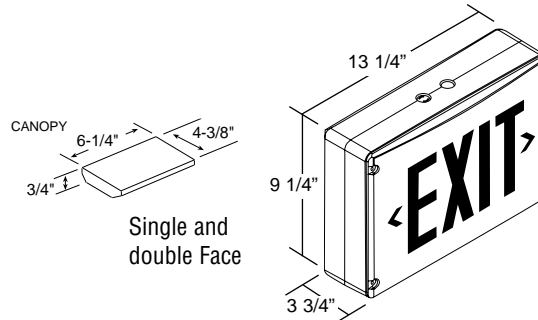
Self-Powered Exit Sign is standard with Self-Diagnostic/Self-Testing circuitry

### Light Sources

- LED, Light Emitting Diodes

### Sealed Maintenance-Free Batteries

- Nickel Cadmium



Dimensions are approximate and subject to change.



## features

### Reliability

The Severe XV Series has a 5-year full warranty.

### Unit Data

- Standard NEMA 4X
- Standard damp location listing (10°C to 40°C)
- AC-only and AC/DC signs are operational at -40°C to +40°C

Rugged polyvinyl chloride body, will not dent, peel, rust or corrode. The sealed faceplate is constructed of heavy duty, vandal resistant polycarbonate and features an evenly illuminated legend. The fully gasketed faceplate is fastened with stainless steel tamper-resistant screws. Magnetically operated test switch. Models can be wall, end or ceiling mounting. Legend and chevron complies with UL and CSA requirements.

### Low Energy Consumption:

**RED:** AC-Only: (120 volt) 1.1 watts, (277 volt) 1.2 watts Self-Powered: (120 volt) 3.5 watts 0.83PF, (277 volt) 3.7 watts 0.61PF

**GREEN:** AC-Only: (120 volt) 0.8 watts, (277 volt) 0.9 watts Self-Powered: (120 volt) 2.8 watts 0.78PF, (277 volt) 3 watts 0.60PF

**Reliability:** Severe XV Series signs are unaffected by the vibrations, ambient temperature swings and typical power surges detrimental to standard exit light sources.

The **Severe XV Series** is designed specifically for high abuse areas, wet locations, and cold weather (-25°C) applications (specify the CW option). It is ideally suited for schools, parking garages, public areas, transit platforms, and security areas/prisons.

## Applications

- High Abuse Areas, • Vandal Prone Areas, • Damp and Wet Locations, • NEMA 4X, • Hose Down (1500 PSI) Areas, • Cold Temperatures, • Food Processing/Preparation

## optional features

Description	Add Suffix
Dual Circuit Operation (120/120 or 277/277) .....	2*
Fire Alarm Activated Flasher .....	F
Flasher/Buzzer (Self-Powered Only) .....	FB
Flasher .....	1
6, 12, 24 or 48 volt DC kit .....	DC
Open face/special wording .....	Y
Cold weather unit (-25°C) .....	CW
* AC only units.	

### Accessories (order as a separate item)

Tamper-Proof Bit.....TPB

## High Performance Circuitry

- Self Contained... Batteries & circuitry located inside the exit housing.
- Continuous self-diagnostic monitoring and monthly self testing.
- Fully automatic charger is solid state.
- Universal 2 wire AC input (100 through 347VAC)
- Sealed, maintenance-free nickel cadmium provide 90 minutes of emergency operation.
- Batteries recharge per UL924 requirements.

## Diagnostic / Self Test Feature

Diagnostic / Self Test circuitry is standard on all self-powered models. This circuitry is programmed to ensure the exits readiness and reliability by continuously monitoring every critical function of the unit. If a problem occurs, a single service required LED illuminates immediately. A detailed diagnostic display is located on the inside of the exit sign, out of sight from the general public. The detailed diagnostic display inside the exit sign will further indicate the nature of the fault. The self test will test the unit for 30 seconds every 30 days, 30 minutes every 60 days and 90 minutes annually.

## ordering information

To order, specify the model number per the following sequence **Example: XV1R4X2**

Color Option, Housing/Face	Series	Faces	Legend colors	Diagnostics	Housing	Options
Blank = Black/Black BW = Black/White BA = Black/Aluminum GB = Gray/Black GW = Gray/White GA = Gray/Aluminum WB = White/Black WW = White/White WA = White/Aluminum	XV = AC-only XVE = Self-powered Nickel Cadmium Battery	1 = Single face 2 = Double face	R = Red G = Green	blank = AC-only models D = Standard on all self-powered Models	4X Standard NEMA 4X housing	See Optional Features