

## ■ Fluorescent Emergency Lighting Ballasts

|                               |    |
|-------------------------------|----|
| Ballast Reference Chart ..... | 88 |
| AM Series .....               | 89 |
| AM30 Series .....             | 90 |
| AM28 & AM54 Series .....      | 91 |
| FF-AM Series .....            | 92 |
| AM-L, AM-L-2 Series .....     | 93 |

## Ballast Reference Chart

| MODEL #  | AM7 | AM11 | AM12 | AM18 | AM20 | AM23 | AM28 | AM30 | AM32 | AM80-D | AM54 | AM540 |
|--|-----|------|------|------|------|------|------|------|------|--------|------|-------|
| Lumens   | 700 | 650  | 1300 | 650  | 650  | 1400 | 500  | 3000 | 500  | 1300   | 825  | 1300  |
| <b>LINEAR LAMPS</b>  |     |      |      |      |      |      |      |      |      |        |      |       |
| Lamp Type (# of Lamps)   |     |      |      |      |      |      |      |      |      |        |      |       |
| 2'-4' Rapid, Instant, Energy Saving, T8 thru T12 (1)           | X   |      | X    |      |      |      | X    | X    | X    | X      | X    | X     |
| 2'-4' Rapid, Instant, Energy Saving, T8 thru T12, HO & VHO (2) | X   |      | X    |      |      | X    |      | X    |      | X      |      |       |
| 2'-8' Rapid, Instant, Energy Saving, T8 thru T12, HO & VHO (1) | X   |      | X    |      |      |      |      | X    |      | X      |      |       |
| F17 T8 (1)   | X   |      | X    |      |      |      | X    |      | X    | X      | X    | X     |
| F17 T8 (2)   | X   |      | X    |      |      | X    |      |      |      | X      |      |       |
| F25 T8 (1)   |     |      | X    |      |      |      | X    | X    |      | X      | X    | X     |
| F25 T8 (2)   |     |      | X    |      |      |      |      | X    |      | X      |      |       |
| F32 T8 (1)   | X   |      | X    |      |      |      | X    | X    | X    | X      | X    | X     |
| F32 T8 (2)   | X   |      | X    |      |      | X    |      | X    |      | X      |      |       |
| F40 T8 (1)   |     |      |      |      |      |      |      |      |      |        | X    | X     |
| FO96 T8 (1)  | X   |      | X    |      |      |      |      | X    |      | X      |      |       |
| 14W T5 (1)   |     |      | X    |      |      |      | X    |      |      |        | X    | X     |
| 21W T5 (1)   |     |      | X    |      |      |      | X    |      |      |        | X    | X     |
| 24W T5 (1)   |     |      | X    |      |      |      | X    |      |      |        | X    | X     |
| 28W T5 (1)   |     |      | X    |      |      |      | X    | X    | X    | X      | X    | X     |
| 39W T5 (1)   |     |      | X    |      |      |      |      |      |      | X      | X    | X     |
| 54W T5 HO (1)  |     |      | X    |      |      |      |      | X    |      | X      | X    | X     |
| F20 T12 (1)  | X   |      | X    |      |      |      |      |      | X    | X      |      |       |
| F20 T12 (2)  | X   |      |      |      |      | X    |      |      |      |        |      |       |
| F40 T12 (1)  | X   |      | X    |      |      |      |      | X    | X    | X      |      |       |
| F40 T12 (2)  | X   |      |      |      |      | X    |      | X    |      |        |      |       |
| F48 T12 (1)  |     |      | X    |      |      |      |      |      |      | X      |      |       |
| F96 T12 (1)  | X   |      | X    |      |      |      |      | X    |      | X      |      |       |
| <b>COMPACT LAMPS</b>   |     |      |      |      |      |      |      |      |      |        |      |       |
| 18W Long Compact (1)   |     |      |      |      |      |      |      |      |      |        |      |       |
| 24W Long Compact (1)   |     |      |      |      | X    |      |      |      |      |        |      |       |
| 36W Long Compact (1)   |     |      | X    |      | X    | X    |      |      |      | X      | X    | X     |
| 40W Long Compact (1)   | X   |      | X    |      | X    | X    |      | X    | X    | X      | X    | X     |
| 40W Long Compact (2)   |     |      |      |      |      |      |      | X    |      |        |      |       |
| 50W Long Compact (1)   | X   |      | X    |      |      | X    |      | X    |      | X      | X    | X     |
| 55W Long Compact (1)   | X   |      | X    |      |      | X    |      | X    |      | X      | X    | X     |
| 5W PL CF 2-Pin (1)   |     | X    |      |      |      |      |      |      |      |        |      |       |
| 7W PL CF 2-Pin (1)   |     | X    |      |      |      |      |      |      |      |        |      |       |
| 9W PL CF 2-Pin (1)   |     | X    |      |      |      |      |      |      |      |        |      |       |
| 13W PL CF 2-Pin (1)  |     | X    |      |      |      |      |      |      |      |        |      |       |
| 18W PL CF 2-Pin (1)  |     |      |      | X    |      |      |      |      |      |        |      |       |
| 26W PL CF 2-Pin (1)  |     |      |      | X    |      |      |      |      |      |        |      |       |
| 10W PL CF 4-Pin (1 or 2)                                       |     |      |      |      |      |      |      | X    |      |        |      |       |
| 13W PL CF 4-Pin (1 or 2)                                       |     |      |      |      | X    |      |      | X    |      |        |      |       |
| 18W PL CF 4-Pin (1 or 2)                                       |     |      |      |      |      |      |      | X    |      |        |      |       |
| 26W PL CF 4-Pin (1 or 2)                                       |     |      |      |      |      |      |      | X    |      |        |      |       |
| 32W PL CF 4-Pin (1 or 2)                                       |     |      |      |      |      |      |      | X    |      |        |      |       |
| 42W PL CF 4-Pin (1)  |     |      |      |      |      |      |      | X    |      |        |      |       |
| 42W PL CF 4-Pin (2)  |     |      |      |      |      |      |      | X    |      |        |      |       |
| 57W PL CF 4-Pin (1)  |     |      | X    |      |      |      |      | X    |      | X      |      |       |
| 57W PL CF 4-Pin (2)  |     |      |      |      |      |      |      | X    |      |        |      |       |
| 70W PL CF 4-Pin (1)  |     |      | X    |      |      |      |      | X    |      | X      |      |       |
| 20W Circline (1)   | X   |      | X    |      |      |      |      | X    | X    | X      | X    | X     |
| 20W Circline (2)   | X   |      | X    |      |      |      |      | X    |      | X      |      |       |
| 40W Circline (1)   | X   |      | X    |      |      |      |      | X    | X    | X      | X    | X     |
| 40W Circline (2)   | X   |      | X    |      |      |      |      | X    |      | X      |      |       |
| 55W Circline T5 (1)  | X   |      |      |      |      |      |      | X    |      |        |      |       |



# AM Series

## Fluorescent Power Packs

### Sealed Maintenance-Free Nickel-Cadmium Battery

#### UL Listed

The **AM Series** Fluorescent power packs are a cost-efficient solution for conversion of new or existing fluorescent fixtures into emergency lighting units. This series are ideally suited for commercial applications.

## FEATURES

### Reliability

The **AM Series** has a three to five-year full warranty (Please see chart below)

### Unit Data

The **AM Series** components are housed in a compact ballast-size case. Installation is simple and cost-efficient. Unit mounts easily inside or on top of fixture using wire end caps (if necessary). Can be wired to operate with switched, un-switched or normally off fixtures without affecting normal operation. Use with Circline, U-shaped and energy-saving lamps. For VH0, SH0 and Power Groove® lamps, use the AM7 or AM12 models. Compatible with standard, energy-saving, dimming and electronic AC ballasts.\*Power Groove is a registered trademark of GE.

### Charger

- Fully automatic solid state charger.
- Automatic transfer relay energizes lamp instantaneously upon failure of normal AC supply.
- Low voltage disconnect prevents overdischarge of battery.
- External test switch and pilot light.

### Power Requirements

Dual Voltage 120/277Vac, 60Hz, 0.3/0.15 Amp

## OPTIONS

(Add Suffix to Model No.)

Suffix

Damp Location Listing (Only available on AM80 Series).....-D

## ACCESSORIES

(Order as a separate item)

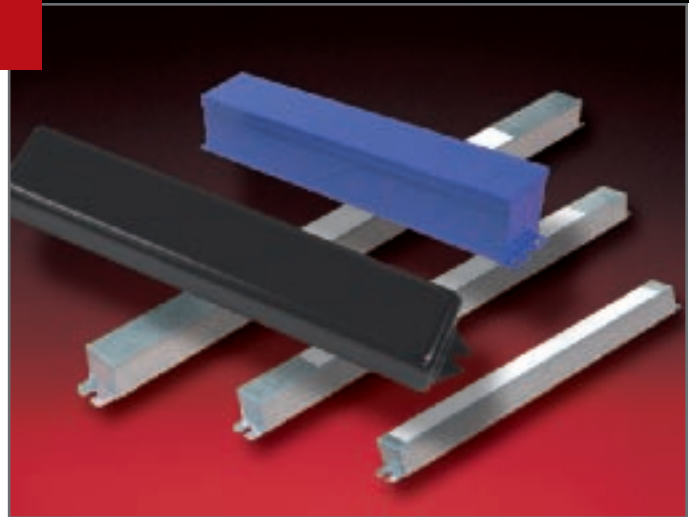
Remote Test Switch (Metal faceplate).....PSW

Remote Test Switch (Plastic faceplate).....PSW1

Wire end caps for AM32.....EC6

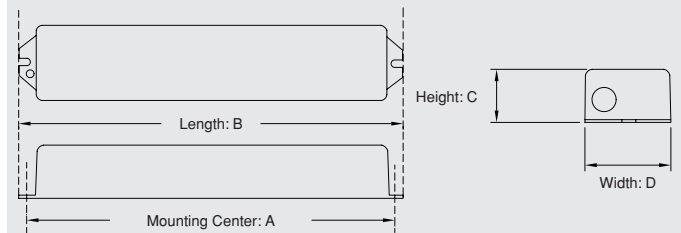
## UNIT SELECTION CHART

| Model # | Lamp Operated in Emergency Mode<br>(see new ballast reference chart)                 | Emergency<br>Illumination Time | Lumens | Wire End Caps        | Warranty    |
|---------|--|--------------------------------|--------|----------------------|-------------|
| AM7     | 1 lamp 2'-8" (20W-215W) or 2 lamps 2'-4" (20W-40W)                                   | 90min.                         | 700    | Included             | 3 year full |
| AM11    | 1 compact fluorescent lamp (7, 9 or 13W)   | 90min.                         | 650    | Not required         | 3 year full |
| AM12    | 1 lamp 2'-8" (20W-215W) or 2 lamps 2'-4" (20W-40W)                                   | 90min.                         | 1300   | Included             | 5 year full |
| AM18    | 1 compact fluorescent lamp (18W & 26W)   | 90min.                         | 650    | Not required         | 3 year full |
| AM20    | 1 compact fluorescent lamp or 2 compact fluorescent lamps (10W-42W)                  | 90min.                         | 650    | Not required         | 3 year full |
| AM23    | 2 lamps 2'-4"  | 90min.                         | 1400   | Included             | 3 year full |
| AM32-L  | 1 lamp 2'-4" (20W-40W)   | 90min.                         | 550    | Optional Order #EC6  | 3 year full |
| AM80-D  | Most 2'-8" single, bi-pin T8 + T12, long compact, HO + HVO fluorescent lamps         | 90min.                         | 1300   | Not required         | 5 year full |
| AM540   | 1 lamp 2'-4" (40W-50W) Most 2'-4" T5 or T8 and 40-55 watts 4 pin compact fluorescent | 90min.                         | 1300   | Optional order #EC54 | 3 year full |



## DIMENSIONS

Dimensions are approximate and subject to change.



| Model  | Dimensions (inches) |         |         |         |
|--------|---------------------|---------|---------|---------|
|        | a                   | b       | c       | d       |
| AM7    | 9"                  | 9-5/8"  | 1-1/2"  | 2-3/8"  |
| AM11   | 8-7/8"              | 9-1/2"  | 1-1/2"  | 2-3/8"  |
| AM12   | 12-1/2"             | 13-1/8" | 1-1/2"  | 2-1/4"  |
| AM18   | 11-1/2"             | 12"     | 1-1/2"  | 2-3/4"  |
| AM20   | 9"                  | 9-1/2"  | 1-1/2"  | 2-3/8"  |
| AM23   | 12-3/4"             | 13-1/8" | 1-1/2"  | 2-3/8"  |
| AM32-L | 9"                  | 9-5/8"  | 1-1/2"  | 2-3/8"  |
| AM80-D | 12-3/4"             | 13-1/8" | 1-1/2"  | 2-3/8"  |
| AM540  | 21"                 | 21-1/2" | 1-3/16" | 1-3/16" |

## ORDERING FORMAT

| Series | Option Suffix |
|--------|---------------|
| AM80   | -D            |

# AM30 Series



- Emergency Power Packs
- T8 or T12 Fluorescent Lamps
- Sealed Maintenance-Free Nickel-Cadmium Battery
- UL Listed

The AM30 Series designed for use with most T5 or T8 fluorescent lamps. They are ideal for use in linear lighting fixtures where ballast space is limited.

## FEATURES

### Reliability

The AM30 Series has a five-year full warranty.

### Unit Data

The housing of the AM30 consists of a single, sealed housing compartment containing the battery, battery charger, transfer circuit and high frequency inverter. A pilot light and test switch shall be provided. The AM30 comes standard with a 24" flex conduit on one end of the housing.

The AM30 can cold start and operate most 2'-8", single bi-pin T8 and T12 HO or VHO linear, 42-watt 4-pin lamp and long compact.

Emergency capabilities of the AM30 are one (1) 2'-8" or two (2) 2'-4' for a minimum of 90 minutes. Only one (1) long compact fluorescent lamp may be operated in the emergency mode.

The AM30 is designated for installation on top of the fixture or can be remote from the fixture.

### Charger

- Fully automatic solid state charger.
- Automatic transfer relay energizes lamp instantaneously upon failure of normal AC supply.
- Low voltage disconnect prevents overdischarge of battery.
- External test switch and pilot light.

### Power Requirements

Dual Voltage 120/277Vac, 60Hz, 3.5 watts

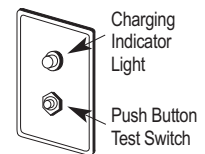
## ACCESSORIES

(Order as a separate item)

Remote Test Switch (Metal faceplate).....PSW

Remote Test Switch (Plastic faceplate).....PSW1

Recommended for inaccessible locations. Test

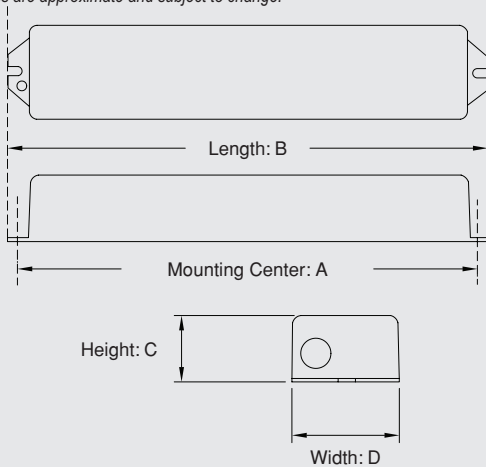


## UNIT SELECTION CHART

| LUMEN OUTPUT                     | LAMPS OPERATED  | EMERGENCY OPERATION    |
|----------------------------------|---|------------------------|
| (1) Lamp - 3000 lumens           | Most 2'-8' single, bi-pin, T8 & T12, HO or VHO linear, 42W 4-pin and long compact fluorescent lamps | 90 Minutes             |
| (2) Lamps - 1500 lumens Per lamp |   | (1) 2'-8" or (2) 2'-4" |

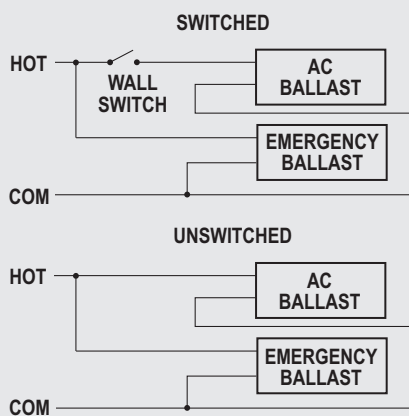
## DIMENSIONS

Dimensions are approximate and subject to change.



| Model | Dimensions (inches) |         |    |    |
|-------|---------------------|---------|----|----|
|       | a                   | b       | c  | d  |
| AM30  | 15 7/8"             | 16 3/8" | 3" | 3" |

## DIAGRAM



Primary circuit only. Lamp leads not shown.

## ORDERING FORMAT

AM30

Series

# AM28 and AM54 Series

- Emergency Power Packs
- T5 or T8 Fluorescent Lamps
- Sealed Maintenance-Free Nickel-Cadmium Battery
- Damp Location Listed
- UL Listed (for factory installation or retrofit applications)

The AM28 and AM54 are self-contained emergency ballasts designed for use with most T5 or T8 fluorescent lamps. They are ideal for use in linear lighting fixtures where ballast space is limited.

## FEATURES

### Reliability

The AM28 & AM54 Series has a five-year full warranty.

### Unit Data

The housing of the AM28 & AM54 consists of a single, sealed housing compartment containing the battery, battery charger, transfer circuit and high frequency inverter. A pilot light and test switch shall be provided.

The AM28 can cold start and operate most 2"-4", 28-watt T5 and T8 fluorescent lamps.

The AM54 can cold start and operate most 2"-4", 54-watt T5 and T8 fluorescent lamps, including HO and 40-55-watt 4-pin, long compact fluorescent lamps. Emergency operation for a minimum of 90 minutes.

### Charger

- Fully automatic solid state charger.
- Automatic transfer relay energizes lamp instantaneously upon failure of normal AC supply.
- Low voltage disconnect prevents overdischarge of battery.

### Power Requirements

Dual Voltage 120/277Vac, 60Hz, 3.5 watts

## OPTIONS

(Add Suffix to Model No.)

Damp Location Listing .....-DL

Suffix

## ACCESSORIES

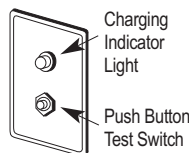
(Order as a separate item)

Remote Test Switch (Metal faceplate).....PSW

Remote Test Switch (Plastic faceplate).....PSW1

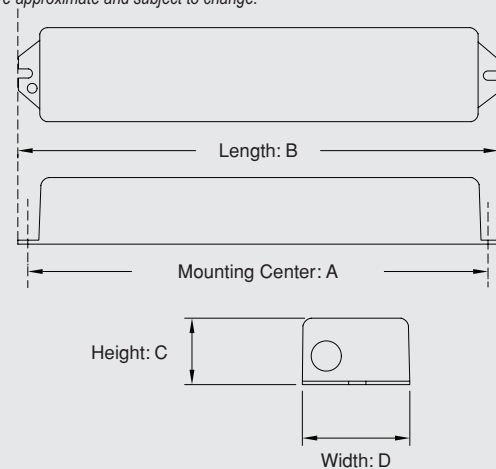
\* Note: Recommended for inaccessible locations.

Test switch and charging indicator on a single chrome mounting plate.



## DIMENSIONS

Dimensions are approximate and subject to change.



| Model | Dimensions (inches) |         |         |         |
|-------|---------------------|---------|---------|---------|
|       | a                   | b       | c       | d       |
| AM28  | 13-3/4"             | 14-1/4" | 1-3/16" | 1-3/16" |
| AM54  | 17"                 | 17-1/2" | 1-3/16" | 1-3/16" |

## ORDERING FORMAT

|               |                       |
|---------------|-----------------------|
| AM28          | -DL                   |
| <b>Series</b> | <b>Option Suffix</b>  |
|               | Damp Location Listing |

## UNIT SELECTION CHART

| Model # | Lamp Operated in Emergency Mode | Emergency | Lumens | Wire End Caps        | Warranty    |
|---------|---------------------------------|-----------|--------|----------------------|-------------|
| AM28    | 1 lamp 2'-4'                    | 90min.    | 500    | Optional order #EC54 | 3 year full |
| AM54    | 1 lamp 2'-4'                    | 90min.    | 825    | Optional order #EC54 | 3 year full |

## FF-AM Series



- Self-Powered Fluorescent Fixture
- Sealed Maintenance-free Nickel-Cadmium Battery
- Tamper Proof and Vandal Proof
- UL Listed

The FF-AM Series is a tamper and vandal resistant fluorescent fixture that combines the functions of normal area lighting and emergency lighting in one fixture.

### FEATURES

#### Reliability

The FF-AM Series has a three-year full warranty (excluding lamps and pilot lights).

#### Unit Data

The housing of the FF-Am Series is constructed of steel and secured with tamper-proof screws. A tamper-proof screw driver bit is furnished standard with each unit. This series is completely self-contained and maintenance-free. The diffuser consists of an injection molded .125" UV stabilized, unbreakable polycarbonate lens. The lens features a prismatic pattern on the bottom and linear refractive sides for brightness control and 180° uniform light distribution. The FF-AM unit is available only as surface mount.

#### Lamp

Available with sockets for one (1), 20-watt, one (1), 34-watt, two(2), 20-watt or two(2) 34-watt T12 lamps, or one (1) or two(2) 32-watt T8 lamps supplied by others.

#### Charger

- Fully automatic solid-state charger.
- Low voltage disconnect prevents overdischarge of battery.

#### Controls

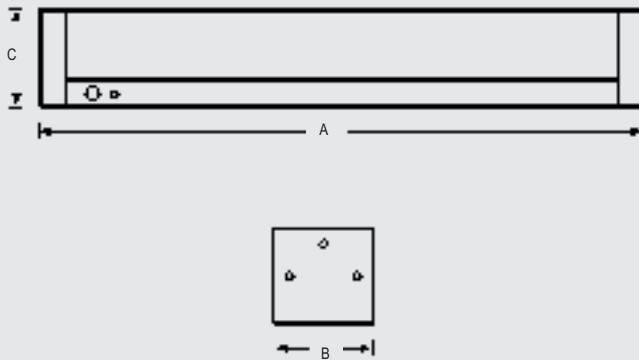
- Pilot light and test switch.

#### Power Requirements

Dual Voltage 120/277Vac, 60Hz, 3.5W

### DIMENSIONS

Dimensions are approximate and subject to change.



### UNIT RATING CHART

| Model          | A       | B      | C      | Lamp Type |
|----------------|---------|--------|--------|-----------|
| FF-AM-1-20-120 | 24-1/4" | 4-1/2" | 4-3/8" | F20T12    |
| FF-AM-1-20-277 |         |        |        |           |
| FF-AM-2-20-120 |         |        |        |           |
| FF-AM-2-20-277 | 48-1/4" | 4-1/2" | 4-3/8" | F34T12    |
| FF-AM-1-34-120 |         |        |        |           |
| FF-AM-1-34-277 |         |        |        |           |
| FF-AM-2-34-120 | 48-1/4" | 4-1/2" | 4-3/8" | F32T8     |
| FF-AM-2-34-277 |         |        |        |           |
| FF-AM-1-32-120 |         |        |        |           |
| FF-AM-1-32-277 | 48-1/4" | 4-1/2" | 4-3/8" | F32T8     |
| FF-AM-2-32-120 |         |        |        |           |
| FF-AM-2-32-277 |         |        |        |           |

### ORDERING FORMAT

| Series | No. of Lamp Sockets | Capacity Indicator | Fixture Voltage |
|--------|---------------------|--------------------|-----------------|
| FF-AM  | -2                  | -20                | -120            |





# AM-L & AM-L-2 Series

**Fluorescent T-Bar Power Pack**  
**Sealed Maintenance-Free Nickel-Cadmium Battery**  
**UL Listed**

The AM-L & AM-L-2 Series Fluorescent T-Bar power packs are a cost-efficient solution for conversion of new or existing fluorescent fixtures into emergency lighting units. This series are ideally suited for commercial applications.

## FEATURES

### Reliability

The AM-L & AM-L-2 Series has a three -year full warranty.

### Unit Data

This Series consists of an AM7 fluorescent pack secured to upper surface (interior) of a metal panel. AM-L units will light one lamp in any 2, 4, 6 or 8ft. fluorescent fixture. The AM-L-2 units will light two lamps in any four lamp 2, 4, 6, or 8 ft. fluorescent fixture. Panel is installed into dropped ceiling, adjoining fluorescent fixture. Location of fluorescent pack outside of fixture eliminates heat problems and the need to fit pack into fixture channel. Text switch and pilot light are located on the lower surface (exterior) of the panel for easy access. Units can be easily wired to the fluorescent fixture according to the wiring diagrams.

### Pulse Type Charger

The inverter circuit shall be of solid state design of the ferroresonant type. It shall operate all standard 2, 4, 6 or 8 ft. lamps.

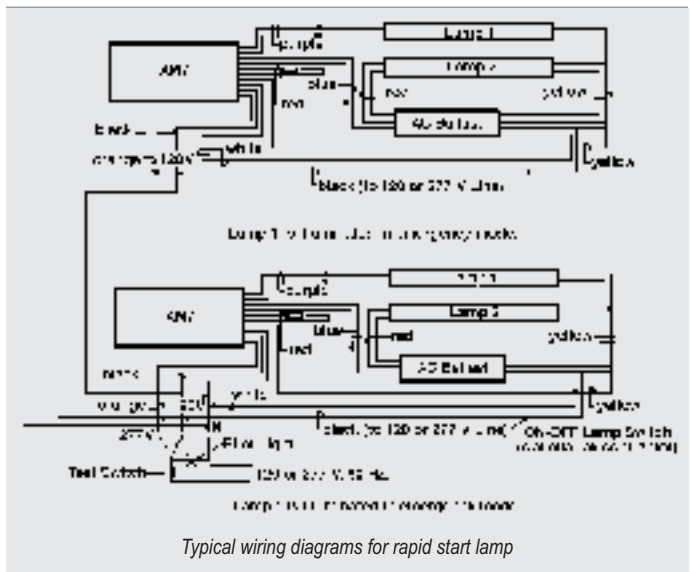
Charging is fully automatic by a solid state constant potential type charger. It is temperature compensated to assure optimum battery life.

The transfer circuit connects the lamp to the battery when there is a failure of the normal power supply and returns it to the utility source when normal power returns. A solid state line-latched low voltage disconnect circuit disconnects the lamp from the battery when the battery voltage drops to about 80% of nominal to protect the battery from a deep discharge.

### Power Requirements

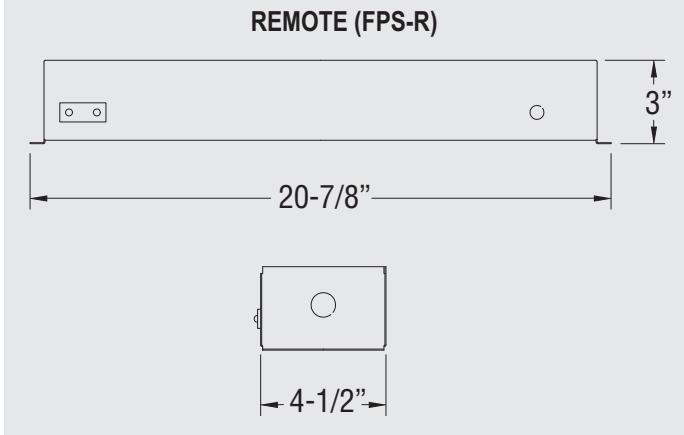
Input requirement 120/277Vac, 60Hz – 10 watts for inverter-charger (wattage of lamp to be added to this).

## AM-L-2 WIRING DIAGRAM

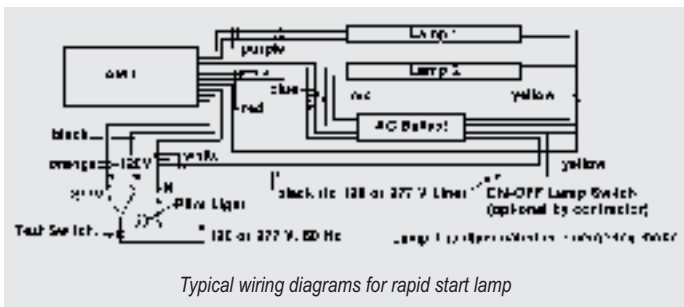


## DIMENSIONS

Dimensions are approximate and subject to change.



## AM-L WIRING DIAGRAM



## ORDERING FORMAT

|        |
|--------|
| AM-L   |
| Series |

