



# AM-L & AM-L-2 Series

**Fluorescent T-Bar Power Pack**  
**Sealed Maintenance-Free Nickel-Cadmium Battery**  
**UL Listed**

The AM-L & AM-L-2 Series Fluorescent T-Bar power packs are a cost-efficient solution for conversion of new or existing fluorescent fixtures into emergency lighting units. This series are ideally suited for commercial applications.

## FEATURES

### Reliability

The AM-L & AM-L-2 Series has a three -year full warranty.

### Unit Data

This Series consists of an AM7 fluorescent pack secured to upper surface (interior) of a metal panel. AM-L units will light one lamp in any 2, 4, 6 or 8ft. fluorescent fixture. The AM-L-2 units will light two lamps in any four lamp 2, 4, 6, or 8 ft. fluorescent fixture. Panel is installed into dropped ceiling, adjoining fluorescent fixture. Location of fluorescent pack outside of fixture eliminates heat problems and the need to fit pack into fixture channel. Text switch and pilot light are located on the lower surface (exterior) of the panel for easy access. Units can be easily wired to the fluorescent fixture according to the wiring diagrams.

### Pulse Type Charger

The inverter circuit shall be of solid state design of the ferroresonant type. It shall operate all standard 2, 4, 6 or 8 ft. lamps.

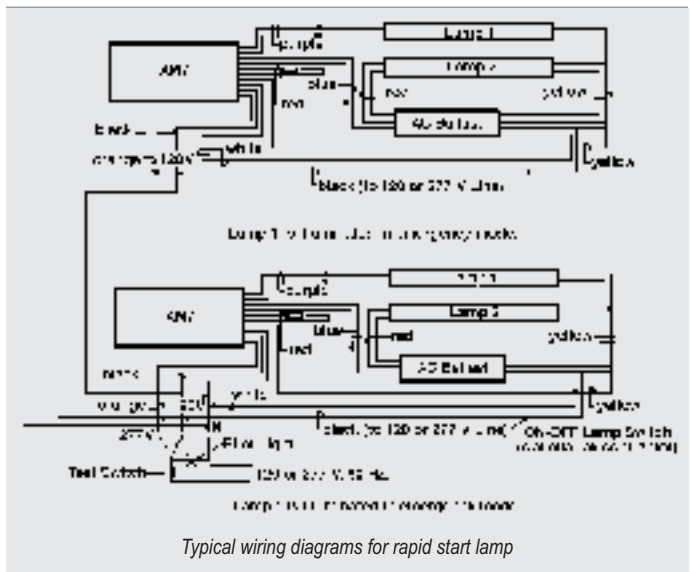
Charging is fully automatic by a solid state constant potential type charger. It is temperature compensated to assure optimum battery life.

The transfer circuit connects the lamp to the battery when there is a failure of the normal power supply and returns it to the utility source when normal power returns. A solid state line-latched low voltage disconnect circuit disconnects the lamp from the battery when the battery voltage drops to about 80% of nominal to protect the battery from a deep discharge.

### Power Requirements

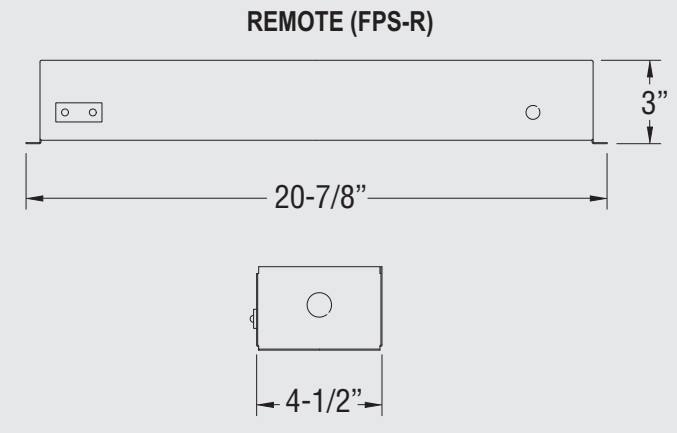
Input requirement 120/277Vac, 60Hz – 10 watts for inverter-charger (wattage of lamp to be added to this).

## AM-L-2 WIRING DIAGRAM

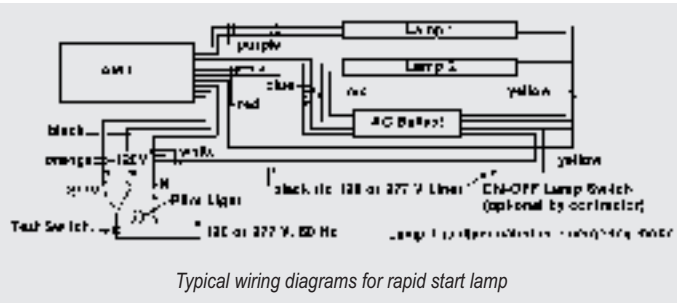


## DIMENSIONS

Dimensions are approximate and subject to change.



## AM-L WIRING DIAGRAM



## ORDERING FORMAT

AM-L
Series