

AM30 Series



- Emergency Power Packs
- T8 or T12 Fluorescent Lamps
- Sealed Maintenance-Free Nickel-Cadmium Battery
- UL Listed

The AM30 Series designed for use with most T5 or T8 fluorescent lamps. They are ideal for use in linear lighting fixtures where ballast space is limited.

FEATURES

Reliability

The AM30 Series has a five-year full warranty.

Unit Data

The housing of the AM30 consists of a single, sealed housing compartment containing the battery, battery charger, transfer circuit and high frequency inverter. A pilot light and test switch shall be provided. The AM30 comes standard with a 24" flex conduit on one end of the housing.

The AM30 can cold start and operate most 2'-8", single bi-pin T8 and T12 HO or VHO linear, 42-watt 4-pin lamp and long compact.

Emergency capabilities of the AM30 are one (1) 2'-8" or two (2) 2'-4' for a minimum of 90 minutes. Only one (1) long compact fluorescent lamp may be operated in the emergency mode.

The AM30 is designated for installation on top of the fixture or can be remote from the fixture.

Charger

- Fully automatic solid state charger.
- Automatic transfer relay energizes lamp instantaneously upon failure of normal AC supply.
- Low voltage disconnect prevents overdischarge of battery.
- External test switch and pilot light.

Power Requirements

Dual Voltage 120/277Vac, 60Hz, 3.5 watts

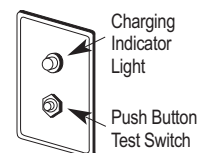
ACCESSORIES

(Order as a separate item)

Remote Test Switch (Metal faceplate).....PSW

Remote Test Switch (Plastic faceplate).....PSW1

Recommended for inaccessible locations. Test

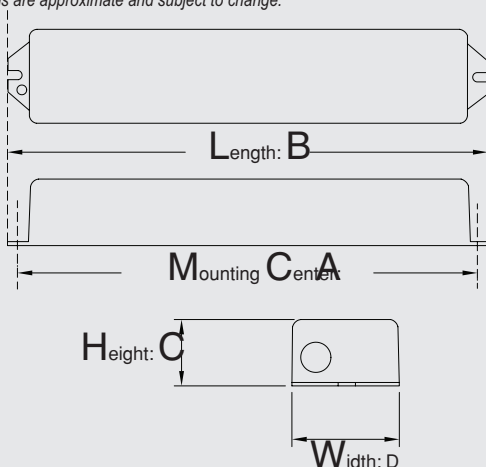


UNIT SELECTION CHART

LUMEN OUTPUT	LAMPS OPERATED	EMERGENCY OPERATION
(1) Lamp - 3000 lumens	Most 2'-8' single, bi-pin, T8 & T12, HO or VHO linear, 42W 4-pin and long compact fluorescent lamps	90 Minutes
(2) Lamps - 1500 lumens Per lamp		(1) 2'-8" or (2) 2'-4"

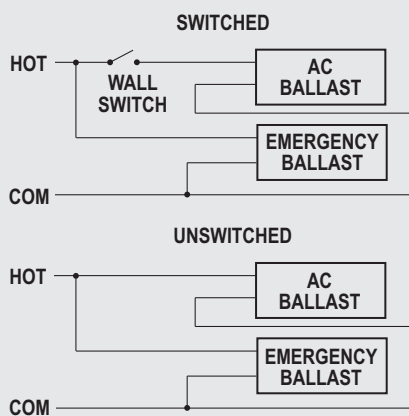
DIMENSIONS

Dimensions are approximate and subject to change.



Model	Dimensions (inches)			
	a	b	c	d
AM30	15 7/8"	16 3/8"	3"	3"

DIAGRAM



Primary circuit only. Lamp leads not shown.

ORDERING FORMAT

AM30

Series