



LAPHR Series

Normally off steel egress luminaire

Designed to work with Lightalarms® mini inverters in emergency mode

Housing

- 20ga steel housing, factory white or black finish
- Choice of 2, 3 or 4 integrated LED egress lamps

Installation

- Suitable for mounting heights between 20 to 70ft, double lamps for better coverage at greater heights
- Universal wall, ceiling, end or pendant mount (pendant kits sold separately)
- Compatible with standard 4in. junction box
- Two-wire universal input, from a mini inverter or other back-up system, for 120-277VAC or 347-480VAC, 50/60Hz

Optics

- Advanced fixed optics with 355° range of rotation and simplified aiming
- 900 lumens per 7W LED lamp
- Asymmetric lens offers unmatched uniformity with min:max ratio starting at 1:1.1

Approvals

- Certified to UL924 and CSA 22.2 No.141 standards
- Dry and damp location listed for a wide range of operating temperatures:
 - Models 02 & 03: -40°F to 122°F
 - Model 04: -40°F to 104°F
- Please visit our website at: www.lightalarms.com

Mini inverter model					
VAC	Luminaire Model	400W	720W	1000W	1500W
120V	02	21	38	54	81
	03	14	26	37	56
	04	11	20	28	42
277V	02	18	33	46	69
	03	13	24	34	51
	04	10	19	27	41

Number of luminaires based on de-rating mini inverters to 90% of rated capacity and applying a 0.9 PF correction to the luminaire's rated consumption.



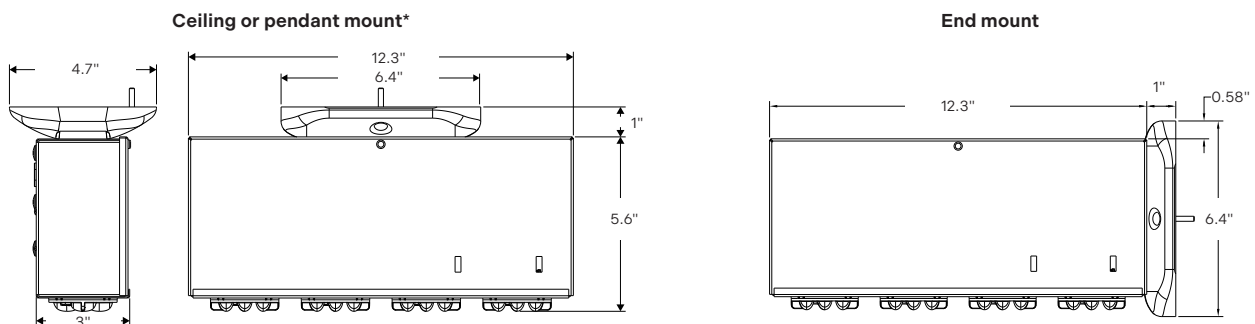
Input electrical ratings (fixture)

Model	Vac	Hz	A	W	P.F.
02	120-277	50/60	0.15-0.08	18	>0.9
03			0.2-0.1	23	
04			0.29-0.13	34	
02	347-480 ¹		0.07-0.06	20	
03			0.09-0.07	28	
04			0.12-0.09	36	

¹Central back-up system is required. The mini inverter is only available for 120-277VAC.

Dimensions

Dimensions are approximate and subject to change. For wall mount dimensions, use overall dimensions of housing and lamps (excluding canopy).



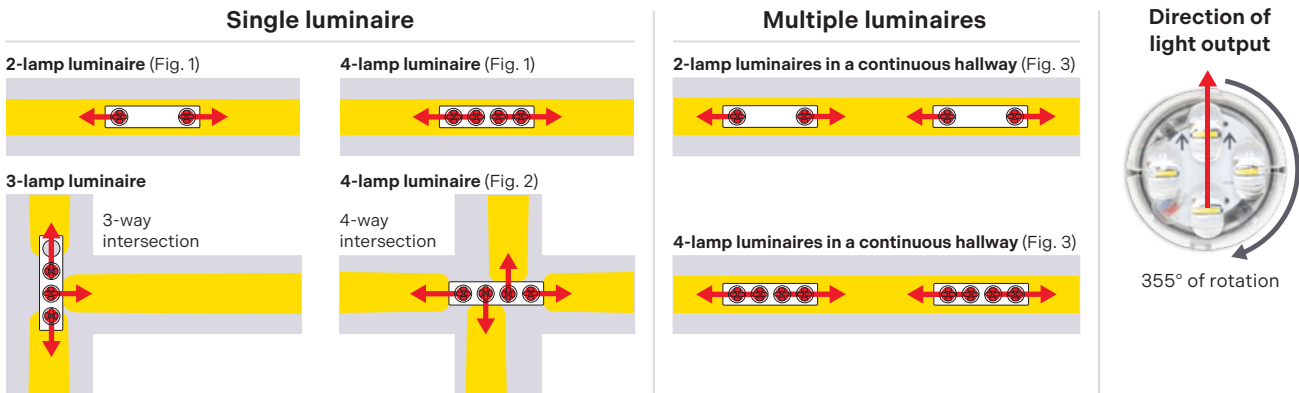
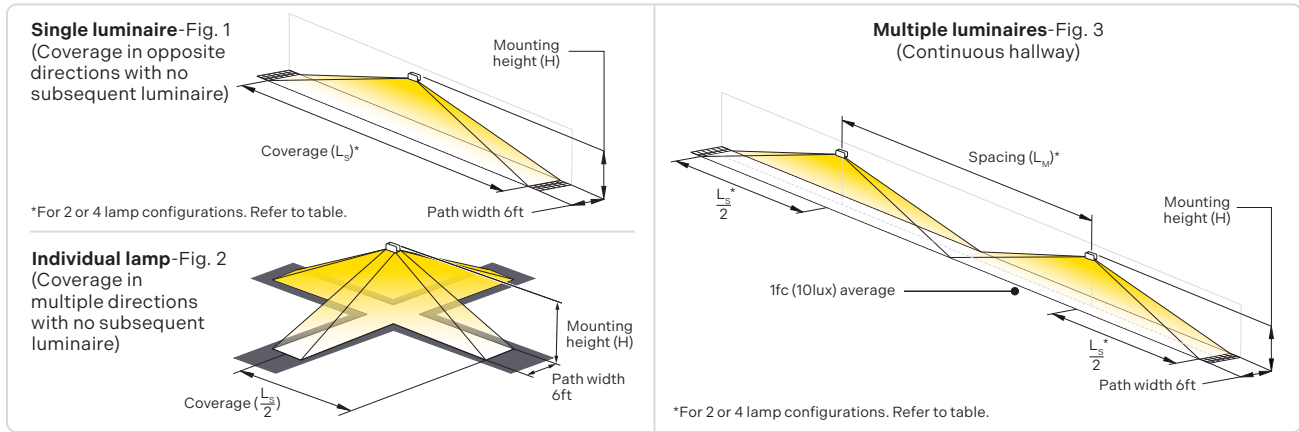
*Pendant mount installation can be achieved without the use of a canopy. Refer to instruction sheets for more information.

Lamp coverage with superior lighting levels based on mounting heights

IES files available for more details on photometric performance

L_s - Single luminaire coverage (ft) ¹					L_M - Multiple luminaire spacing (ft) ¹				
H - Mounting height (ft)	2 lamp configuration		4 lamp configuration		H - Mounting height (ft)	2 lamp configuration		4 lamp configuration	
	Center of aisle	Wall mounted	Center of aisle	Wall mounted		Center of aisle	Wall mounted	Center of aisle	Wall mounted
20	74	66	-	-	20	82	74	-	-
30	118	102	-	-	30	118	110	-	-
40	96	56	168	164	40	108	94	192	190
50	-	-	182	168	50	88	78	188	172
60	-	-	132	116	60	62	50	160	148
70	-	-	60	34	70	-	-	132	128

¹Respects minimum requirements per Life Safety Code (min. 0.1FC, average of 1FC and max/min ratio of 40:1). Assumed ceiling height of 70ft and ceiling, wall and floor reflectance of 40-50-20.



Accessories (order as a separate item)

Series	Product code
Pendant white	GRA-P*-WT
Pendant black	GRA-P*-BK
Example: GRA-P12-WT	[*] Specify pendant lengths in increments of 6" (ex: 6", 12", 24", etc). Other lengths available upon request. Consult your sales representative.

How to order

Series	Number of lamps	Color	Voltage
LAPHR= Egress steel luminaire	02= Two lamps 03= Three lamps 04= Four lamps	W= Factory white B= Black	UN= 120 to 277 VAC, 50/60Hz UN2= 347 to 480 VAC, 50/60Hz

Example: **LAPHR04BUN**