

# LAMM Series

## Mullion mount LED fixture

### Housing

- Extruded aluminum enclosure
- UV-resistant silver powder-coated paint
- Lamp head can be adjusted and fixed at angles from 0° to 180°

### Mounting

- Ceiling, surface, and wall mount
- Waterproof junction box included
- Indoor/outdoor; suitable for wet locations
- Maximum mounting height: 10 feet from floor

### Electrical

- Dual-function fixture: normally ON or emergency operation (-SP option required for emergency mode, see next page)

- **AC Mode:** 120-277 VAC, 60Hz
- **DC Mode:** 6-24 VDC
- **AC power consumption:** 11W
- **DC Power Consumption:** 8.5W
- **Color temperature:** 4000K
- **Performance:**
  - AC Mode:** 1000 lumens
  - DC Mode:** 900 lumens

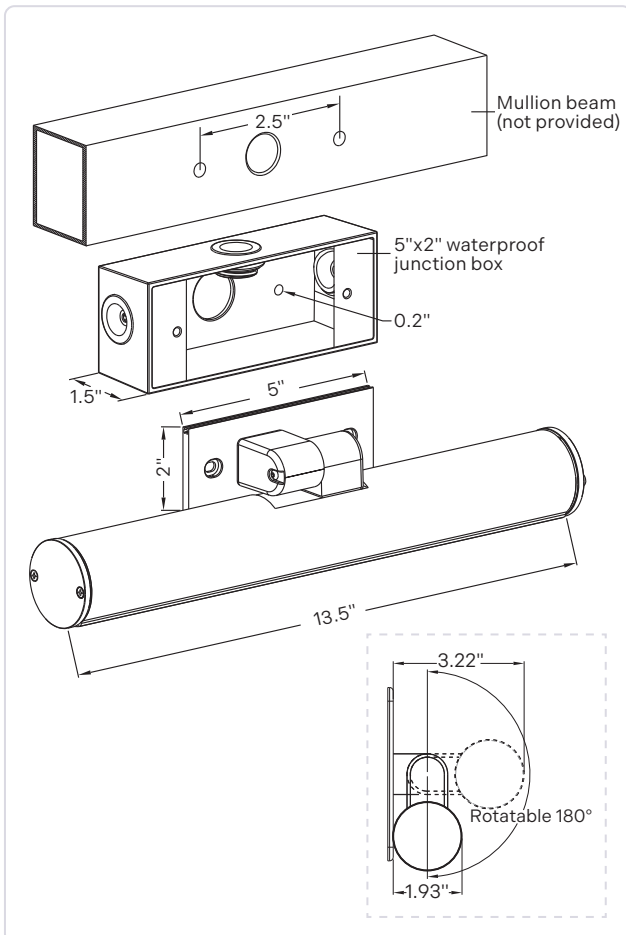
### Approvals

- cULus listed
- IP66 rated
- IK10 rated
- Wet location -22°F to 122°F (-30°C to 50°C)

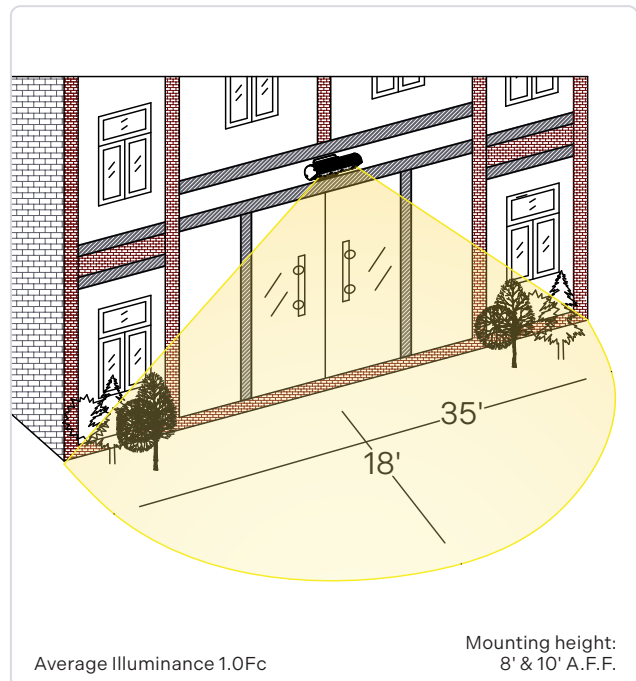


### Dimensions

Dimensions are approximate and subject to change.



### Photometric performance



# LAMM Series (continued)

External Emergency Power Supply (included with luminaire in **-SP** option)



## Housing

- Extruded aluminum housing
- UV-resistant silver powder-coated paint
- Button and LED indicator on exterior faceplate for manual testing of the mullion mount in emergency mode

## Mounting

- Direct mounting into 3 gang masonry or 3 gang cable box (not included)
- **Remote Mount:**  
26ft from luminaire, with 16 gauge wire  
20ft from luminaire, with 18 gauge wire
- For indoor use only



## Electrical

- **AC Input:** 120-277 VAC, 60Hz, 6W (17W with luminaire)
- **DC Output:** 6-24 VDC Max 1.5A
- Overload/short circuit protection
- LiFePO4 battery

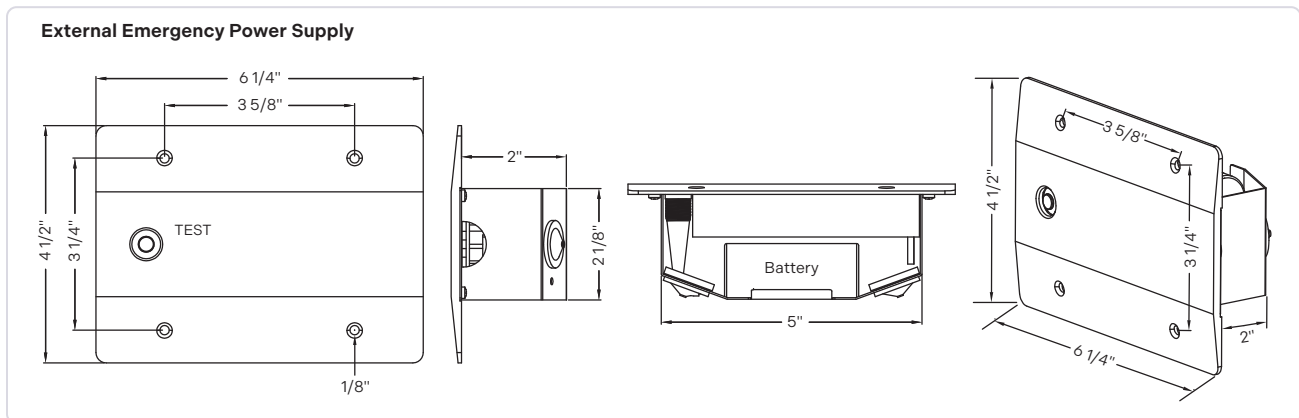
## Approvals (for EM Power Supply only)

- UL 924 listed
- Damp location 41°F to 122°F (5°C to 50°C)



## Dimensions

Dimensions are approximate and subject to change.



## How to order

Series	Options	Color
<b>LAMM</b> = Mullion mount LED fixture	<b>-ACDC</b> = 120-277 VAC 60Hz and 6-24 VDC <b>-SP</b> = With remotely-mounted emergency power supply	<b>Blank</b> = Aluminum <b>B</b> = Black <b>DB</b> = Dark bronze <b>W</b> = White