

WL Series

Wet Location Exit



IMPORTANT SAFEGUARDS

When using electrical equipment, basic safety precautions should always be followed including the following:

READ AND FOLLOW ALL SAFETY INSTRUCTIONS

1. All servicing should be performed by qualified service personnel.
2. Disconnect battery before servicing (Self powered only).
3. Installation and electrical connections must comply with local codes and regulations.
4. All unused wires must be capped to prevent shorting.
5. Do not use outdoors.
6. Do not let power supply cords touch hot surfaces.
7. Do not mount near gas or electric heaters.
8. Do not install damaged units.
9. Use caution when handling battery (Self powered only).
10. Equipment should be mounted in locations and at heights where it will not readily be subjected to tampering by unauthorized personnel.
11. The use of accessory equipment not recommended by the manufacturer may cause an unsafe condition, and will void the warranty.
12. Do not use this equipment for other than intended use.
13. Only use lamps specified by manufacturer to re-lamp.
14. Allow battery to charge for 24 hours before first use (Self powered only).

SAVE THESE INSTRUCTIONS

Installation Instructions

1. Turn off AC power.
2. Route AC unswitched circuit of rated voltage into junction box and leave 6" of wire length.
3. Open unit by loosening screws on lens (Fig. 1).
4. Remove lens and stencil, set aside for re-installation.
5. Refer to proper section according to preferred installation.

Wall mount (Figure 1)

1. Install spider plate to junction box with junction box screws.
2. Knock out proper hole pattern in back plate to mount to a standard junction box (including the large wire hole) by placing a support on either side of the holes to be removed and knock out with a screwdriver.
3. Remove backing from junction box gasket and install to back plate.
4. Route unit wires out through center hole of back plate.
5. Make the proper wire connections: (Fig. 5 AC) or (Fig. 6 self-power)
 - a. 120Vac to 347Vac connect purple wire to building utility.
 - b. Connect white wire to neutral of building utility.
6. Feed excess wires into junction box.
7. Mount unit securely to spider plate using the screws provided.
8. If directional chevrons are needed: remove diffuser panel, punch out required chevron(s), re-install diffuser panel.

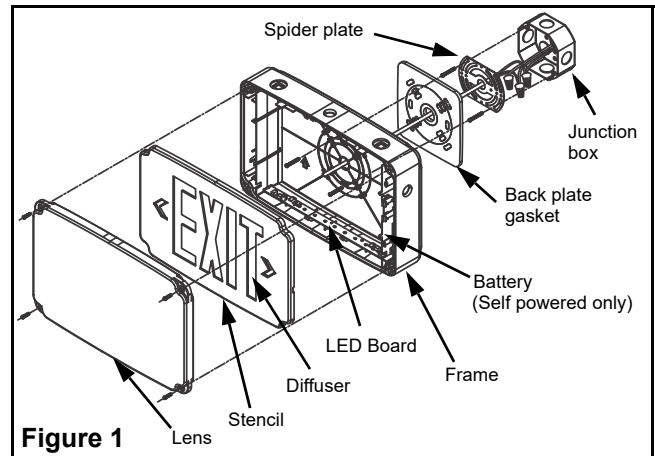


Figure 1

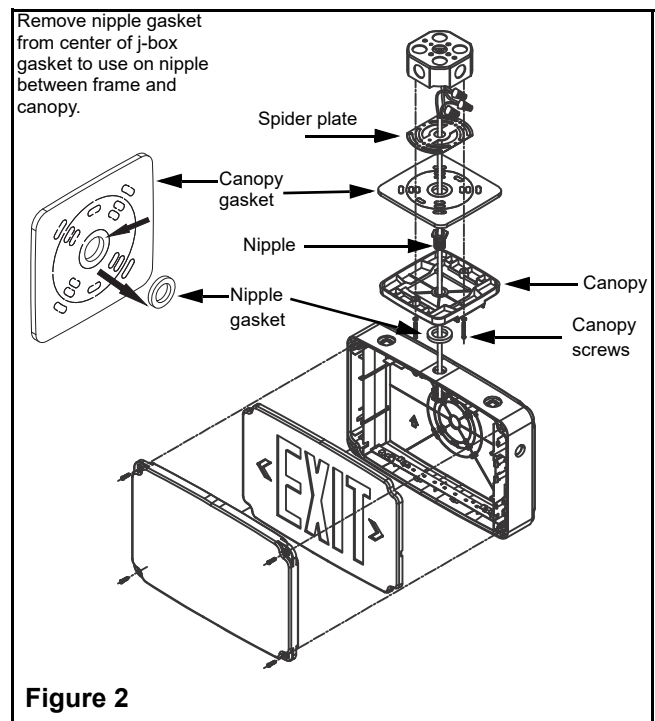


Figure 2

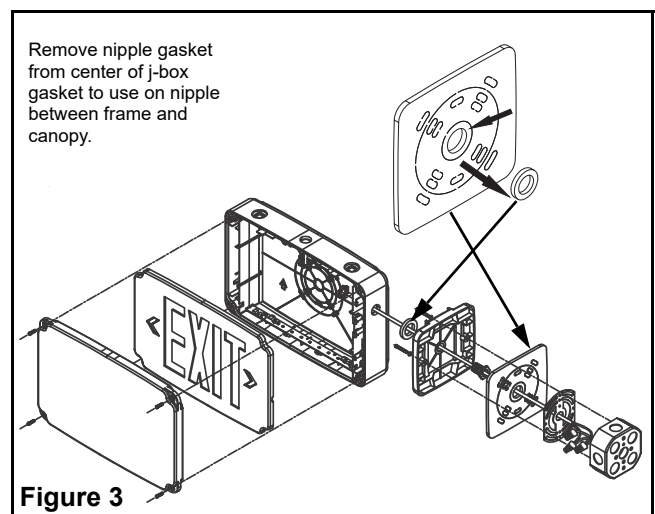


Figure 3

9. Self-powered model only: Connect battery to circuit board.
10. Re-install lens and stencil to frame.
11. Turn on AC power and press test button to check operation (AC unit only) (For self-powered units see "Manuel Testing").

Ceiling & End Mount (Figure 2 & 3)

1. Install spider plate to junction box with junction box screws.
2. Depending on mounting configuration: drill a 3/4" hole through the mounting knock out (top of frame for ceiling mount) (side of frame for end mount).
3. Thread one nut onto nipple and insert it into the center hole of canopy.
4. Remove backing from nipple gasket and slide onto nipple between the canopy and frame, then insert nipple/canopy assembly into the drilled 3/4" hole of frame.
5. Thread the second nut onto nipple inside frame and tighten nut.
6. Remove backing from junction box gasket and install onto canopy.
7. Route unit wires out through nipple of frame/canopy assembly.
8. Make the proper wire connections: (Fig. 5 AC) or (Fig. 6 self-power)
 - a. 120Vac to 347Vac connect purple wire to building utility.
 - b. Connect white wire to neutral of building utility.
9. Feed excess wires into junction box.
10. Install frame/canopy assembly to spider plate using the screws provided.
11. If directional chevrons are needed: remove diffuser panel, punch out required chevron(s), re-install diffuser panel.
12. Self-powered model only: Connect battery to circuit board.
13. Re-install lens and stencil to frame.
14. Turn on AC power and press test button to check operation (AC unit only) (For self-powered units see "Manuel Testing").

Conduit Entry

1. Drill a 3/4" hole through the desired conduit entry knock out located on the top or side of frame.
2. Route AC unswitched circuit of rated voltage into frame.
3. All conduit connections must be UL rated for wet locations.
4. Reference Wall, Ceiling or End mount to finalize installation.

Manual Testing (Self-Powered only)

1. Turn on AC power, the LED indicator will be red.
2. Allow battery to charge for 24 hours before testing.
3. Push test switch. Led indicator turns OFF and LED board stays ON.
4. Release test switch, LED indicator turns red and LED board stays ON.

Maintenance

None required.
 Unit must be tested monthly for 1 minute and annually for 90 minutes in accordance with safety and local codes.
 For battery-operated units: if AC supply to the unit is to be disconnected for 2 months or more, the battery must be disconnected.

Warranty:

This unit comes with a 3 year limited warranty and a 2 year warranty on the battery.

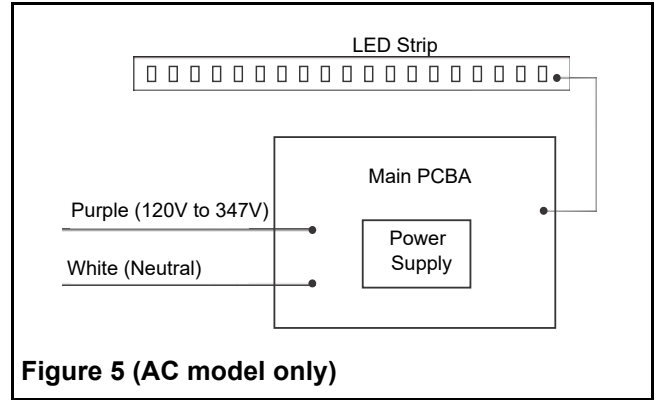


Figure 5 (AC model only)

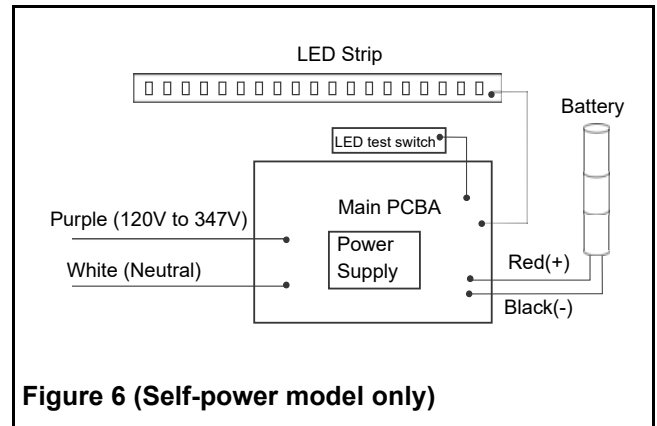


Figure 6 (Self-power model only)