


WL Series

Wet Location Exit Combo


WARNING:
 Risk of Electrical Shock.

Disconnect Power before Installation and Maintenance.


IMPORTANT:
 Install product no higher than
 the maximum mounting
 height of 20 feet from floor.

IMPORTANT SAFEGUARDS

When using electrical equipment, basic safety precautions should always be followed including the following:

READ AND FOLLOW ALL SAFETY INSTRUCTIONS

1. All servicing should be performed by qualified service personnel.
2. Disconnect battery before servicing.
3. All electrical connections must comply with local codes and regulations.
4. All unused wires must be capped to prevent shorting.
5. Do not use outdoors.
6. Do not let power supply cords touch hot surfaces.
7. Do not mount near gas or electric heaters.
8. Do not install damaged units.
9. Use caution when handling battery.
10. Equipment should be mounted in locations and at heights where it will not readily be subjected to tampering by unauthorized personnel.
11. The use of accessory equipment not recommended by the manufacturer may cause an unsafe condition, and will void the unit warranty.
12. Do not use this equipment for other than intended use.
13. Re-lamp using only lamps specified by the manufacturer.
14. Allow battery to charge for 24 hours before first use.

SAVE THESE INSTRUCTIONS

Installation Instructions

1. Turn off AC power.
2. Route AC unswitched circuit of rated voltage into electrical box and leave 6" of wire length.
3. Open unit by loosening screws on lens (Fig. 1 & 2).
4. Remove lens and stencil, set aside for re-installation.
5. Refer to proper section below according to preferred installation.

Wall mounting (Figure 1)

1. Install spider plate to junction box with junction box screws.
2. Knock out proper hole pattern in back plate to mount to a standard junction box (including the large wire hole) by placing a support on either side of the holes to be removed and knock out with a screwdriver.
3. Remove backing from junction box gasket and install to back plate.
4. Route unit wires out through center hole of back plate.
5. Make the proper wire connections: (Fig. 3)
 - a. 120Vac to 347Vac connect purple wire to building utility.
 - b. Connect white wire to neutral of building utility.
6. Feed excess wires into junction box.
7. Mount unit securely to spider plate using the screws provided.
8. If directional chevrons are needed: remove diffuser panel, punch out required chevron(s), re-install diffuser panel.
9. Connect battery to circuit board.
10. Re-install lens and stencil to frame.

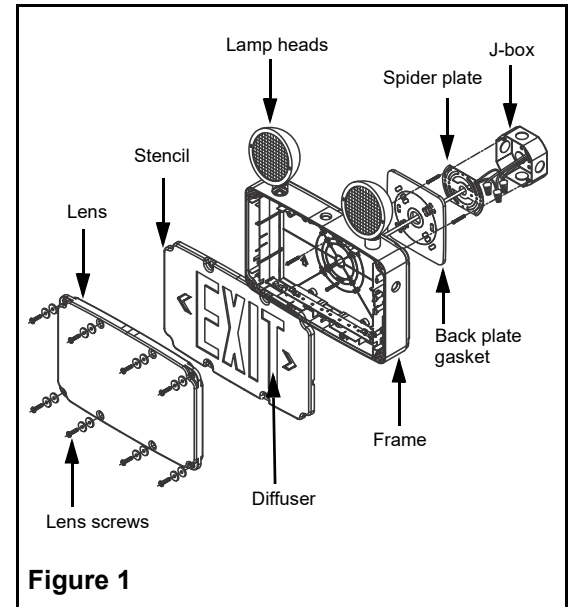


Figure 1

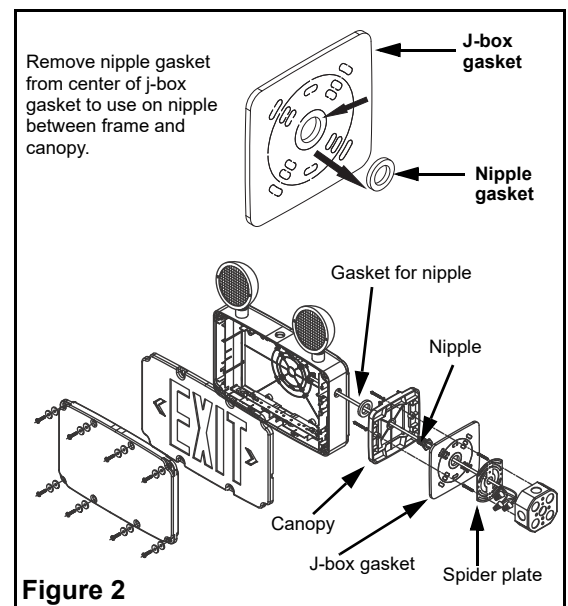


Figure 2

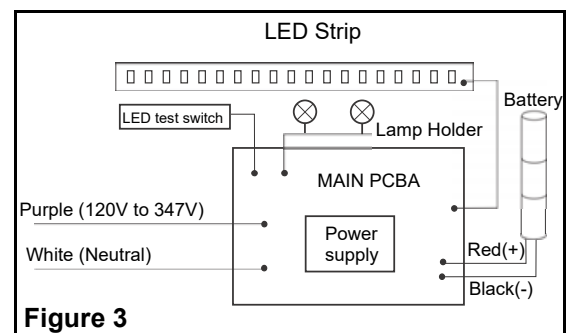


Figure 3

11. Turn on AC power and press test button to check operation.

End Mount (Figure 2)

1. Install spider plate to junction box with junction box screws.
2. Drill a 3/4" hole through the mounting knock out on the side of frame.
3. Thread one nut onto nipple and insert it into the center hole of canopy.
4. Remove backing from nipple gasket and slide onto nipple between the canopy and frame then insert nipple/canopy assembly into drilled 3/4" hole of frame.
5. Thread the second nut onto nipple inside the frame and tighten nut.
6. Remove backing from junction box gasket and install onto canopy.
7. Route unit wires out through nipple of frame/canopy assembly.
8. Make the proper wire connections: (Fig. 3)
 - a. 120Vac to 347Vac connect purple wire to building utility.
 - b. Connect white wire to neutral of building utility.
9. Feed excess wires into junction box.
10. Install frame/canopy assembly to spider plate using the screws provided.
11. If directional chevrons are needed: remove diffuser panel, punch out required chevron(s), re-install diffuser panel.
12. Connect battery to circuit board.
13. Re-install lens and stencil to frame.
14. Turn on AC power and press test button to check operation.

Conduit Entry

1. Drill a 3/4" hole through the desired conduit entry knock out located on the top or side of frame.
2. Route AC unswitched circuit of rated voltage into frame.
3. All conduit connections must be UL rated for wet locations.
4. Reference Wall or End mount to finalize installation.

Manual Testing

1. Allow battery to charge for 24 hours before testing.
2. Push test switch. Led indicator turns OFF and LED board stays ON.
3. Release test switch, LED indicator turns red and LED board stays ON.

Maintenance

None required.

Unit should be tested monthly for 1 minute and annually for 90 minutes in accordance with safety and local codes.

If AC supply to the unit is to be disconnected for 2 months or more, the battery must be disconnected.

Warranty:

This unit comes with a 3 year limited warranty and a 2 year warranty on the battery.