

# Thermoplastic Repeater Nexus RF

## IMPORTANT SAFEGUARDS

When using electrical equipment, basic safety precautions should always be taken including the following:

## READ AND FOLLOW ALL SAFETY INSTRUCTIONS

1. Do not use outdoors.
2. Do not let power supply cord touch hot surfaces.
3. Do not mount near gas or electric heaters.
4. Equipment should be mounted in locations and at heights where it will not readily be subjected to tampering by unauthorized personnel.
5. The use of accessory equipment not recommended by the manufacturer may cause an unsafe condition.
6. Do not use this equipment for other than intended use.
7. All servicing and installation should be performed by qualified service personnel.

## SAVE THESE INSTRUCTIONS

### Installation Instructions

1. Remove the front cover using a coin or a screwdriver at the top or bottom of the door.
2. Determine the mounting position (wall or ceiling). Note: canopy is required for ceiling mount only.
3. Locate an area within close proximity of a 120V wall outlet to install the unit.

**4. Important! Adequately secure the frame to the wall (wall mount) or the spider plate to the ceiling (ceiling mount) such that the installation can resist to a static downward load of 5 kg (12lbs).**

### Wall mounting

- a. No canopy required. You may use the available knock-outs to facilitate the installation. If so, with the help of a flat head screwdriver, knock out the hole pattern in the back cover to mount it to the wall (see Fig. 1).

### Ceiling mount

- a. Canopy required. Remove top hole plug. Remove the canopy lock(13) (if supplied). Snap canopy on top of frame(2) (see Fig. 2). Re-install the canopy lock (if supplied). Screw canopy to frame. In the case where a canopy lock is supplied, you may refrain from screwing the canopy to the frame. However, for applications having a greater risk of exposure to abnormal impacts, we suggest to always use the canopy housing screw(12) (Fig. 1 and 2).
  - b. Slide ribs on canopy into designated notches on the spider plate (see Fig. 2). Secure the canopy to the ceiling using the canopy screw provided(12).
5. Ensure the antenna is installed vertically as shown (6).
  6. Reinstall front cover.
  7. Connect power supply.

### Status LED

o	Green	Steady On	AC On
o	Yellow	Steady On	Server Failure
-o	Yellow	Blinking	Wink Mode
-o-o	Yellow/Green	Blinking	Unit not Commissioned

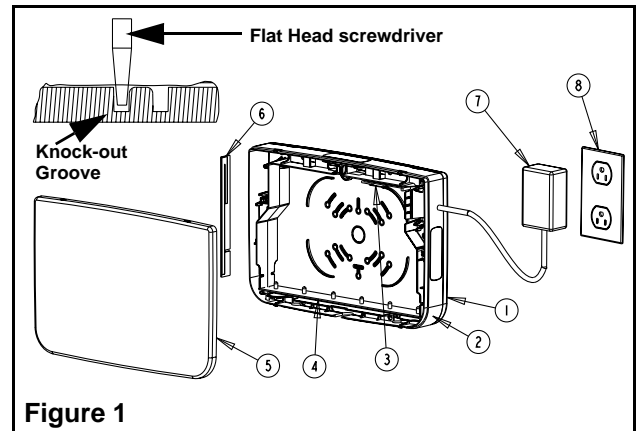


Figure 1

### Part List

- |                   |                                       |
|-------------------|---------------------------------------|
| 1. Back plate     | 8. Wall receptical                    |
| 2. Frame          | 9. Canopy (ceiling mount only)        |
| 3. Nexus RF modem | 10. Spider plate (ceiling mount only) |
| 4. Mother board   | 11. Canopy plate screw                |
| 5. Front cover    | 12. Canopy housing screw              |
| 6. RF Antenna     | 13. Canopy lock                       |
| 7. Power supply   |                                       |

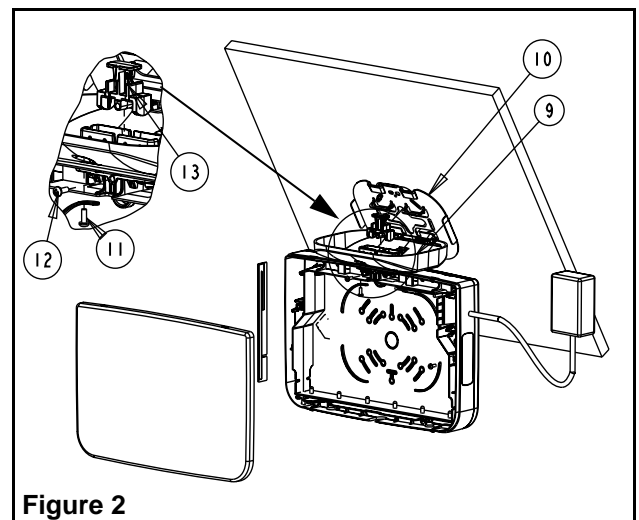


Figure 2

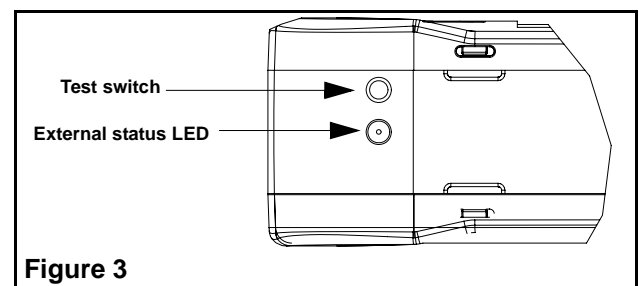


Figure 3

## FCC Statement addendum

This device complies with part 15 of the FCC rules.

## FCC ID: W3BGC822843

This equipment has been tested and found to comply with the limits for a Class B digital device, pursuant to Part 15 of the FCC rules. These limits are designed to provide reasonable protection against harmful interference in a residential installation. This equipment generates, uses, and can radiate radio frequency energy and, if not installed and used in accordance with the instructions, may cause harmful interference to radio communications. However, there is no guarantee that interference will not occur in a particular installation. If this equipment does cause harmful interference to radio or television reception, which can be determined by turning the equipment off and on, the user is encouraged to try to correct the interference by one or more of the following measures:

1. Reorient or relocate the receiving antenna.
2. Increase the separation between the equipment and receiver.
3. Connect the equipment to an outlet on a circuit different from that to which the receiver is connected.
4. Consult the dealer or an experienced radio/TV technician for help.



**IMPORTANT!** Changes or modifications not covered in this addendum must be approved in writing by the manufacturer's Regulatory Engineering Department. Changes or modifications made without written approval may void the user's authority to operate this equipment.

## Industry Canada

The term "IC:" before the certification/registration number only signifies that the Industry Canada technical specifications were met.

**IC: 8100A-GC822843**

## Canadian Wireless Regulatory

This Class B digital apparatus meets all the requirements of the Canadian Interference Causing Equipment Regulations. Operation is subject to the following two conditions: a) this device may not cause any interference, and b) this device must accept any interference, including interference that may cause undesired operation of the device. To prevent radio interference to the licensed service, this device is intended to be operated indoors, and away from windows to prevent maximum shielding. Equipment (or its transmit antenna) that is installed outdoors is subject to licensing.

## Unauthorized Antenna Modifications

Use only the supplied integral antenna. Unauthorized antenna modifications or attachments could damage the unit and may violate FCC regulations. Any changes or modifications not expressly approved by the party responsible for compliance could void the user's authority to operate the equipment.

## Precautions against electrostatic discharge (ESD)

Make sure to discharge any built-up static electricity from yourself and your electronic measurement devices before touching this equipment. The recommendation from the dealer is that you take this precaution before installation and connecting this equipment.