

Edge-Lit Series

8" edge-lit exit sign



Ideal for areas with limited space, the Edge-Lit exit sign has a pivoting panel design for universal mounting: surface, recessed or end-mount. High-performance, low power consumption LEDs provide illumination.

Construction

Extruded aluminum housing

- Impact resistant thermoplastic plastic end caps and canopy
- High grade acrylic panel
- 8 inch EXIT lettering legend, available in red

Universal mount model

- Single face acrylic panel with clear background, double face acrylic panel with mirror background
Pivoting panel design allows for recessed surface, wall or ceiling mount installation
- A ratcheting mechanism allows the panel to be set in place from 0° to 180° for wall or sloped ceiling mounting
- Canopy included for surface wall, end or ceiling mount application
- Trim plate, 27 inch adjustable T-bar hangers and a junction box included for recessed application

Finishes

- Satin aluminum housing
- Gray end caps and canopy
- Comes with red on clear for single face and red on mirror for double face panel

Chevrons

- (4) Factory installed translucent chevrons, allowing for easy peel-off removal as required

LEDs

- Red long-life light emitting diodes (LED) illumination

Self-diagnostics

- Not available

Special wording panels

- Not available

Approvals

- Listed to UL 924 Standard
- UL listed for damp location (32°F to 104°F, 0°C to 40°C)
- Meets, NFPA101, (Life Safety Code) NFPA 70 NEC and OSHA illumination Standards

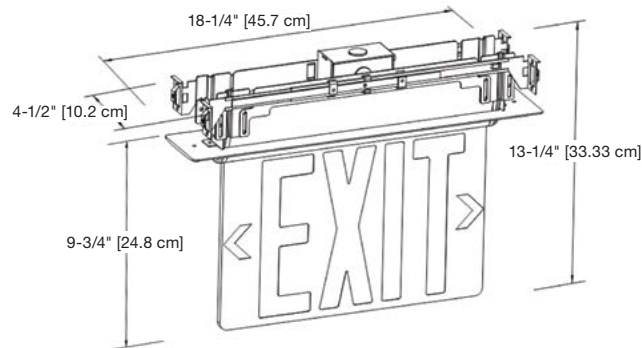
Warranty (subject to proper installation and maintenance)

- Three year full warranty

Detailed warranty terms located **online at:** www.lightalarms.com



Dimensions (Dimensions are approximate and subject to change):



Power consumption chart

Model	AC specs	DC specs
Red self-powered	120VAC, 60Hz (2.0-2.6W)	Ni-Cd battery (Min. 90 mins)
	277VAC, 60Hz (2.6-3.1W)	Ni-Cd battery (Min. 90 mins)

Ordering format

Legend	Series	Housing color	Legend color	Face
8 = 8" Exit with universal chevrons	UEN = Self-powered	AG = Brushed aluminum and gray end cap	RCM = Single red on clear Double red on mirror	3 = Universal faces
Example: 8UENAGRCM3				