

## CM-PB-LA Series

Miniature LED battery unit



BATTERY UNITS

### Housing

- UV stabilized thermoplastic body
- Two fully adjustable glare-free heads
- White finish

### Mounting

- Ceiling or wall mount
- Universal J-box mounting

### Lamp type

- Two 3.6V-2W LED heads, 150 lumens per head

### Electronics

- Pulse plus charger
- Low voltage disconnect
- Automatic brownout protection
- Battery lock-out
- Fused output circuit
- 120/277/347 50/60Hz

### Battery type

- 3.6V maintenance free rechargeable nickel-cadmium battery

### Approvals

- CSA-US (to UL 924 standards)
- Damp location (41°F to 86°F)
- UL 94, 5VA flame rated

### Warranty (subject to proper installation and maintenance)

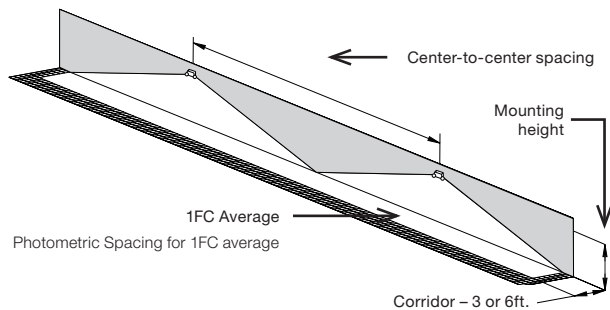
Unit: three-year full warranty

Detailed warranty terms located on **page 197 of the catalog** or online at: [www.lightalarms.com](http://www.lightalarms.com)

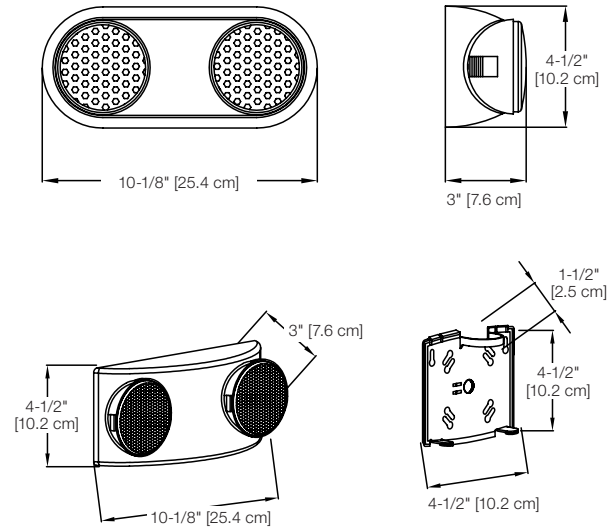


### Photometric performance

Spacing center-to-center (feet) – 7.5' mounting height	
3 foot corridor	6 foot corridor
39'	34'



**Dimensions** (Dimensions are approximate and subject to change)



**Power consumption chart**

Series	Voltage	Wattage	Current	AC Specs
				Efficiency
CM-PB-LA	120V, 50/60 Hz	1.6W	0.012A	0.96PF
	277V, 50/60 Hz	1.8W	0.007A	0.92PF
	347V, 50/60 Hz	2.4W	0.007A	0.92PF

**Ordering format**

Series	Voltage
CM-PB-LA	Blank= 120/277/347VAC

**Example: CM-PB-LA**