

RPR Series

Remote recessed architectural fixture



Construction

- Thermoplastic rectangular fixture with additional round trim-plate, white finish
- All-metal backbox enclosure
- Fixed optics, optimized light distribution for ceiling heights up to 12 ft.
- Four high-intensity LEDs with redundant connections; 140 lm/W, CCT 5000K

Options

- Plenum-rated enclosure
- Black thermoplastic decorative trim-plates
- Fixed, square light distribution pattern

Mounting

- Easily spring mounted in sheetrock ceiling
- Recessed installation in T-bar suspended ceilings

Electronics

- AC model compatible with Lightalarms® mini inverters
- DC model available with Lightalarms® 6-24 battery units

Approvals

- Listed UL-924 for damp locations: 50° to 104°F (10° to 40°C)
- Listed NSF, splash non-food zone

Warranty (subject to proper installation and maintenance)

Unit has a five-year limited warranty

Detailed warranty terms located online at: www.lightalarms.com



REMOTES & HEADS

Photometric performance

The RPR Series has a fixed lighting distribution, optimized by design for ceiling heights up to 12 ft. Along an office corridor the space coverage ranges from 68 to 80 feet. The square distribution pattern option covers a surface of more than 700 square feet.

Table A: Standard unit 6-ft wide corridor¹

Mounting height	Spacing center-to-center
9 ft	68 ft
10 ft	80 ft
12 ft	72 ft

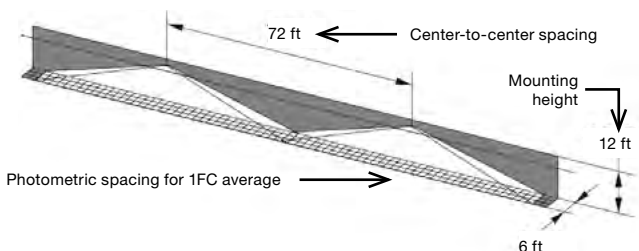
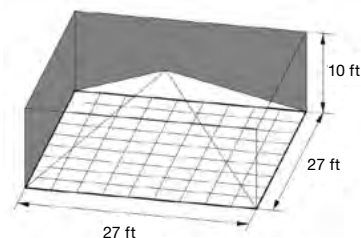


Table B: Option “square distribution pattern” – single unit coverage¹

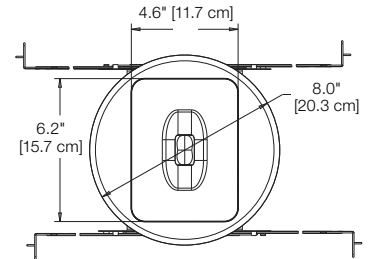
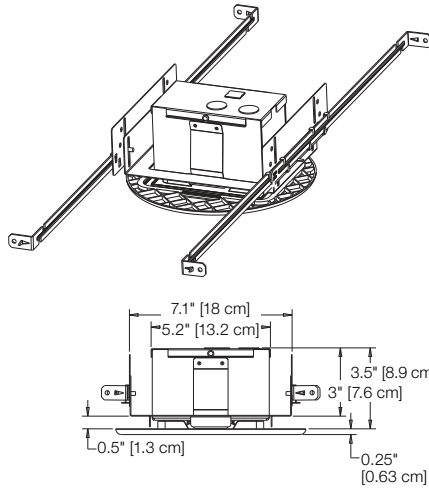
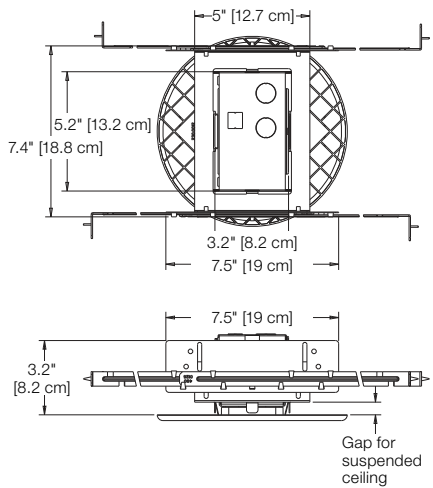
Mounting height	Room size	Room surface
10 ft	27 ft x 27 ft	729 square feet

¹Note: Illumination levels as per the Life Safety Code (NFPA 101): Average 1 fc, Minimum 0.1 fc, Max-to-min ratio 40:1. Typical reflectance levels of walls/ceiling/floor: 80/50/20.

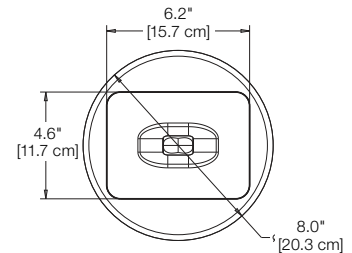
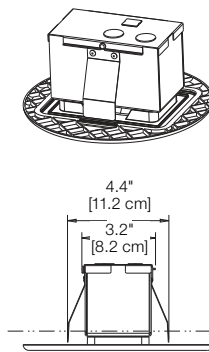
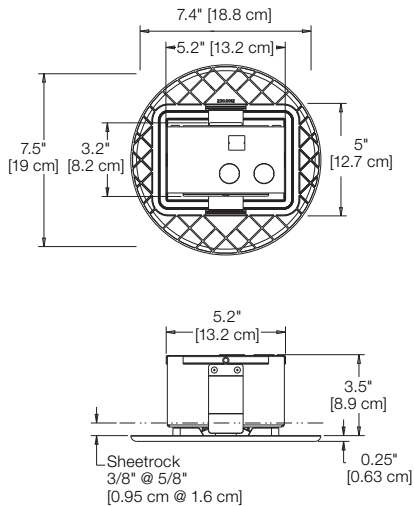


Dimensions (Dimensions are approximate and subject to change)

Recessed suspended ceiling mount



Recessed sheetrock ceiling mount



Power consumption and unit rating

AC Input (VAC)	Input current (A)	Input power (W)	Power factor
120	0.060		
240	0.030	7.0	0.95
277	0.025		

DC Input voltage (VDC)	Input power (W)
6-24	6.5

Ordering format

Series	Color	Voltage	Options
RPR= Recessed plastic remote fixture	B= Black W= Factory white	AC= 120 to 277VAC, 50/60Hz DC= 6 to 24VDC	Blank= No options P= Plenum/Type IC rated SQ= Square distribution pattern

Example: RPRWACSQ