

RP Series

Recessed architectural battery unit



Construction

- Thermoplastic rectangular fixture with additional round trim-plate, white finish
- All-metal backbox enclosure
- Optional black finish
- Fixed optics, optimized light distribution for ceiling heights up to 12 ft
- Four high-intensity LEDs with redundant connections; 140 lm/W, CCT 5000K

Options

- Standard unit 680 lumens
- Square distribution unit 717 lumens
- Plenum-rated enclosure
- Fixed, square light distribution pattern up to 12 ft. ceilings

Mounting

- Easily spring mounted in sheetrock ceilings
- Recessed installation in t-bar suspended ceilings



Remote test control

Electronics

- Infrared remote test control (up to 30ft)
- Self-test and diagnostic functions optional
- Two-wire universal AC input: 120 – 277VAC 50-60 Hz
- Battery full recharge in 24 hours
- 90 minutes of emergency lighting
- Optional time delay: 15 minutes
- Optional Nexus®Pro IOT emergency lighting central monitoring system
- Optional Power over Ethernet (requires a dedicated PoE switch supplied by an unswitched AC line)

Battery

- High-temperature rated lithium battery

Approvals

- Listed UL-924 for damp locations: 50° to 104°F (10° to 40°C)
- NSF listed for splash/non-food zone applications
- Listed CEC Title 20
- BC - California Energy Commission Title 20

Warranty (subject to proper installation and maintenance)

Unit has a five year limited warranty

Detailed warranty terms located [online at: www.lightalarms.com](http://www.lightalarms.com)

Nexus®Pro    

Photometric performance

The RP Series has a fixed lighting distribution, optimized by design for ceiling heights up to 12 ft. The RP Series delivers a stable and optimal illumination easy to specify. Along an office corridor the space coverage ranges from 68 to 80 feet. The square distribution pattern covers a surface of more than 700 square feet.

Table A: Standard unit 6-ft wide corridor¹

Mounting height	Lumens	Spacing center-to-center
9 ft		68 ft
10 ft	680	80 ft
12 ft		72 ft

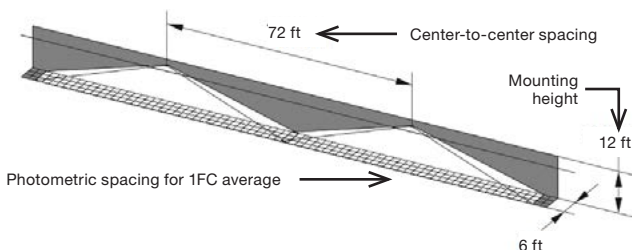
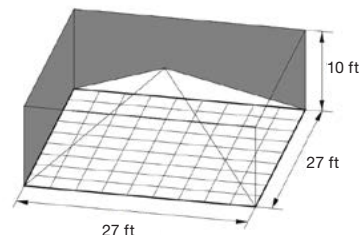


Table B: Option "square distribution pattern" – single unit coverage¹

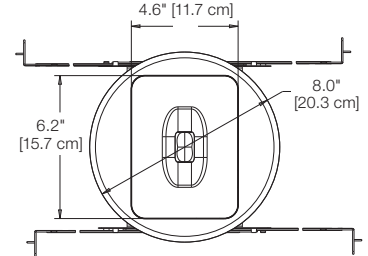
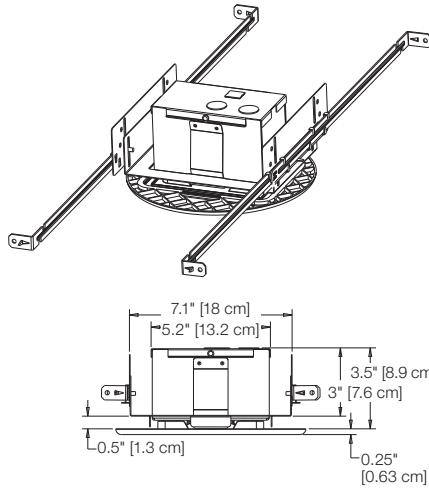
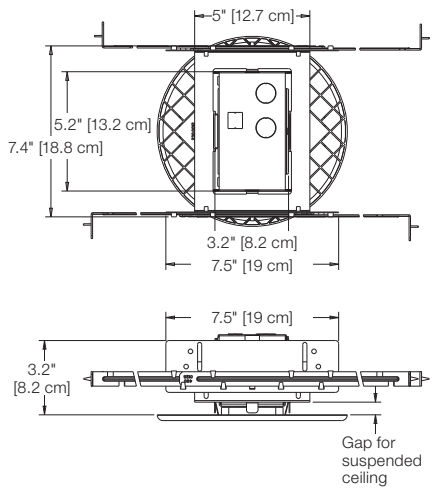
Mounting height	Lumens	Room size	Room surface
10 ft	717	27 ft x 27 ft	729 square feet

¹Note: Illumination levels as per the Life Safety Code (NFPA 101): Average 1 fc, Minimum 0.1 fc, Max-to-min ratio 40:1. Typical reflectance levels of walls/ceiling/floor: 80/50/20.

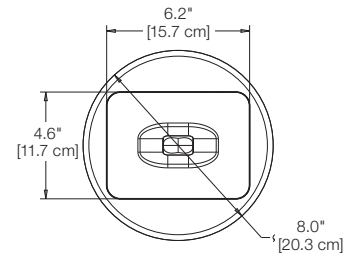
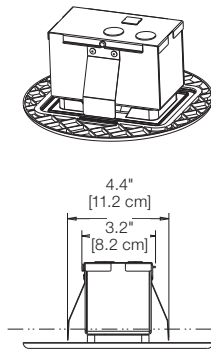
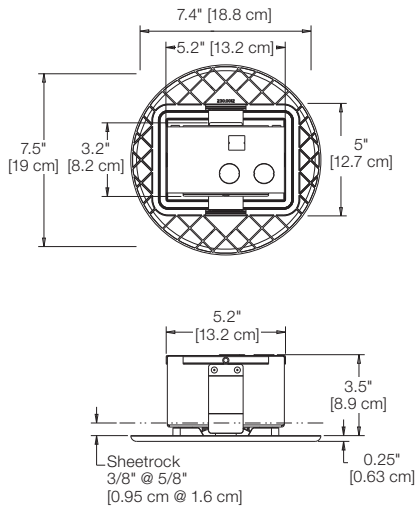


Dimensions (Dimensions are approximate and subject to change)

Recessed suspended ceiling mount



Recessed sheetrock ceiling mount



Power consumption and unit rating

AC	Maximum				Stand-by power (W)
	Input (VAC)	Current (A)	Power (W)	Power factor	
120	0.03	2.8	0.6	0.5	
277	0.02				0.5

POE	Maximum		
	DC supply (V)	Current (A)	Power (W)
44 - 57	0.08	3	

Ordering format

Series	Color	Input	Unit type	Options
RP= Recessed plastic architectural	B= Black W= Factory white	Blank= 120 to 277VAC, 50/60Hz POE= Power over ethernet cable	Blank= standard charger D= Advanced diagnostics, non-audible NEXP= Nexus®Pro wireless Bluetooth®	Blank= No options D3= 15 minute time delay P= Plenum/type IC rated SQ= Square distribution pattern

Example: RPWPOEDD3