

Simplicity CH SLD Series

Flat trim AC, AC/DC and Self-Powered models



WARNING:
Risk of Electrical Shock.
Disconnect Power before Installation.




IMPORTANT SAFEGUARDS

When using electrical equipment, basic safety precautions should always be followed including the following:

READ AND FOLLOW ALL SAFETY INSTRUCTIONS

1. All servicing should be performed by qualified service personnel.
2. All unused wires must be insulated to prevent shorting.
3. Do not use outdoors.
4. Do not let power supply cords touch hot surfaces.
5. Do not mount near gas or electric heaters.
6. Equipment should be mounted in locations and at heights where it will not readily be subjected to tampering by unauthorized personnel.
7. The use of accessory equipment not recommended by the manufacturer may cause an unsafe condition.
8. Do not use this equipment for other than its intended use.
9. Units to be installed only as per configuration described in this instruction manual.
- 10.

SAVE THESE INSTRUCTIONS



IMPORTANT: This sign shall be installed only where there is adequate colour contrast between the sign legend and the interior wall finish behind the sign, to provide for sufficient visibility.

Installation Instructions

Turn off AC power.

Installation (Figure 1, 2 & 3)

1. Remove the proper knockout in the back box for the entry of the AC wires.
2. Install the bar hangers in the adjustment brackets (see figure 2). Mount the back box so that it is flush with the ceiling surface (see figure 3).
3. Route AC circuit of rated voltage into the back box and leave 6" of wire length.
4. Connect the incoming ground to the short ground wire provided in the back box.
5. **Electrical connection (Figures 4, 5)**
 - a. Connect the long ground lead with eyelet from the back box to the ground screw on the trim plate assembly.
 - b. Make the proper connections. The system can accept input voltages of 120 VAC to 347 VAC. For regular models connect the purple (line) and white (common) leads to the building utility (see figure 4). For models with diagnostic feature or nexus interface, connect the white (common), black (120 VAC) or orange (277 VAC) leads to the building utility (see figure 5).
 - c. AC/DC Models only:
For DC portion: wire the Red lead to the positive (+) DC input voltage and the Blue lead to the negative (-) DC input voltage. Note: DC input voltage range is 6 volts to 24 volts.

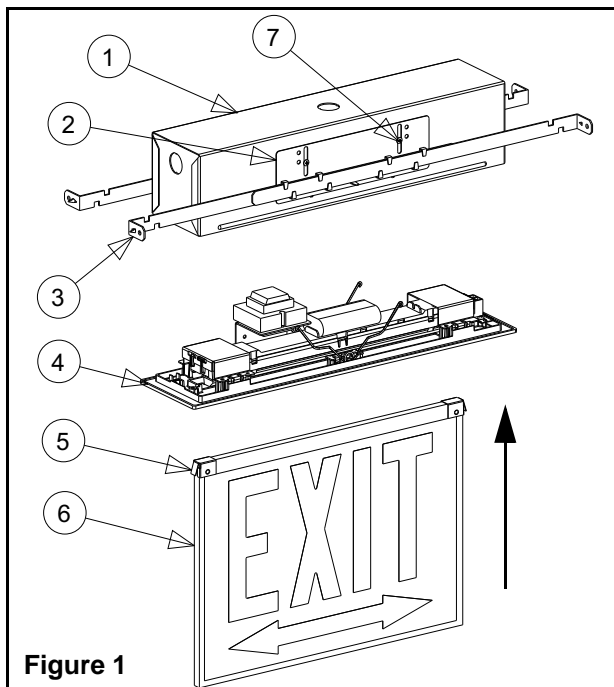


Figure 1

Parts List

- | | |
|----------------------------|--------------------|
| 1. Back box | 5. Clips (2) |
| 2. Adjustment brackets (2) | 6. Pictogram panel |
| 3. Bar hangers (2 pair) | 7. Screws (4) |
| 4. Trim plate assembly | |

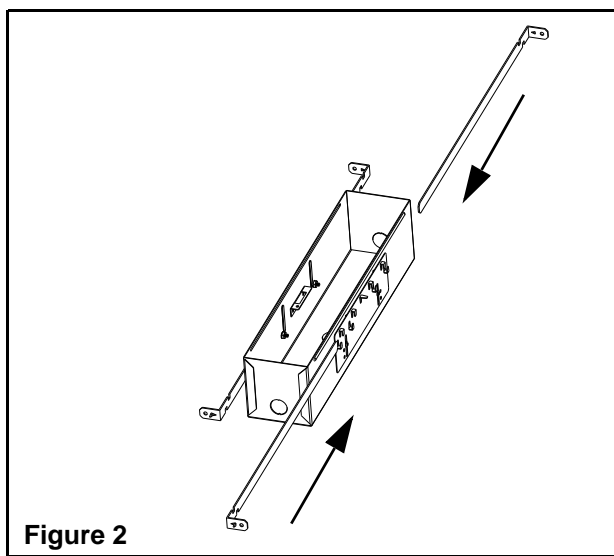


Figure 2

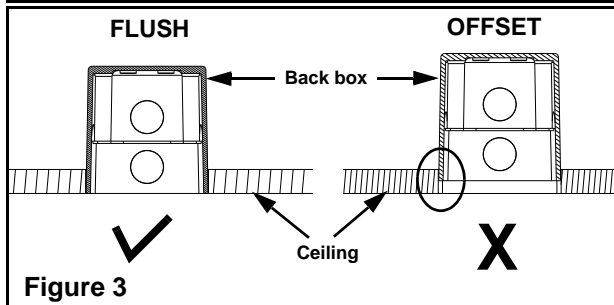



Figure 3

- d. For self powered models, connect the two terminals (located on the red wires) together.
- 6. Compress the retention springs (Figures 6) and insert the trim plate assembly in the back box. Align to be flush with the back box or with the ceiling.

Panel installation (Figure 1)

1. Remove the panel from its carton, do not remove the protective sleeve until the installation is complete.
2. Push the panel, with the clips, into the slot in the trim plate assembly until it snaps. Gently try to pull out the panel to ensure that it is engaged in the trim plate assembly.
3. Energize AC circuit. Legend and green pilot indicator (self-powered models), will illuminate.



IMPORTANT: The panel can only be removed by lowering the trim plate and pushing on the end clip located on the opposite side of the test switch with a screwdriver.

Self Powered models

Manual testing (Figure 7)

Press test switch. Legend will flicker then will remain lit. On release, external green LED will illuminate, and automatic charger will restore battery to full charge.

Automatic testing and diagnostic (optional)

The models with the automatic testing and diagnostic option include a micro-controller which tests the unit on a monthly basis and identifies as well as displays failures of the electrical components: battery, charger circuit, LED lamps.

Self-test

The self-test is performed every 30 days for 30 seconds, every 60 days for 30 minutes, and annually for 90 minutes.

Diagnostic function (Figure 7)

The diagnostic function uses the pilot light LED indicator. Service is required if the green LED changes color to red indicating that an alarm condition is detected.

LED indicator	LED Status	Diagnostic
Green	Steady	Normal (AC On)
Green	Blinking	Auto Test
Red	Steady on	Battery Disconnect
Red	One Blink	Battery Failure
Red	Two Blinks	Charger Failure
Red	Four Blinks	LED Lamp Failure

Maintenance

None required. Models equipped with batteries: if AC supply is to be disconnected for 2 months or more, the battery must be disconnected.

Note: For safety reasons Nickel Cadmium batteries are shipped discharged. The units may require 10 minutes of connection to AC supply before start-up test procedure, and two to seven days to reach full charge.

Warranty: For the complete warranty information, please refer to the landing page of our website (<http://www.lightalarms.com>).

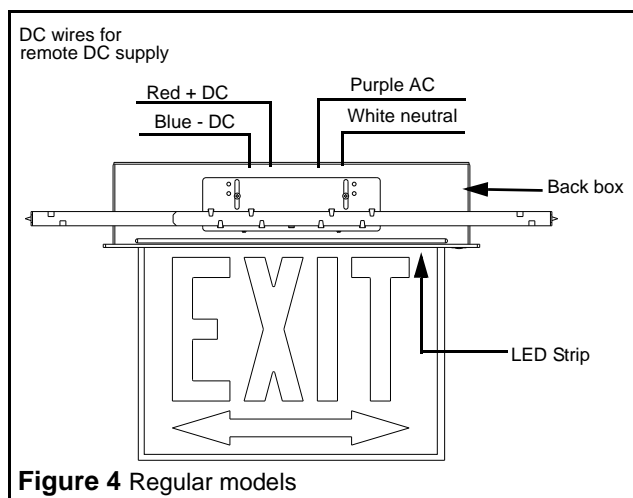


Figure 4 Regular models

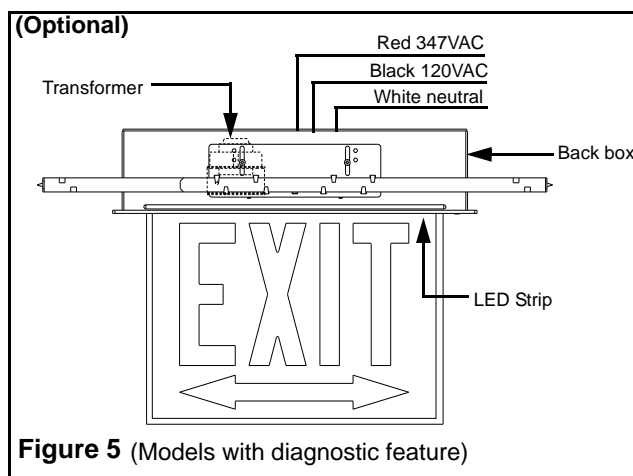


Figure 5 (Models with diagnostic feature)

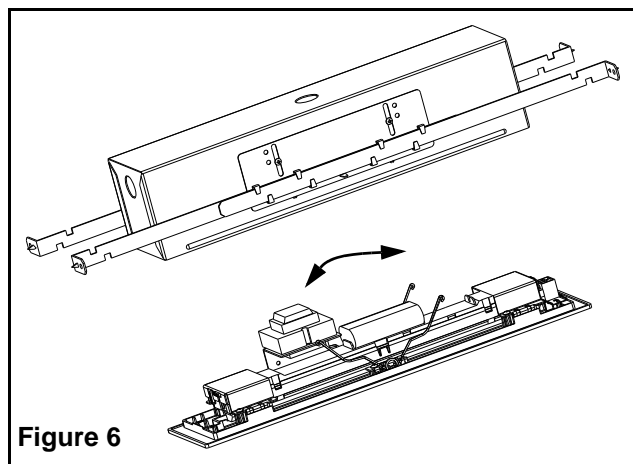


Figure 6

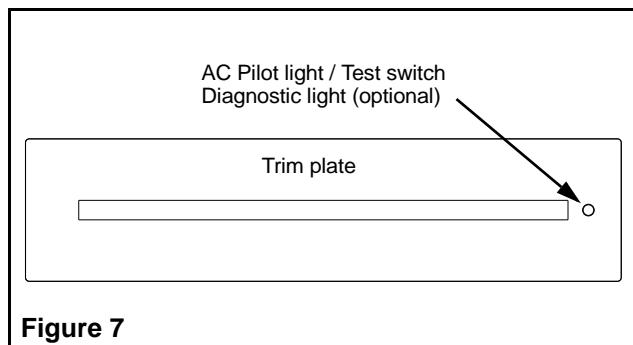


Figure 7