

SP Series Remote Heads

Installation instructions



WARNING:
Risk of Electrical Shock.
Disconnect Power before Installation.



IMPORTANT SAFEGUARDS

When using electrical equipment, basic safety precautions should always be followed including the following:

READ AND FOLLOW ALL SAFETY INSTRUCTIONS

1. All servicing should be performed by qualified service personnel.
2. Do not mount near gas or electric heaters.
3. Equipment should be mounted in locations and at heights where it will not readily be subjected to tampering by unauthorized personnel.
4. The use of accessory equipment not recommended by the manufacturer may cause an unsafe condition.
5. Do not use this equipment for other than intended use.

SAVE THESE INSTRUCTIONS

Installation Instructions

1. Turn off unswitched AC power.

Wall or Ceiling mount

- a. Remove the cover from the back box (See figure 1). Select the entry point on the back box for the conduit (top or side) and remove one of the plastic bushings.
- b. Install the unit to the wall or ceiling with 4 screws (not included).

Mounting on a vertical pole (option)

- a. The universal mounting bracket is an accessory ordered separately (See figure 2).
 - b. The bracket can be installed using steel banding for routing around the pole. Standard banding (not provided) must be maximum 3/4-in in width. The bracket can also be mounted on a Superstrut® metal framing (1 5/8-in channel series) using 1/4-in bolts (not provided). Holes are placed at 9-in apart horizontally.
 - c. Install the bracket, observing the indicator: TOP.
 - d. Screw the unit onto the bracket with the 4 screws, washers and nuts included in the bracket kit.
2. Install a water-tight hub (listed for Nema-4X) on the conduit, pass the hub through the back box hole and fasten the nut to secure a water-tight entry. If necessary, seal with silicone or equivalent caulking (not provided) to prevent water from leaking into the cabinet.

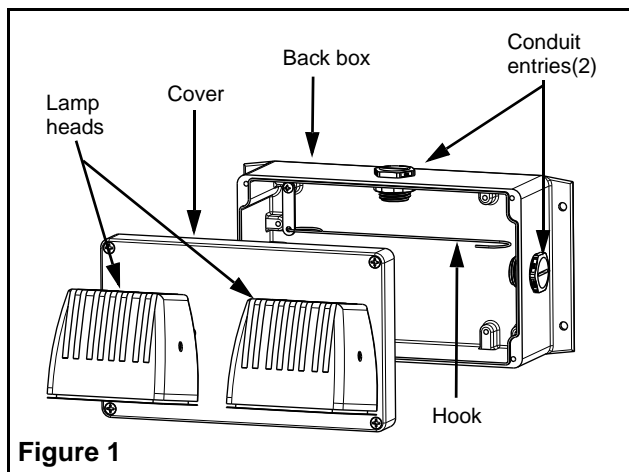


Figure 1

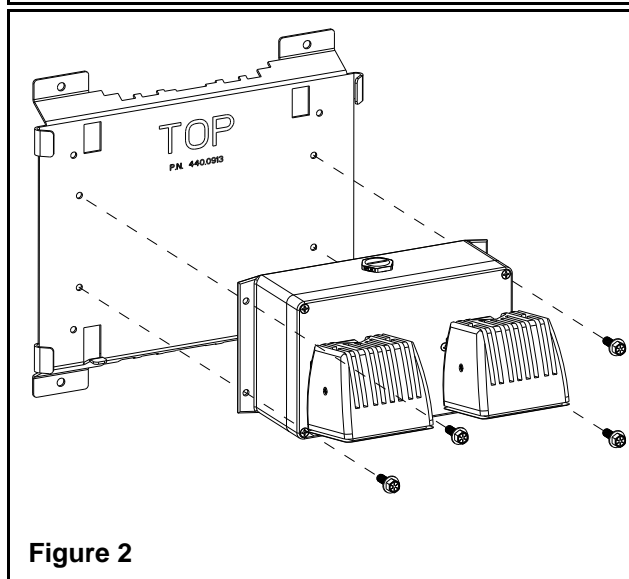



Figure 2

Maximum mounting height as per UL924 standards.

LED Lamp wattage	Maximum mounting height
6 - Watts	30 Feet
10 - Watts	50 Feet
15 - Watts	60 Feet



WARNING: FAILURE TO ENSURE A WATER-TIGHT INSTALLATION OF THE CONDUIT AND HUB(S) WILL VOID THE MANUFACTURER WARRANTY.

3. For daisy-chain (input/output) wiring: remove the second plastic bushing and repeat step 2 above to install the output wire conduit.
4. To ease wiring installation, a hook has been provided to hang the cover temporarily.
5. Respecting the proper polarity {red (+) and black (-)}, connect the lamp wires to the emergency circuit using wire nuts.
6. Verify that the rubber gasket is well aligned in the groove of the aluminum cover.
7. Using the captive screws re-install the cover ensuring that the lamp head(s) are pointing in the downward direction.

WARNING: SCREWS MUST BE TORQUED TO AT LEAST 12INLB TO ENSURE A WATER-TIGHT SEAL BETWEEN THE COVER AND HOUSING.

8. Adjust the lamp head assemblies:
 - Rotation: hold the lamp assembly and turn it to either side.
 - Tilting: hold the lamp assembly and tilt it up or down.

If the lamp heads become loose: tighten the screws located on each side of the lamp heads and the plastic nut located at the base of the bracket (See figure 3).

Warranty: For the complete warranty information, please refer to the landing page of our website (<http://www.lightalarms.com>).

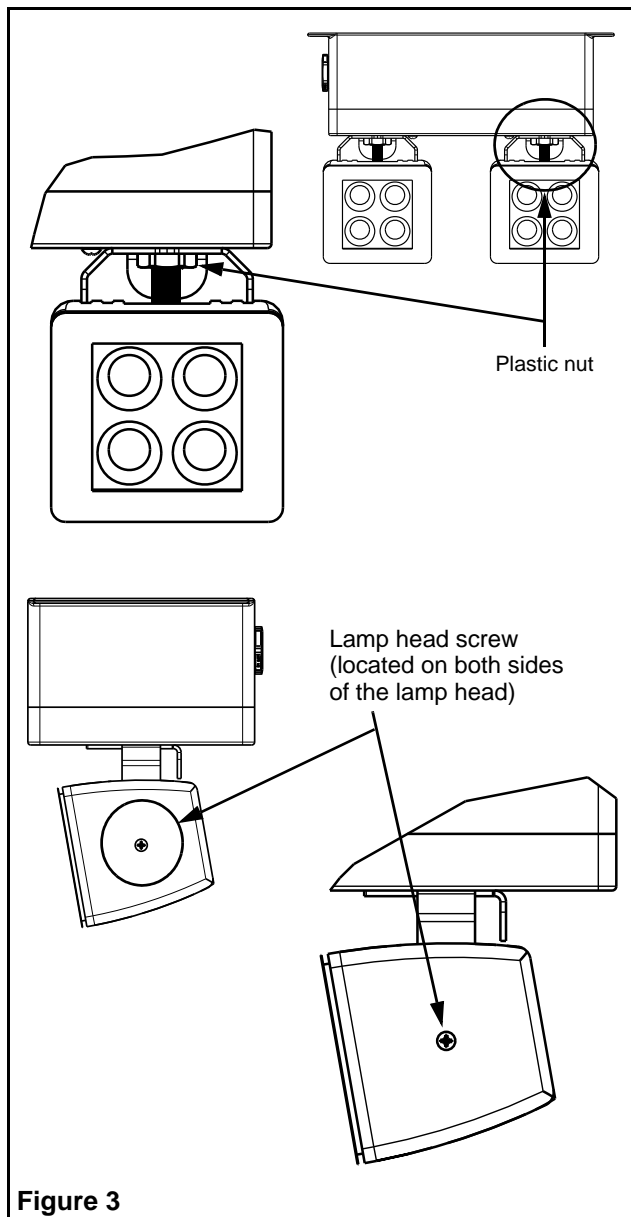


Figure 3