

## Cluster™ LED Round Head UQLXN500-2LED Series

Thermoplastic LED combination unit



### Cluster™ LED Family



Quick™ QLX & QLN Exit series PG. 40-41

Cluster™ LED LCA-2LEDR Unit & ELF652D Remote Head Series PG. 86-87

ELF652D/LED Remote head PG. 86

ELF652D/LED-WP Remote head PG. 86

### Construction

- UV stabilized thermoplastic body
- Fully adjustable and reversible Cluster™ LED glare-free heads
- 6 inch EXIT lettering legend, available in red or green
- Universal faces (2 faceplates, 1 backplate)
- Field selectable chevrons

### Mounting

- Surface mount
- Canopy included for ceiling mount applications
- Universal J-Box mounting finishes

### Type of battery

3.6V Nickel-Cadmium battery

### Lamp Head Source

White LED 3.6V-4W, with life expectancy 50,000+ hours

### Electronics

- Optional Improved Diagnostics
- 120/277 60Hz

### Approvals

- UL 924 listed
- Damp location (50F to 104F)
- UL 94, 5VA flame rated

### Warranty (subject to proper installation and maintenance)

Three-year full warranty

Detailed warranty terms located on [page 197](#) or online at: [www.lightalarms.com](http://www.lightalarms.com)

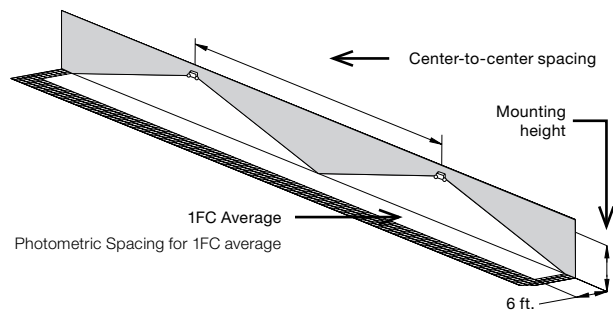


### Power consumption chart

Series	Current (A) / Power (W)	
	120VAC, 60Hz	277VAC, 60Hz
UQLXN500R-2LEDR	0.044/3.56	0.037/4.06
UQLXN500G-2LEDR	0.042/3.2	0.036/3.8

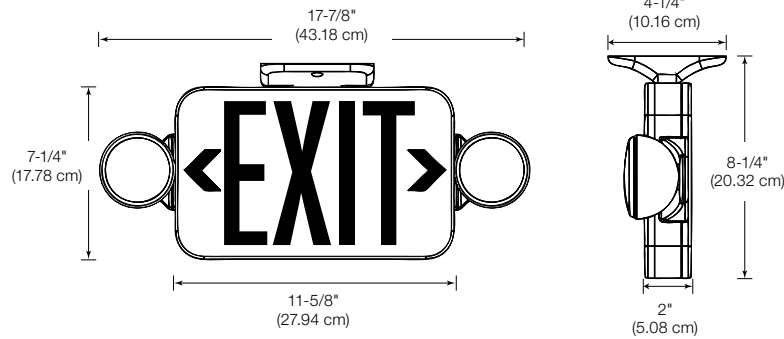
### Photometric performance

Spacing center-to-center (feet)	
7 feet mounting height	15 feet mounting height
15'	4'



**Dimensions** (Dimensions are approximate and subject to change):

**Combination unit**



**Ordering format – UQLXN500-2LED**

Series	Legend color	Lamp	Capacity	Color
<b>UQLXN500</b>	<b>R=</b> Red <b>G=</b> Green	<b>-2LED=</b> Cluster™ LED head style	<b>Blank=</b> No Option <b>R=</b> Remote capacity¹ <b>RID=</b> Remote capacity and Improved Diagnostics¹	<b>Blank=</b> Mist-white <b>B=</b> Black

**Example: UQLXN500R-2LEDR**

¹ Remote capacity can only be used to power the ELF652D/LED or ELF652D/LED-WP remote fixtures or to extend the battery units emergency run time beyond the standard 90 minutes.

**ELF652D/LED Series**

Indoor remote head



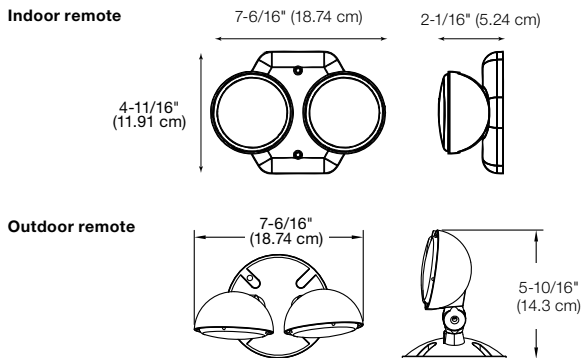
**ELF652D/LED-WP Series**

Outdoor remote head



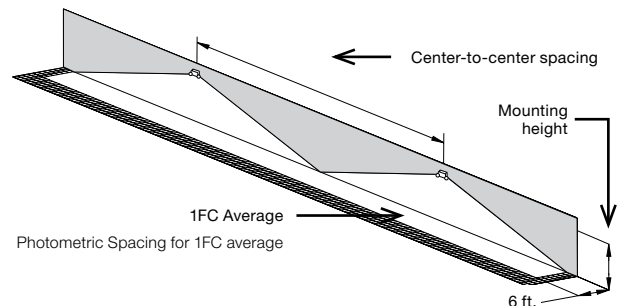
The Cluster™ LED ELF652D/LED Remote head can ONLY be powered from the UQLXN-2LED combo or LCA 2LED battery units of the same family. Used for internal or external applications, the indoor remote head draws 3.6V-3.6W and Weather-Proof head draws 3.6V-3.8W

**Dimensions**



**Photometric performance**

Spacing center-to-center (feet)	
7 feet mounting height	15 feet mounting height
15'	4'



**Ordering format**

Series	Number of heads	Lamp	Option
<b>ELF652</b>	<b>D=</b> Double head	<b>/LED=</b> Cluster™ LED head style	<b>Blank=</b> Indoor use only <b>-WP=</b> Weather-proof

**Example: ELF652D/LED**