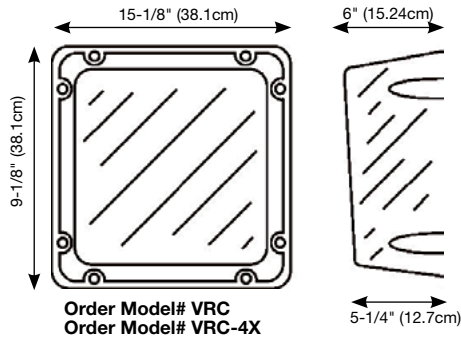


Unit accessories

Polycarbonate shields

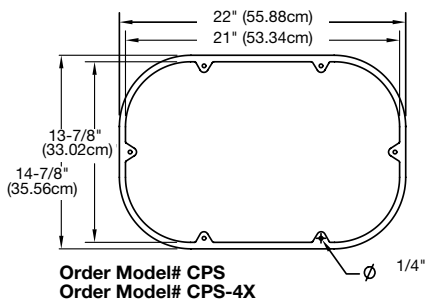
VRC Series

- VRC = Vandal Resistant
- VRC-4X = NEMA-4X Vandal Resistant (including a gasket and breather vent)



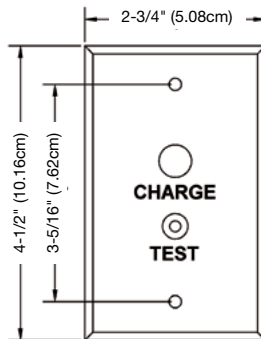
CPS Series

- CPS = Vandal Resistant
- CPS-4X = NEMA-4X Vandal Resistant (including a gasket and breather vent)



Remote test switch

Make testing your ceiling mounted equipment easier with the remote test switch. Compatible with 120 or 277VAC circuits, the remote test switch will interrupt the line voltage to your equipment by means of a momentary push button switch. AC on/Charge status indicator lamp assures that power is going to your emergency lighting.



Mounting platforms

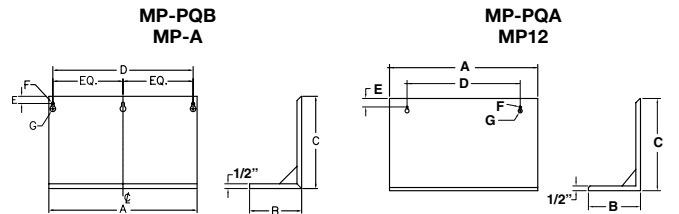
MP Series

- 14 gauge steel
- Corrosion resistant undercoat
- Oven baked finish
- 1/2" retaining lip on three sides
- Keyhole slots for easy mounting



Dimensions

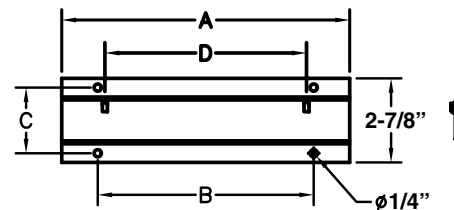
| Model | Dimensions (inches) | | | | | | |
|-------------------|---------------------|-------|--------|--------|-------|------|------|
| | a | b | c | d | e | f | g |
| MP-PQB (Mist) | 17 | 7-3/4 | 12-1/4 | 16 | 3/4 | 5/16 | 5/8 |
| MP-A (Gray) | 17 | 7-3/4 | 12-1/4 | 16 | 3/4 | 5/16 | 5/8 |
| MP-PQA (Mist) | 16-3/8 | 5-3/4 | 10-1/4 | 12-1/2 | 7/8 | 5/16 | 7/16 |
| MP12 (Mist white) | 27-1/2 | 7-3/4 | 12-1/4 | 16 | 1-5/8 | 3/16 | 5/16 |



Mounting brackets

MB Series

- 16 gauge steel
- Corrosion resistant undercoat
- Oven baked finish
- Supplied with rubber stand-offs for unit and machine screws to secure unit to bracket



Dimensions

| Model | Dimensions (inches) | | | |
|-------|---------------------|--------|--------|--------|
| | a | b | c | d |
| MB-A | 10 | 7-3/4 | 2-3/16 | 7 |
| MB-B | 14-1/4 | 11-3/4 | 2-3/16 | 12-5/8 |

| Description | Part no. |
|------------------------------|----------|
| Remote Test Switch (Chrome) | PSW |
| Remote Test Switch (Plastic) | PSW1 |