

Severe™ VH Series

Class I, Division 2, Groups A, B, C and D 6V-18W & 12V up to 72W capacities
lead-calcium battery



The Severe™ VH Series Class I Division 2 Family



Severe™ XVHZ & XVEHZ exit series
PG. 52-53



Severe™ XVH
combo series
PG. 54-55



Severe™ ELF651
remote series
PG. 140-141

Housing

- Class I Division 2, Groups A, B, C and D
- Vandal-resistant UV stabilized polycarbonate lamp cover
- Front and back plates are of a heavy duty aluminum
- Stainless steel tamper-proof screws

Mounting

- Surface wall mount only
- Includes mounting lugs on each side of the housing
- Universal J-Box mounting
- ½ inch entry on both sides and top of housing

Lamp type

Choice of MR16 LED lamp voltages and wattages

Electronics

- Pulse plus charger
- Low voltage disconnect
- Automatic brownout protection
- Battery lock-out
- Fused output circuit
- Magnetic test switch
- Standard Improved Diagnostics (non-audible)
- Optional: Nexus® monitoring system
- 120/277 60Hz

Photometric performance

Lamp	Spacing center-to-center (feet)	
	7 feet mounting height	15 feet mounting height
LD1	39'	34'
LD2	74'	57'
LD7	49'	39'
LD9	68'	54'
LD10	89'	80'

Battery type

6 or 12V Lead-Calcium battery

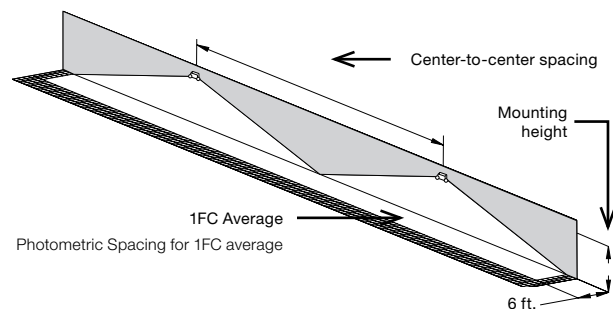
Approvals

- CSA-US (To UL 924 standards)
- Evaluated to the UL 844 Standard for Class I Division 2, Groups A, B, C and D
- NEC, OSHA and NEMA compliant for above Classes and Groups
- Damp and wet location 50°F to 104°F (10°C to 40°C)

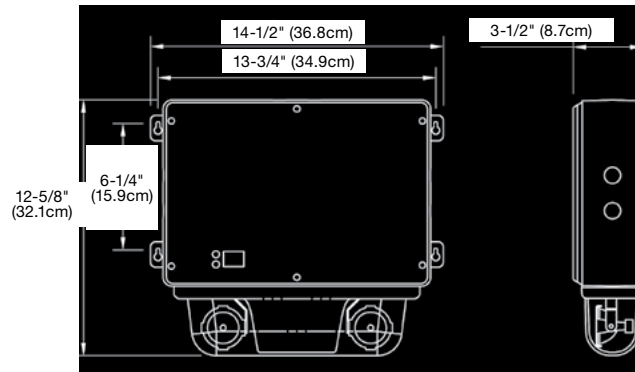
Warranty (subject to proper installation and maintenance)

Unit: five-year limited warranty

Detailed warranty terms located on [page 197](#) or online at: www.lightalarms.com



Dimensions (Dimensions are approximate and subject to change)



Power consumption chart

Series	Battery	Voltage	DC Specs				AC Specs	
			87.5% Battery capacity (in watts) ¹				Units dual voltage ²	Current Maximum
			90 Mins	2 Hrs	3 Hrs	4 Hrs		
VHG1	Lead-Calcium	6V	18	12	9	0	120/277VAC	0.17A/0.09A
VH12G1		12V	36	27	18	14	120VAC 277VAC	0.3A 0.15A
VH12G2		12V	60	45	30	24		
VH12G3		12V	72	54	36	28		

¹ National Electrical Code Specification

² All units 120/277 dual voltage, information based on wiring to specific voltage type

Accessories (Order as a separate item)

Description	Product code
Wire guard	WG3-L

Temperature codes: MR16 LED lamps

Lamp suffix	Voltage	Wattage	Lumens	Max temperature	Replacement number
LD1	6	4	T4A	120°C	580.0097-L
LD2	6	5	T4A	120°C	580.0122-L
LD7	12	4	T4A	120°C	580.0093-L
LD9	12	5	T4A	120°C	580.0104-L
LD10	12	6	T4A	120°C	580.0106-L

Ordering format

Number of heads	Series	Lamp type	Color	Options
0= No heads 2= Two heads	VHG1 = 6V-18W VH12G1 = 12V-36W VH12G2 = 12V-60W VH12G3 = 12V-72W	LD1 = 6V-4W, MR16 LED LD2 = 6V-5W, MR16 LED LD7 = 12V-4W, MR16 LED LD9 = 12V-5W, MR16 LED LD10 = 12V-6W, MR16 LED	G = Grey	Blank = Improved Diagnostics standard (non audible) ¹ -DA = Improved Diagnostics (audible) ¹ -NEX = Nexus® Wired (contact your sales representative) -NEXRF = Nexus® Wireless (contact your sales representative) -T3 = Time delay (15 minute)

Example: 2VHG1LD1G

¹ -ID & -IDNA include a time delay feature that can be enabled/disabled in the field or set by the factory by including -ID-TD* or -IDNA-TD*