

Severe™ XVHZ & XVEHZ Series

Class I Division 2, Groups A, B, C and D, hazardous location exit sign



Construction

- Fully gasketed housing frame
- Faceplate: heavy-duty, vandal-resistant polycarbonate
- Backplate: heavy-duty aluminum
- Stainless steel tamper-proof screws
- 6 inch EXIT lettering legend, available in red or green
- Field-selectable chevrons

Mounting

- Surface mount
- Junction box included for wall, end or ceiling mount applications
- 1/2 inch conduit knock-out entry on top and sides.

Special Wording Panels

- Available. Contact your sales representative with your design requirements

Electronics

- Magnetic test switch
- Standard **Improved Diagnostics (non-audible)**
- Optional Nexus® monitoring system
- 120/277 60Hz
- Compatible with Lightalarms® Mini Inverters (contact your sales representative for more information)
- Optional Nexus®Pro IoT monitoring system

Severe™ Class I, Division 2 Family



Severe™ XVH Combo series



Severe™ VH Battery unit



Severe™ ELF651 Remote series

Approvals

- CSA-US (to UL 924 Standard)
- Evaluated to the UL 844 Standard for Class I Division 2, Groups A, B, C and D
- NEC, OSHA and NEMA compliant for Class I Division 2, Groups A, B, C and D
- Self-powered model damp and wet location 50°F to 104°F (10°C to 40°C)
- AC/DC model -40°F to 104°F (-40°C to 40°C)
- Meets NFPA101 (Life Safety Code), NFPA 70-NEC and OSHA illumination standards
- E-California Energy Commission Title 20

Warranty (subject to proper installation and maintenance)

Five year limited warranty

Detailed warranty terms located at: www.lightalarms.com

nexus

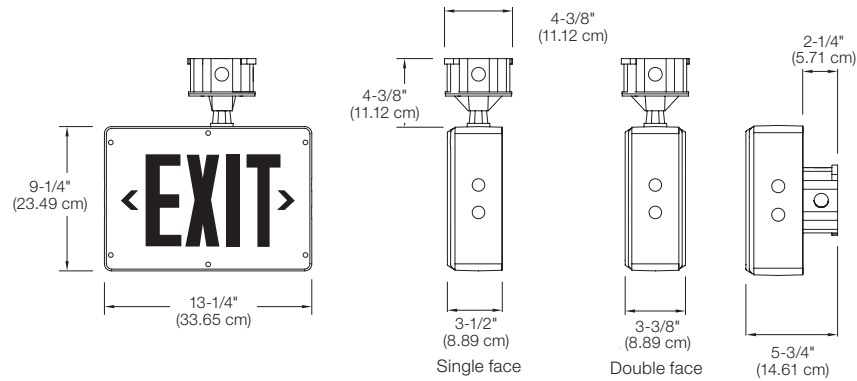
id.
improved
diagnostics

US

E

Nexus®Pro

Dimensions (Dimensions are approximate and subject to change):



Power consumption chart

Model	AC specs	DC specs
AC/DC red	120-277VAC (Less than 2W)	6-24 VDC
AC/DC green	120-277VAC (Less than 1.5W)	6-24 VDC
Self-powered red	120-277VAC (Less than 2W)	Nickel-cadmium battery (min. 90 mins.)
Self-powered green	120-277VAC (Less than 2.5W)	Nickel-cadmium battery (min. 90 mins.)

Accessories (Order as a separate item)

Description	Product code
Tamper-Proof Bit (Extra)	690.0454-L

Ordering format

Housing/ Face color	Series	Faces	Legend color	Diagnostic	Options
GG = Gray/Gray	XVHZ = AC/DC XVEHZ = Self-powered	1 = Single face 2 = Double face	R = Red G = Green	Blank = AC/DC models -D= Improved Diagnostics (included standard non-audible) ¹ -NEXP = Nexus [®] Pro IoT wireless ¹ -NEXRF = Nexus [®] wireless ¹	CW = Cold weather -4°F to +104°F (-20°C to +40°C) ¹

Example: GGXVEHZ2R-DCW

¹ Available with self-powered models only