

Severe™ XV & XVE Series

NEMA-4X, vandal resistant and harsh environment exit sign



The Severe™ XV Series exit sign is a part of the Severe™ family of NEMA-4X rated emergency lighting products. The Severe™ family offers complete emergency lighting solutions for commercial and industrial environments where protection against humidity, dust, water infiltration and the risk of vandalism are specification criteria. These products deliver state-of-the-art illumination in a visually appealing package.

Construction

- Full gasketed NEMA-4X housing
- Frame: polyvinyl chloride enclosure, fully gasketed around the lens, backplate and canopy to prevent water infiltration
- Faceplate: heavy-duty, vandal-resistant polycarbonate
- Backplate: heavy aluminum
- Comes with both Phillips head and tamper-proof screws
- 6 inch EXIT lettering legend, available in red or green
- Field-selectable chevrons
- Choice of finishes: white, black or gray
- IK08 impact resistance

Mounting

- Surface mount applications
- Ceiling and wall mount are NEMA-4X
- End and pendant mount are not NEMA-4X
- Canopy included for end or ceiling mount applications
- Universal J-box mounting
- ½ inch conduit entry on top and sides

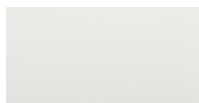
Special Wording Panels

- Available. Contact your sales representative with your design requirements

Housing/Face color



Black



White



Gray



Aluminum

The Bluetooth® word mark and logos are registered trademarks owned by Bluetooth SIG, Inc. and any use of such marks by ABB Inc. is under license. Other trademarks and trade names are those of their respective owners.

The Severe™ NEMA-4X Rated and NSF Certified Family



Severe™ XV12E & XV24E
Combo series
PG. 50-51



Severe™ V
Battery unit
PG. 102-103



Severe™ ELF650
Remote series
PG. 137

Electronics

- Magnetically operated test switch
- Standard **Improved Diagnostics (non-audible)**
- Optional Nexus®Pro IoT monitoring system
- Optional Nexus® wireless monitoring system
- 120/277 60Hz
- Compatible with Lightalarms® Mini Inverters (contact your sales representative for more information)

Approvals

- UL 924 listed
- UL listed for wet and damp location self-powered (50°F to 104°F), AC and ACDC(-40°F to 104°F)
- Self-powered model UL listed for cold weather option (-4°F to +104°F)
- Meets NFPA101 (Life Safety Code), NFPA 70 NEC, OSHA illumination standards
- E-California Energy Commission Title 20

Warranty (subject to proper installation and maintenance)

Five year limited warranty

Detailed warranty terms located on [page 197](#) or online at: www.lightalarms.com

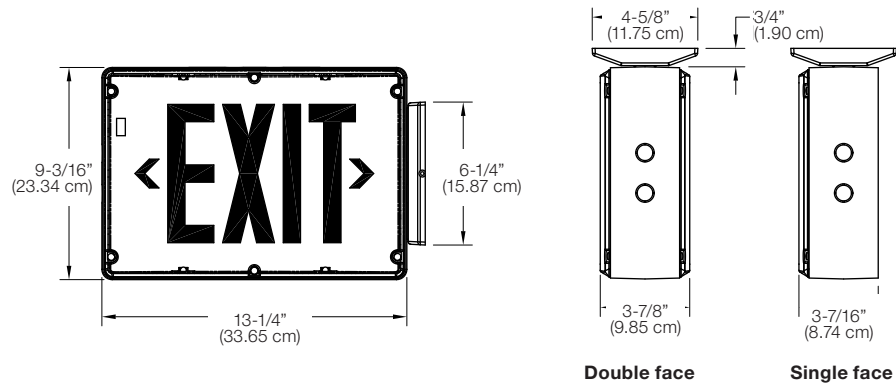


NEMA-4X



nexus Nexus®Pro

Dimensions (Dimensions are approximate and subject to change):



Power consumption chart

Model	AC specs	DC specs
AC only	120-277VAC, 50/60Hz (1.2W)	-
AC/DC	120-277VAC, 50/60Hz (1.2W)	6 to 24VDC (Less than 1.5W)
Self-powered	120-277VAC, 50/60Hz (3.7W)	Ni-Cd battery (Min. 90 minutes)

Accessories (Order as a separate item)

Description	Product code
Convert single face to double face, red (in the field)	DFKR-*
Convert single face to double face, green (in the field)	DFKG-*
Tamper-Proof Bit (extra)	690.0454-L

*Specify White (WT) or Black (BK) housing

Ordering format

Housing/ Face color	Series	Faces	Legend color	Diagnostic	Housing	Options
Blank = Black/black	XV = AC only	-1= Single face	-R= Red	Blank = AC only models	-4X = NEMA-4X	Blank = No options
BW = Black/white	XVE = Self-	-2= Double face	-G= Green	-D = Improved Diagnostics	housing ²	-2 = Dual circuit
BA = Black/aluminum	powered			(non-audible , standard) ¹		(120/120 or 277/277AC only) ³
GB = Gray/black	nickel-			-NEXP = Nexus® Pro IoT ¹		-DC = AC/DC 6V to 24VDC ³
GW = Gray/white	cadmium			-NEXRF = Nexus® wireless ¹		-CW = Cold weather (self-powered
GA = Gray/aluminum	battery					-4°F to 104°F) ⁴
WB = White/black						-Y = Open face/special wording
WW = White/white						-CM = Pendant mount
WA = White/aluminum						

Example: BAXVE-1-R-D-4X-CW

¹ Available with self-powered models only
² Wall or ceiling mount only
³ Not available with -NEXRF Nexus® option
⁴ Not required with AC model