

## Severe™ XV & XVE Series

NEMA-4X, vandal resistant and harsh environment exit sign



The Severe™ XV Series exit sign is a part of the Severe™ family of NEMA-4X rated emergency lighting products. The Severe™ family offers complete emergency lighting solutions for commercial and industrial environments where protection against humidity, dust, water infiltration and the risk of vandalism are specification criteria. These products deliver state-of-the-art illumination in a visually appealing package.

### Construction

- Full gasketed NEMA-4X housing
- Frame: polyvinyl chloride enclosure, fully gasketed around the lens, backplate and canopy to prevent water infiltration
- Faceplate: heavy-duty, vandal-resistant polycarbonate
- Backplate: heavy aluminum
- Comes with both Phillips head and tamper-proof screws
- 6 inch EXIT lettering legend, available in red or green
- Field-selectable chevrons
- Choice of finishes: white, black or gray

### Mounting

- Surface mount applications
- Ceiling and wall mount are NEMA-4X
- End and pendant mount are not NEMA-4X
- Canopy included for end or ceiling mount applications
- Universal J-box mounting
- ½ inch conduit entry on top and sides

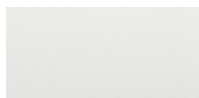
### Special Wording Panels

Available. Contact your sales representative with your design requirements

### Housing/Face color



Black



White



Gray



Aluminum

### The Severe™ NEMA-4X Rated and NSF Certified Family



Severe™ XV12E & XV24E  
Combo series  
PG. 50-51



Severe™ V  
Battery unit  
PG. 102-103



Severe™ ELF650  
Remote series  
PG. 137

### Electronics

- Magnetically operated test switch
- Standard Improved Diagnostics (non-audible)
- Optional Nexus®Pro IoT monitoring system
- Optional Nexus® wired and wireless monitoring system
- 120/277 60Hz
- Compatible with Lightalarms Mini Inverters (contact your sales representative for more information)

### Approvals

- UL 924 listed
- UL listed for wet and damp location self-powered (50°F to 104°F), AC and ACDC(-40°F to 104°F)
- Self-powered model UL listed for cold weather option (-4°F to +104°F)
- Meets NFPA101 (Life Safety Code), NFPA 70 NEC, OSHA illumination standards
- E-California Energy Commission Title 20

**Warranty** (subject to proper installation and maintenance)

Five-year limited warranty

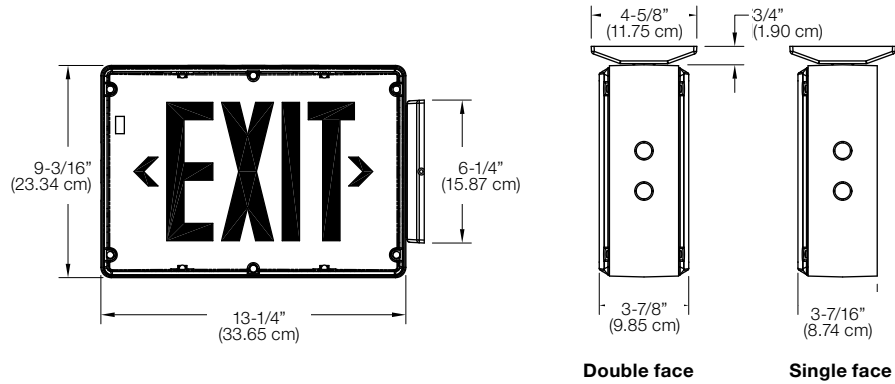
Detailed warranty terms located on [page 197](#) or online at: [www.lightalarms.com](http://www.lightalarms.com)

nexus™ NEMA-4X



Nexus®Pro

**Dimensions** (Dimensions are approximate and subject to change):



**Power consumption chart**

Model	AC Specs	DC Specs
AC-Only	120-277VAC, 50/60Hz (1.2W)	-
AC/DC	120-277VAC, 50/60Hz (1.2W)	6 to 24VDC (Less than 1.5W)
Self-Powered	120-277VAC, 50/60Hz (3.7W)	Ni-Cd battery (Min. 90 minutes)

**Accessories** (Order as a separate item)

Description	Product code
Convert single face to double face, red (in the field)	DFKR-*
Convert single face to double face, green (in the field)	DFKG-*
Tamper-Proof Bit (extra)	690.0454-L

\*Specify White (WT) or Black (BK) housing

**Ordering format**

Housing/ Face color	Series	Faces	Legend color	Diagnostic	Housing	Options
<b>Blank</b> = Black/Black	<b>XV</b> = AC-only	-1= Single face	-R= Red	<b>Blank</b> = AC-Only models	<b>-4X</b> = NEMA-4X	<b>Blank</b> = No options
<b>BW</b> = Black/White	<b>XVE</b> = Self-	-2= Double face	-G= Green	<b>-D</b> = Improved Diagnostics	housing <sup>2</sup>	<b>-2</b> = Dual Circuit
<b>BA</b> = Black/Aluminum	powered			(non-audible, standard) <sup>1</sup>		(120/120 or 277/277AC only) <sup>3</sup>
<b>GB</b> = Gray/Black	Nickel-			<b>-NEX</b> = Nexus <sup>®</sup> wired <sup>1</sup>		<b>-DC</b> = AC/DC 6V to 24VDC <sup>3</sup>
<b>GW</b> = Gray/White	Cadmium			<b>-NEXP</b> = Nexus <sup>®</sup> Pro IoT <sup>1</sup>		<b>-CW</b> = Cold weather (Self-Powered
<b>GA</b> = Gray/Aluminum	battery			<b>-NEXRF</b> = Nexus <sup>®</sup> wireless <sup>1</sup>		-4°F to 104°F) <sup>4</sup>
<b>WB</b> = White/Black						<b>-Y</b> = Open face/special wording
<b>WW</b> = White/White						<b>-CM</b> = Pendant mount
<b>WA</b> = White/Aluminum						

**Example: BAXVE-1-R-D-4X-CW**

<sup>1</sup> Available with Self-Powered models only  
<sup>2</sup> Wall or ceiling mount only  
<sup>3</sup> Not available with -NEX or -NEXRF, Nexus<sup>®</sup> option  
<sup>4</sup> Not required with AC model