

TBR Series

Recessed steel housing



Housing

- Steel housing
- Standard off-white finish, optional black finish
- Lighting heads, available in thermoplastic or decorative die-cast aluminum
- Choice of MR16 LED lamp wattages

Mounting

- Fully recessed ceiling
- Hanger bars included for lay-in installation in t-bar grid

Electronics

- Pulse plus charger
- Low voltage disconnect
- Automatic brownout protection
- Battery lock-out
- Fused output circuit
- Optional: Improved Diagnostics
- Optional: Nexus® monitoring system
- 120/277 60Hz

Photometric performance

Lamp	Spacing center-to-center (feet)	
	7 feet mounting height	15 feet mounting height
LD1	43'	36'
LD2	81'	64'
LD7	55'	43'
LD9	71'	56'
LD10	100'	85'



Choice of Sealed Maintenance-Free Battery

- 6V or 12V Lead-Calcium battery
- 12V Nickel-Cadmium battery

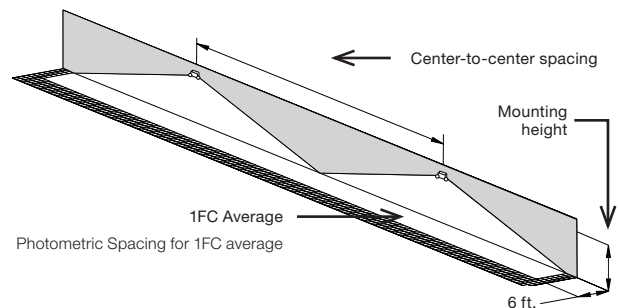
Approval

- UL 924 Listed
- New York City Approved

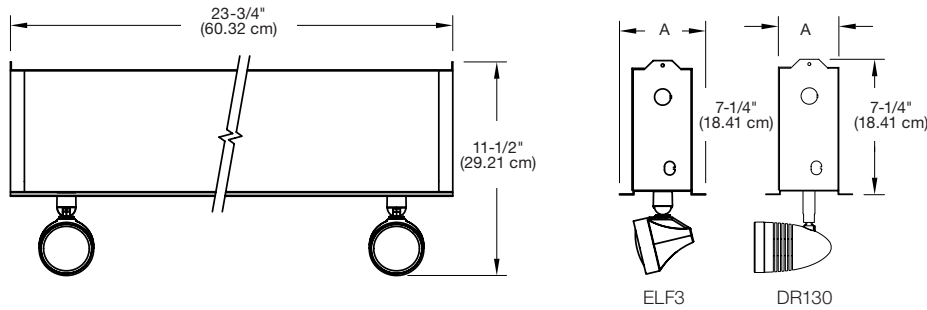
Warranty (subject to proper installation and maintenance)

Unit: five-year limited warranty

Detailed warranty terms located on [page 197](#) or online at: www.lightalarms.com



Dimensions (Dimensions are approximate and subject to change)



Cabinet dimensions

Units	Cabinet	A
54W and under	S	4-5/8"
81W and higher	L	7-1/8"

Power consumption chart

Series	Battery	Voltage	DC Specs				AC Specs	
			Battery capacity (in watts)				Units dual voltage ¹	Current Maximum
			90 Mins	2 Hrs	3 Hrs	4 Hrs		
TBRC0	Lead-Calcium	6V	18	12	0	0	120VAC 277VAC	0.3A 0.15A
T12BRC0	Lead-Calcium	12V	36	25	20	14		
T12BRC2	Ni-Cd with option (-N)	12V	50	31	25	18		

¹ All units 120/277 dual voltage, information based on wiring to specific voltage type

Accessories (Order as a separate item)

Description	Product code
Remote Test Switch (Metal Faceplate)	PSW
Remote Test Switch (Plastic Faceplate)	PSW-1

Ordering format

Number of heads	Series/Battery/Capacity	Head style	Lamp type	Options
Blank = No heads	Lead-Calcium Battery	/E3 = ELF3 (MR16, Plastic)	LD1 = 6V-4W MR16 LED	Blank = Mist white housing, no options
2 = 2 heads	TBRC0 = 6V-18W	/D1 = DR130 (MR16, Metal)	LD2 = 6V-5W MR16 LED	-ID = Improved Diagnostics (audible) ¹
3 = 3 heads	T12BRC0 = 12V-36W		LD7 = 12V-4W MR16 LED	-IDNA = Improved Diagnostics (non audible) ¹
	For Nickel-Cadmium Battery (must include option -N)		LD9 = 12V-5W MR16 LED	-NEXRF = Nexus [®] wireless Compatible ² (consult your sales representative)
	T12BRC2 = 12V-50W		LD10 = 12V-6W MR16 LED	-B = Black housing
				-TD15 = Time delay (15 minutes) ³
				-N = Nickel-Cadmium battery

Example: 2T12BRC0/D1LD9

¹ -Minimum lamp load required: 20% of unit capacity. Not available with 100W N-Cd 24V. Should also apply to NEXRF.

² -NEXRF is CSA-US approved only.

³ -Time delay only available with ID, IDNA or NEXRF models