

Camray™ LED Series

Die-cast aluminum LED emergency lighting – interior or exterior



Housing

- Indoor/outdoor suitable for wet location
- Die-cast aluminum housing
- UV-resistant (3" x 1.5") polycarbonate lens

Mounting

- Wall mount
- 1/2" rigid conduit top entry
- Universal J-box mounting pattern

Lamp Type

- Patent-pending light engine: four power LEDs with redundant connections
- 400-640 lumens
- Color temperature: 4000K
- Optional forward-throw light distribution, for applications of outdoor egress
- Optional high-lumen output

- Optional dual-mode operation: normal and emergency LED lighting with separate AC inputs
- Pulse plus charger
- Low voltage disconnect
- Automatic brownout protection
- Battery lock-out
- Fused output circuit
- Standard Improved Diagnostics
- 120/277 60Hz

Approval

- UL 924 listed
- Nema-3R rated for indoor/outdoor cold-weather wet and damp locations: -4°F to 104°F (-20°C to 40°C)

Warranty (subject to proper installation and maintenance)

Unit: five-year full warranty

Detailed warranty terms located on [page 197](#) or online at: www.lightalarms.com

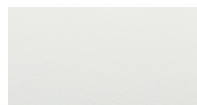
Unit color



Platinum gray



Black



White



Dark bronze
(painted)

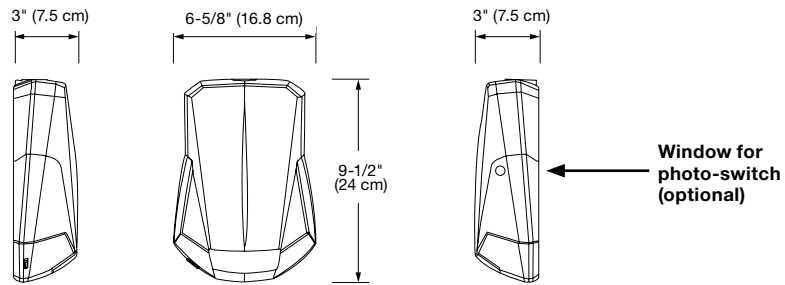
NEMA-3R

Power consumption chart

| Model | AC Specs | | | | DC Specs |
|-------------------|-------------------|------------------|--------------------|-----------------|--------------------|
| | Normal lighting | | Emergency lighting | | 6-12V ¹ |
| | Current (maximum) | Power (maximum) | Current (maximum) | Power (maximum) | Power (maximum) |
| AC, 2AC, ACDC, DC | 0.12/0.08A | 12W | 0.11/0.08A | 12W | 8W |
| All above, -H | 0.18/0.11A | 18W | 0.18/0.11A | 18W | 14W (VDC only) |
| ACSD, SD, SD-H | 0.12/0.06A | 12W | 0.05/0.02A | 5W | |
| SD-CW | – | – | 0.15/0.07A | 16W | N/A ¹ |
| ACSD-CW-P, -FT | | N/A ¹ | 0.22/0.10A | 24W | |

¹ Only unswitched AC input; normal lighting with photo-switch or remote control

Dimensions (Dimensions are approximate and subject to change)



Photometric performance

Table A – Spacing for NFPA101 (average = 1FC) – Average of 1 foot-candle

| Model type | Mounting height | Lumen | Color temperature | Width X length (ft) | |
|------------------|-----------------|-------|-------------------|---------------------|------------------|
| | | | | Single unit | Center-to-center |
| Standard | 9' | 400 | 4000K | 6' X 50' | 6' X 50' |
| With option -H | 11' | 550 | | 6' X 60' | 6' X 60' |
| With option -FT | 12' | 460 | | | 3' X 70' |
| With option -FTH | 15' | 640 | | 6' X 40' | – |
| | | | | 6' X 50' | – |

Table B – Spacing for minimum illumination = 1FC – Minimum of 1 foot-candle

| Model type | Mounting height | Lumen | Color temperature | Width X length (ft) | |
|------------------|-----------------|-------|-------------------|---------------------|------------------|
| | | | | Single unit | Center-to-center |
| Standard | 9' | 400 | 4000K | 4' X 28' | 6' X 32' |
| With option -H | 11' | 550 | | 4' X 32' | 6' X 40' |
| With option -FH | 12' | 460 | | 4' X 22' | – |
| With option -FTH | 15' | 640 | | 4' X 27' | – |

Indoor reflectance: 80/50/20 and 10-ft wide corridor. Outdoor reflectance: 0/30/10

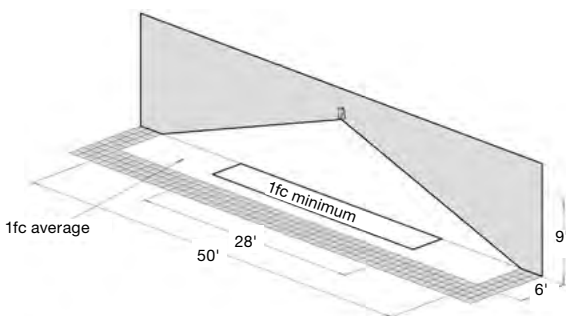
Note: The illumination level meets ALL the requirements of the Life Safety Code (NFPA 101):

- 1) Average of 1 foot-candle or more
- 2) Minimum at any point of 0.1 foot-candle or more
- 3) Maximum-to-minimum illumination uniformity ratio of 40:1 or less

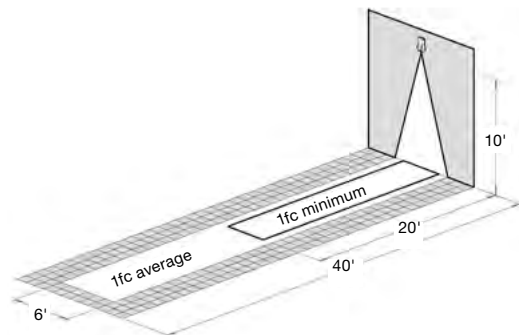
Photometry performance

Whether installed indoors or outdoors, with spacing measurements for a single unit or between two units center-to-center, the Camray® Series LED delivers a stable and consistent illumination making it easy to specify in a wide range of applications. The outstanding spacing of illumination ranges from 50 to 70 feet for standard units (wide beam) and from 40 to 50 feet with the forward-throw beam option.

Photometry performance – Wide beam



Photometry performance – Forward throw



Ordering format – Battery unit

| Series | Model | Color | Options |
|-------------------------------------|-----------------------------------------------------------------------------------------------------------------------------------------------------------------------------------------------------------------------------------------------|-----------------------------------------------------------------------------------------------|---------------------------------------------------------------------------------------------------------------------------------------------------------------------------------------------------------------------------------------------------------------------------------------------------------------------------------------------------------------------------|
| CAM= Camray LED battery unit | Nickel-Metal Hydride Battery Units (standard with Self-Diagnostics) SD= Self-Powered & Self-Diagnostic (-4°F + 122°F)(-20°C + 50°C) ACSD= Dual-Mode AC/Self-Powered & Diagnostics (-4°F + 104°F)(-20°C + 40°C) | B= Black DB= Dark bronze OW= Off white PG= Platinum gray | -CW= Cold weather (-40°F - 86°F)(-40°C - 30°C); not available with option -H -FT= Forward throw lighting -H= High lumen output (32... 86°F / 0... 30°C; model SD only) -P= Photo-switch, (model models ACSD only) -T3= Time delay: 15 minutes (models ACSD, SD only) -RC= Remote control - infrared ¹ |

Example: CAMSDOW-RC

¹ For ACSD Model only, with -RC option, order the remote control keypad (TB-RC1-L) separately