



NEMA-3R

Saf-T-Ray™ Series

HOUSING

The premium die-cast aluminum housing is designed to withstand extreme weather conditions and yet provide aesthetically pleasing looks with a compact footprint. Ideal for damp, wet and cold location specifications, Saf-T-Ray provides a fully gasketed cover with the option of vandal-resistant screws. This unique wall-sconce is available in three textured powder coat paint finishes; white, black and dark gray (optional finishes available for custom projects – consult the factory).

DIFFUSER

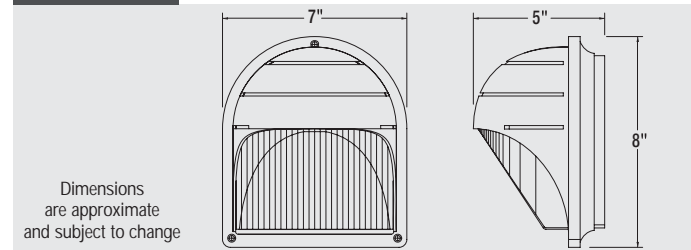
This specially manufactured polycarbonate diffuser maximizes light output, and completes the wall sconce decorative lines. Saf-T-Ray's robust polycarbonate lens is the ideal choice for applications where impact- and tamper-resistant emergency lighting is specified.

LAMP

Precise beam control is provided with two fully adjustable MR16 halogen lamps, secured in an attractive molded swivel assembly for maximum light output. Saf-T-Ray will provide an average of one-foot candle along the path of egress. Saf-T-Ray can also be used with the premium option of the high efficiency 3-Watt MR16 white LED lamp. IES photometric data files are available.



DIMENSIONS



ORDERING FORMAT

SAF	-2	/M6	-M	6	Option
Series	# of Lamps	Lamp Type/Wattage	Color	Voltage	
SAF=Exterior remote	-2=2 lamps (standard) -1=1 lamp (AC only)	/L5=LED5 watt (12V only) /M6=MR16-6 watt (6V only) /M10=MR16-10 watt (6V only) /M12=MR16-12 watt (12V-24V only) /M20=MR16, 20 watt (12V-24V only) /AC=1 med. base socket only (max. 60W), lamp not included, for non-emergency	-M=white -B=black -DG=dark gray DB=dark bronze	6=6V 12=12V 24=24V	-VR=vandal resistant screws



NEMA-4X

ELF650 Severe™ Series

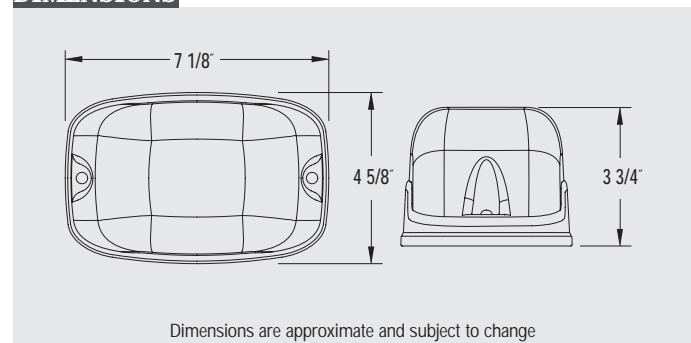
The Severe™ ELF650 Series Nema-4X rated remote fixtures have a fully gasketed cast aluminum back plate, with a clear UV and impact resistant cover. The remote delivers unsurpassed path of egress illumination – up to 70 feet, center-to-center when using 2-20W MR16-IR lamps. The ELF650 is available in single or double head models with the option of highly efficient MR16 lamps or the 5-watt, MR16 shape white LED. Easy lamp replacement, tool-less lamp aiming and easy installation on a four-inch octagonal box all make this remote the perfect choice for any environment. Comes standard with tamper-proof screws and bit. NSF Certified for food processing plants. Choice three colors, -white, black or gray. (Also available as a battery unit, refer to Severe™ V Series)



ORDERING FORMAT

ELF650	/M12	-M	12
Series	Lamp Type/Wattage	Color	Voltage
ELF650=single NEMA-4X	/M6=MR16-6 watt (6V only) /M10=MR16-10 watt (6V only)	-M=white -B=black -G=gray	6=6V 12=12V
EF650D=double NEMA-4X	/M12=MR16-12 watt (12V,24V) /MH20=MR16-20 watt-IR (12V only) /L5=LED 12V-5W (12V only)		24=24V

DIMENSIONS



PATENT PENDING