



## SERIES LCA-2SQ

TYPE: \_\_\_\_\_  
CATALOGUE #: \_\_\_\_\_  
NOTES: \_\_\_\_\_



### UL Listed

Complies with NEC, Life Safety Code and OSHA.

**Damp location listing is standard in all models.**

### Sealed Maintenance Free Batteries

- Lead-Calcium



The **LCA-2SQ Series** may be wall or ceiling mounted. Add the fact that the LCA-2SQ Series is damp location listed, installs in minutes and you have a very versatile job site solution for emergency lighting. Thermoplastic Emergency Lighting unit with adjustable lighting heads.

## Features

### ■ Reliability

The LCA-2SQ series has a three-year full warranty (excluding lamps and fuses).

### ■ Housing

- Injection-molded UV stabilized thermoplastic housing and backplate
- UL 94, 5VA flame rating
- Innovative, snap-together design allows for fast installation
- Two fully adjustable glare-free light heads for egress light

### ■ Mounting

- Wall or ceiling
- Universal knock-out pattern on the backplate allows for junction-box mounting.

## Electrical Features

### ■ Electrical

- 120/277VAC, 0.1/0.05 Amp, 60Hz dual voltage operation
- LED indicator light and push button test switch
- Remote capacity - may power additional remote heads (up to 6V 11W).
- Low voltage battery disconnect
- All models are damp location listed

### ■ Lamps

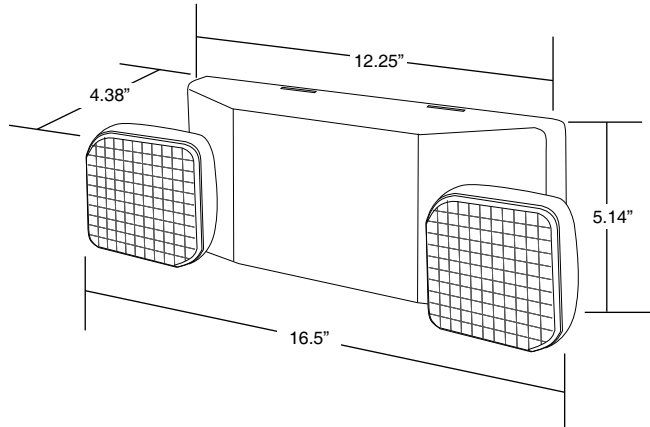
- 2 x 6V 5.4 watts DC T5 wedge base lamps for emergency mode

### ■ Battery

- Sealed maintenance-free Lead-Calcium battery designed to power 11 watts remote load or extended unit run time.

# Specifications For LCA-2SQ

Dimensions are approximate and subject to change.



## Optional Features

<b>Description</b>	<b>Add Suffix</b>
*Remote Capacity (in watts) .....	R
<b>Accessories (order as a separate item)</b>	
Replacement battery .....	860.0018
Replacement lamp (standard).....	570.0012
Vandal shield .....	CPS
Vandal shield (NEMA 4X) .....	CPS.4X
Wire Guard (heads in any position).....	WG10-L

Note: Certain option combinations may effect the listing.  
Please contact the factory for specifics.

### \*Unit Warranty

Entire unit (excluding lamps) carries a 3-year Full Warranty.

## Suggested Specification

The contractor will install the Lightalarms \_\_\_\_\_ battery unit. The emergency lighting system shall consist of fully automatic equipment with 2 glare free emergency heads. Each unit shall contain a fully automatic, solid state charger with test switch and AC-on pilot light. The unit shall contain a solid state transfer circuit and low voltage disconnect circuit. The battery shall be 6 volts with a design life of 8 years with a capacity of 12 watts for 90 minutes. The emergency heads shall use miniature incandescent lamps of 6V 6W each. The unit shall be UL924 listed.

*Note: This unit does not have remote capabilities. For units with remote capacity please refer to the DLM-2 series.*

### \*Battery Warranty

Sealed Lead-Calcium: 8-year life expectancy. 3-year Full Warranty, plus 3-year pro rata warranty.

*\*Subject to proper installation and maintenance.*

## Ordering Information

*Example: LCA-2SQ*

Series	Lamp Option	Capacity Indicator	Options
LCA= self-powered	-2SQ= 6V 5.4W incandescent	Blank= no remote capacity R= 11 watts remote capacity*	See optional features
		*Do not exceed rated unit capacity.	



**Thomas & Betts**