



ELF645, ELF645D, ELF645T

TYPE: _____

CATALOGUE #: _____

NOTES: _____



Emergency Lighting for Remote Fixtures

Single, double or triple lighting head with fully adjustable swivel



General Information

Single, double or triple lighting head with fully adjustable swivel; all thermoplastic construction. Tool-less aiming swivels: no more need for screwdriver.

Mounting: Standard with round plate for mounting directly to 4" outlet box. (4-gang plate for ELF645 optional.)

Finish: Mist White (-M), Gray (-G) or Black (-B)

Lamps: All lamps must be specified in the part number when ordering. ELF645 series may use:

- Wedge base incandescent
- Bi-pin halogen
- PAR36 sealed Beam.

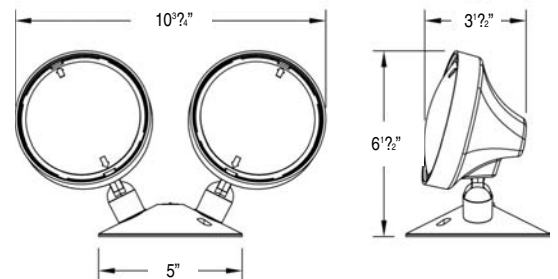
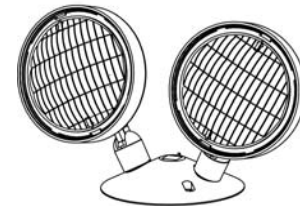
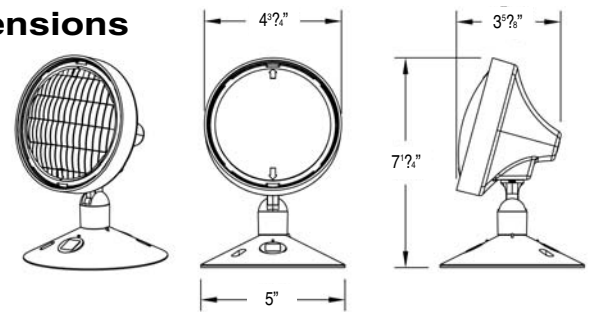
Standard Features

Lamp type(s), voltage and maximum wattage available for fixture are shown under lamp description. Determine lamp type, voltage and wattage required for your application, then select lamp from Lamp Chart in the Charts & Diagrams section. Do not exceed fixture wattage rating.

Include lamp suffix and voltage as suffix to model number.

VOLTAGE MUST BE STATED.

Dimensions



Ordering Format

Example: ELF645L9-M6

Series	Lamp Type	Color	Voltage
ELF645 = single	L9 = 9 watts	-M = mist white	6 = 6 volt
ELF645D = double		-G = gray	12 = 12 volt
ELF645T = triple		-B = black	24 = 24 volt

