



Remote Fixture

**Illuminating the Dark
 Decorating the Day**

PATENT PENDING  LISTED ADAcompliant

The **Camray™ Series** combines the photometrical performance to a visually appealing design.

An efficient reflector combined with two Xenon lamps deliver an incredible center-to-center spacing.

The die-cast aluminum housing is offered in a wide range of colors to complement any interior.

It will blend with the most sophisticated décor.

With it's fully gasket housing, the **Camray™ Series** is also ideal for extreme outdoor environments.

Designed to meet the needs of architects and designers without sacrificing safety, this fixture is available in a wide range of colors to complement any interior.

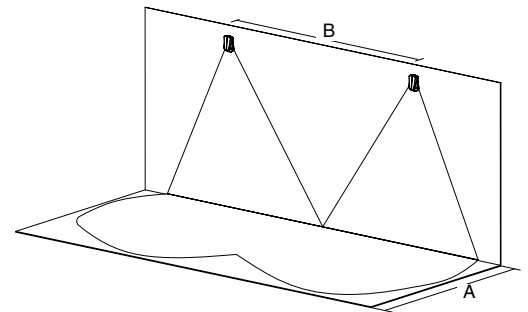
Options

The Camray™ Series is offered in remote and self-powered configurations. It can be used in a wide range of applications, environments:

- CAM Remote head: UL listed for damp, wet and cold locations. Operating temperature: -40 °C to +60 °C (-40°F to +140°F)

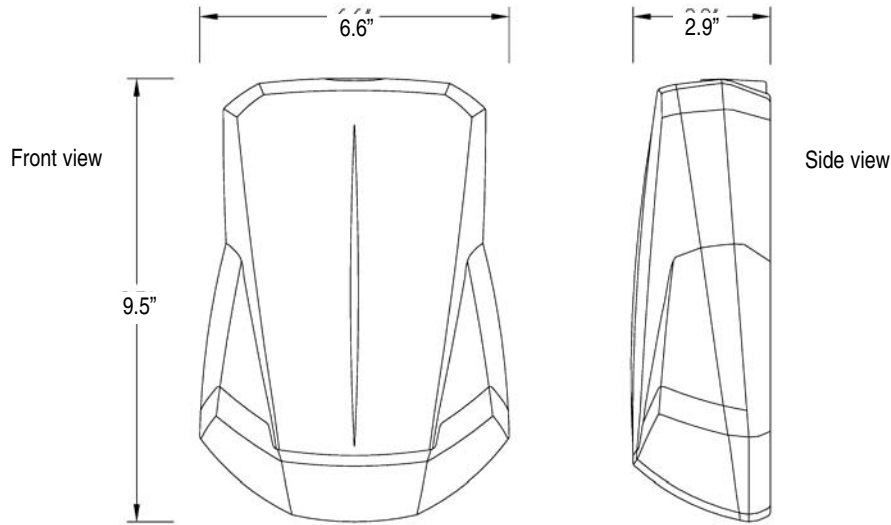
ISO Curve

| Lamp Type | Mounting height | Center-to-center | |
|-----------|-----------------|------------------|-------|
| | | A=3' | A=6' |
| 2 X 6W | 7.5' | B=28' | B=19' |
| | 8.5' | B=25' | B=18' |
| 2 X 10W | 7.5' | B=30' | B=28' |
| | 8.5' | B=34' | B=30' |



Note: Photometric results shown are based on a simulation using the AGI32 software with a 1 foot-candle average and 0.1 foot-candle minimum with a 40:1 maximum ratio. Lightalarms assumes no responsibility for local requirements or specific project variable. This is a guideline to be used as a design aid, not guarantee of any code compliance.

Specifications For Series Camray™



Features

Reliability

The Camray™ Series comes complete with a 3-year full warranty (excluding lamps and fuses).

Unit Data

The Camray™ units are made of durable cast aluminum housing, finish with textured polyester powder coat paint. Four colors are available: off white, black, platinum gray and dark bronze. The vacuum-plated die-cast reflector will last over time. The lens is made of an impact and UV resistant polycarbonate. Units can be installed on various J-box with the universal mounting pattern. It can also be surface mount using the rigid conduit entry provision on the top of the unit.

Lamp information

The Camray™ units are furnished with two high-output Xenon lamps. These lamps, combined with a patent pending reflector, deliver an incredible center-to-center spacing. The reflector has been designed to provide an evenly distributed illumination pattern for corridors, up to 6' wide.

Power Requirements

6 or 12Vdc

Ordering Information

Example: CAM/LX6-OW6

| Series | Lamp Wattage | Color | Options |
|---|-----------------------------|--|----------|
| CAM = remote fixture -40°C to +60°C (-40°C to +140°C) | /LX6 = 6V-6W Xenon lamps | -OW = off-white | 6 = 6V |
| | /LX10* = 6V-10W Xenon lamps | -B = black | 12 = 12V |
| | | -BZ = dark bronze | |
| | | -PG = platinum gray | |
| | | *Other colors available at a premium. Consult the factory. | |



Thomas & Betts