



SERIES 605P1

TYPE: _____

CATALOGUE #: _____

NOTES: _____



Decorative Style Equipment —6 Volt Maintenance-Free Lead Calcium Battery

Black Gimbal Available



Application: Classic high-hat style unit with gimbal mounted lamp, fully recesses into ceiling with only the lens and trim visible. Ideal for low ceilings and blends inconspicuously with existing recessed lighting schemes.

Features

- **CONSTRUCTION:** All components are contained in drawn steel box. Standard finish of trim is white plastic.
- **MOUNTING:** Recess mounts into ceiling. Comes standard with slide out chassis. Series 605P1 is UL Listed for use in insulated ceilings.
- **ELECTRONICS:**
 - Automatic, temperature compensated, pulse type charger
 - High capacity, automatic, dust tight instantaneous transfer relay
 - Low voltage disconnect prevents overdischarge of battery. Automatic brownout protection is provided
 - Labor saving AC line latch prevents battery discharge during installation to a non-energized circuit.
- **CONTROLS:**
 - Red charge monitor LED indicates state of charge of the battery.
 - Momentary test switch allows for quick operational check of entire system.
- **POWER REQUIREMENTS:**
120/277 Vac, 60Hz, 0.1/0.05 Amp.

Battery

6 volt, long life, maintenance-free sealed Lead Calcium, long life Lead Calcium or Nickel-Cadmium.

Lamp

Furnished with an 8 watt high intensity halogen lamp with a horizontal rotation of 358° and vertical angle adjustable to 42°. For isofootcandle distribution curves refer to the isofootcandle diagrams in the charts & diagrams section.

Accessories

Remote Test Switch-PSW

Options

(Add Suffix to Model No.) Suffix
 Black Housing and Gimbal-B
 NYC approved version-M*
 *Includes metal trim and gimbal assembly.

Note: Certain option combinations may affect the UL listing. Please contact the factory for specifics.

Unit Selection Chart

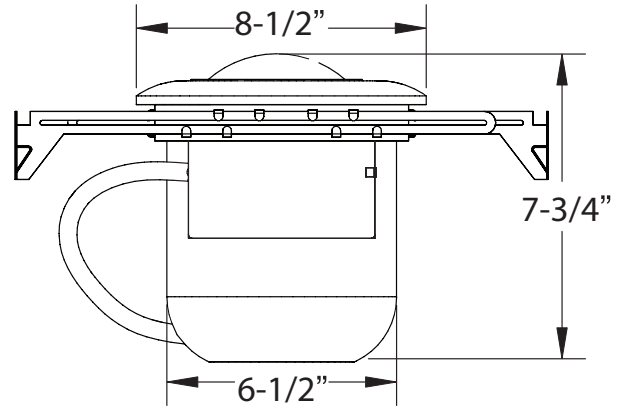
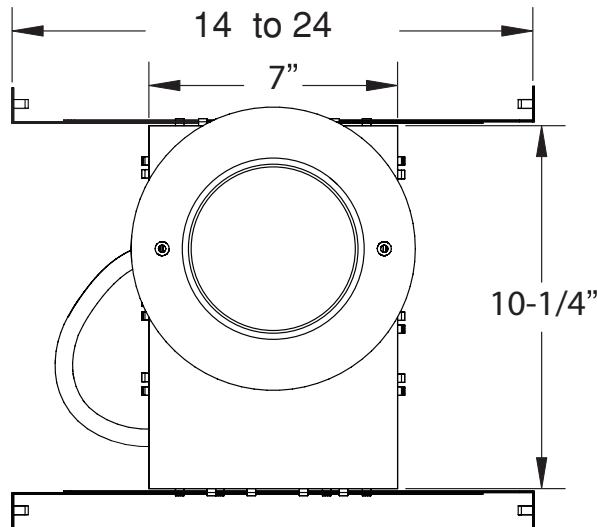
NO REMOTE CAPABILITY

Volts	Model No. (Unit/Lamp Suffix)	Battery Type	Capacity in Watts to 87 1/2 % of Nominal Battery Voltage				Standard Lamps		
			1 1/2 Hrs.	2 Hrs.	3 Hrs.	4 Hrs.	Watts/ Heads	Type	Lamp Rplc. No.
6	605P1/LH5-R	Lead Calcium	9	—	—	—	8	Halogen	580.0013
6	605E1/LH5-R	Long-life Lead	9	—	—	—	8	Halogen	580.0013

WITH REMOTE CAPABILITY

6	605C1/LH5-R	Nickel Calcium	18	12	9	—	8	Halogen	580.0013
6	605E2/LH5-R	Long-life Lead	18	11	8	—	8	Halogen	580.0013

Specifications For Series 605P1



GENERAL: The contractor will furnish and install 6 volt emergency lighting units, as indicated on all plans. Units shall be designed for recessed ceiling installation. Input power shall be 120/277 volt 60 Hz.

HOUSING: The upper side of the recessed steel housing shall contain the battery and charger. The lower portion of the housing will contain an 8 watt halogen lamp with a horizontal rotation of 358° and vertical angle adjustable to 42°.

BATTERY: Unit shall contain a choice of 6 volt sealed, non-refillable, maintenance-free, Lead Calcium battery, Long-Life Lead Calcium or Nickel-Cadmium.

TRANSFER: A heavy duty dust-tight transfer relay shall automatically and instantaneously connect the lamp load to the battery upon failure of the AC supply, and shall disconnect the lamps when normal power is restored.

CHARGER ASSEMBLY: An automatic, temperature compensated, pulse type charger shall be provided. The charger shall be reverse polarity protected, short-circuit proof and capable of recharging the battery in accordance with UL924.

A low voltage disconnect shall be provided to shut off the lamp load and circuitry when battery reaches 87½% discharge to protect battery from possible damage due to deep discharge. **Brownout circuit** shall be provided which activates emergency mode when AC power dips below 80-85% of nominal voltage. **AC line latch** circuit shall be provided which prevents battery discharge during installation to a non-energized circuit.

CONTROLS: **Charger monitor LED** shall be provided to indicate state of charge of the battery. **Momentary test switch** shall be provided to allow for periodic testing of the entire system.

WARRANTY: Entire unit (less lamps & fuses) shall carry a 3 year full warranty against defects in parts or workmanship under normal and proper use. The sealed Lead Calcium battery shall carry an additional 3 year pro-rata warranty.

MANUFACTURER:

Unit shall be Lightalarms Model _____ .

Ordering Information

Example: 605P1/LH5-R-M

Series	Battery Type Capacity	Lamp	Mounting	Options
605= series	P1= see chart	/LH5=	-R= recessed	-M= voltmeter

Unit Rating Chart

NO REMOTE CAPABILITY						
Volts	Model # (Unit/Lamp Suffix)	Battery Type	*Watts to 87-1/2% of Rated Battery Voltage			
			1-1/2 Hrs.	2 Hrs.	3 Hrs.	4 Hrs.
6	605P1/LH5-R	Lead-Calcium	9	—	—	—
6	605E1/LH5-R	Long-Life Lead	9	—	—	—
WITH REMOTE CAPABILITY						
6	605C1/LH5-R	Nickel-Calcium	18	12	9	—
6	605E2/LH5-R	Long-Life Lead	18	11	8	—

* National Electrical Code Specification



Thomas & Betts