

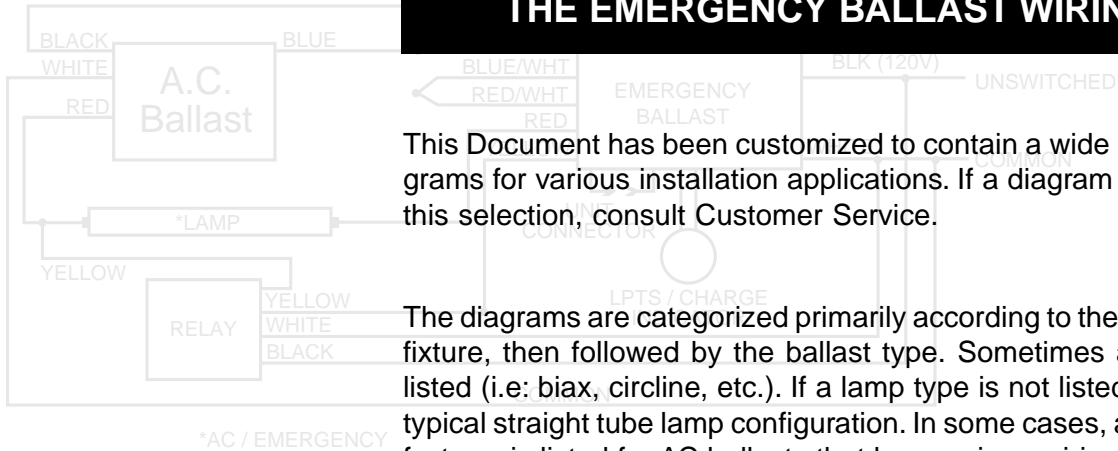
***Thomas & Betts***

**EMERGENCY BALLAST  
WIRING GUIDE**

rev. 103103



# HOW TO USE THE EMERGENCY BALLAST WIRING GUIDE



This Document has been customized to contain a wide library of individual diagrams for various installation applications. If a diagram cannot be found within this selection, consult Customer Service.

The diagrams are categorized primarily according to the number of lamps in the fixture, then followed by the ballast type. Sometimes a specific lamp type is listed (i.e: biax, circline, etc.). If a lamp type is not listed, the diagram shows a typical straight tube lamp configuration. In some cases, a specific ballast manufacturer is listed for AC ballasts that have unique wiring arrangements.

Diagrams for specific situations can be located within this PDF file by using the following methods:

## 1) USING THE NAVIGATION WINDOW

Use the Navigation window and select the Emergency Ballast for which the diagram is needed, then scroll through the list of applications to find the diagram(s) that meet the necessary criteria by clicking on the “plus” sign next to the Unit Model. (Many of the diagrams are bookmarked with identical descriptions. Examine the diagram for details as to whether or not it applies to your situation.)

NOTE: The order in which the pages are bookmarked is not indicative of the actual page order, therefore, continuing to the next page after a “Two Lamp Ballast” diagram may not necessarily take you to another “Two Lamp Ballast” diagram. To aid in locating specific diagrams, each has been bookmarked and categorized in the navigation window.

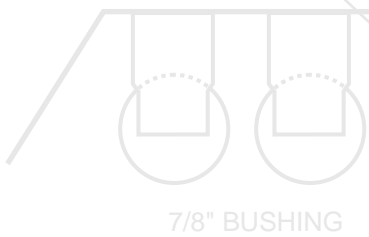
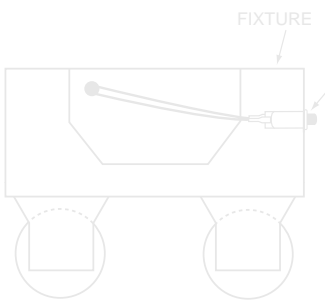
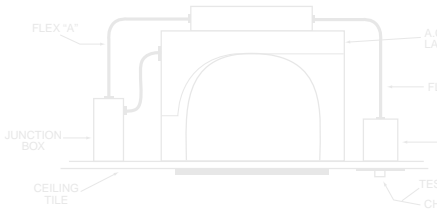
## 2) USING THE FIND COMMAND

Some diagrams feature a Model List for reference. If you know the actual model number of the AC ballast that the emergency unit is being wired to, you may use the “FIND” tool in the toolbar (Denoted by the binocular icon) to search the diagrams for that particular model. FIND commands may or may not be successful, since not all ballasts models are listed within this file.

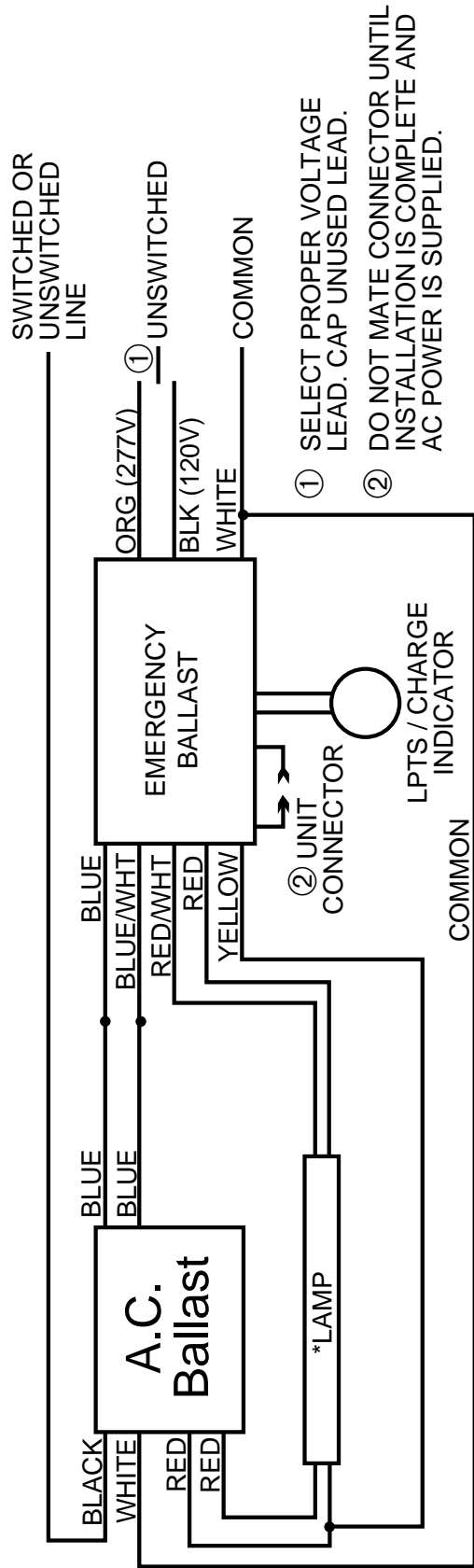
When using the FIND command, it may be helpful to search for only the first few letters or numbers of the model number (i.e. “RCN” or “ECO”) due to the nature of how the reference lists are compiled. Include any hyphens or slashes that may appear in the model number when using the FIND command.

This Guide is by no means an exhaustive record of all AC Ballast/Emergency Unit combinations. If a search using the FIND command or Navigation window is not successful, contact Customer Service for further assistance.

You may request an updated Wiring Diagram Guide at anytime. Please consult Customer Service to find out if a later version with any additions and/or corrections is available.



## ONE LAMP RAPID START BALLAST



### ADVANCE

- HM/VM-1P30-TP
- HM/VHM-1P20-TP
- LQ/VLQ-106F-TPP
- R/V-1P817-TP
- R/V-1P825-TP
- R/V-1P32-TP
- R/V-1P840-TP
- R/V-140-TP
- R/V-1U40P-TP
- RC/VC-160-TP
- RC/VC-1P40-TP
- RCN/VCN-1S32
- RCN/VCN-1S40
- REL/VEL-1S40-RH-TP
- RK/VK-132-TP
- RK/VK-134-TP
- RS/VS-160-TP
- REZ-132
- RIC/VIC-132-TP
- RIC/VIC-140-TP
- RZT/VZT-132\*

### EBT

- ECG-120/277-1/40 SR
- SSB1-120/277-1/40 LH

### GE

- G1-RL-T8-1LL-120/277
- G1-RN-T8-10C-120/277
- G1-RN-T8-1LL-120/277
- G1-RN-T12-1LL-120/277

### KINGTEC

- 132K120/277

### LUTRON

- ECO-T832-120/277-1\*
- FDB-4827-120/277-1\*

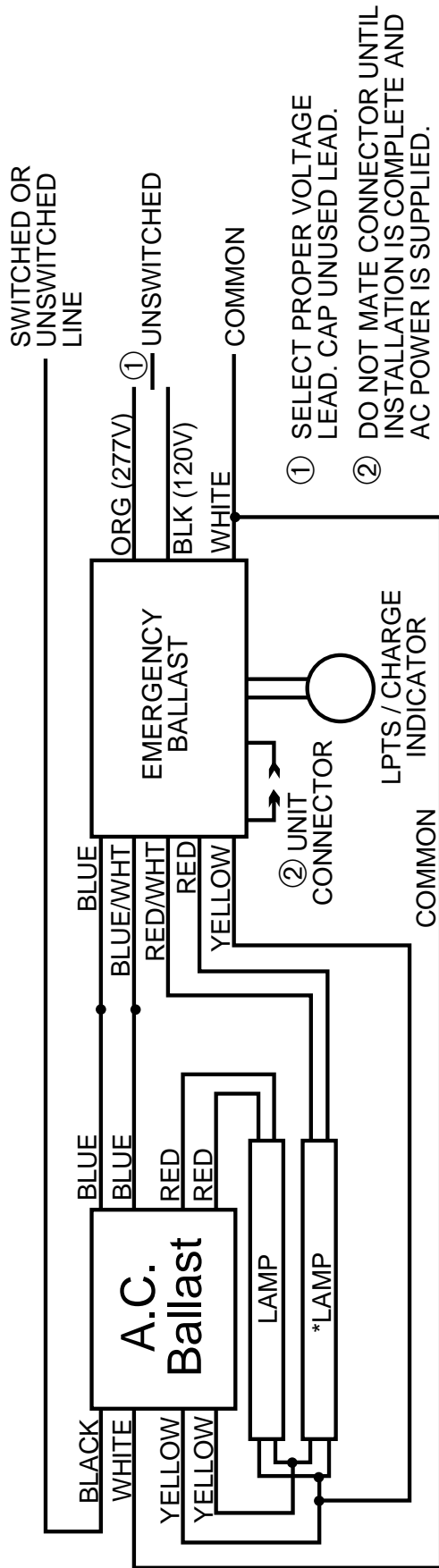
### MOTOROLA

- M1-RL-T8-1LL-A-120/277
- M1-RL-T8-050-D-120
- M1-RN-T12-1LL-B-120/277
- M1-RN-T8-10C-B-120/277
- M1-RN-T8-1LL-D-120/277
- M1-RV-T8-001-B-120

ALL COMPATIBLE BALLASTS MAY NOT BE LISTED.  
\*DIMMING CONTROL WIRES ARE NOT AFFECTED BY EM PACK

2LR5B

## TWO LAMP RAPID START BALLAST

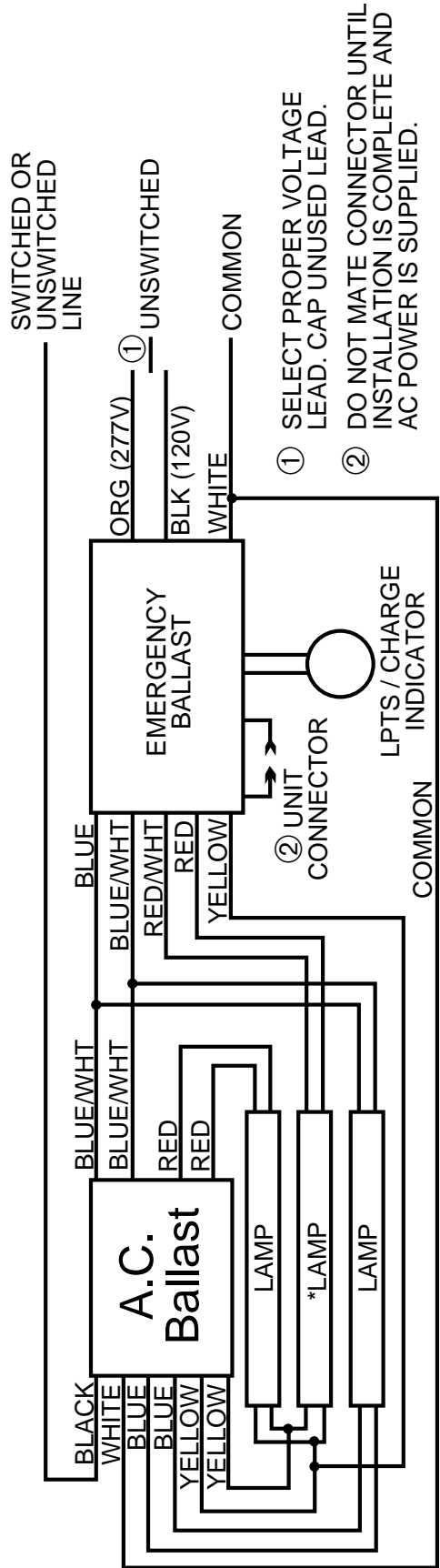


- ① SELECT PROPER VOLTAGE LEAD. CAP UNUSED LEAD.
- ② DO NOT MATE CONNECTOR UNTIL INSTALLATION IS COMPLETE AND AC POWER IS SUPPLIED.

ADVANCE
HM/VM-2SP20-TP
LQ-206F-TP
R/V-2P817-TP
R/V-2P825-TP
R/V-2P832-TP
R/V-2P840-TP
R/V-2S40-TP
R/V-2SP30-TP
RC/VC-2SP40-TP
RC/VC-2S85-TP/FO/RO
RC/VC-2S110-FO/RO
RCN/VCN-2S32
RCN/VCN-2S40
RC-2SP830-TP
REL/VEL-2S40-RH-TP
RL-2SP20-TP
RM-2S35-TP
RM/VM-2SP30-TP
RIC/VIC-2S32
RIC/VIC-2S40-TP
REZ/VEZ-2S32
RK/VK-2S32-TP
RK/VK-2S34-TP
RK/VK-2S40-TP
RK/VK-2S110-TP
EBT
ECG-120/277-2/32 SR
ECG-120/277-2/40 SR
SSB1-120/277-2/32 LH
SSB1-120/277-2/40 LH /-(75%)/-(MPX)
SSB7-120/277-2/32 LH
GE
G2-RH-T8-1LL-120/277
G2-RL-T8-1LL-120/277
G2-RN-T8-10C-120/277
G2-RN-T8-1LL-120/277
G2-RN-T12-1LL-120/277
KINGTEC
232K120/277
232K120-75%
232K2120
240K120/277
MAGNETEK
GB 2X32/FL/RVHP
LUTRON
ECO-T832-120/277-2*
FDB-4827-120/277-2*
MAGNETEK
B232 R277 HP
MOTOROLA
M2-RH-T8-1LL-B-120/277
M2-RL-T8-1LL-A-120/277
M2-RN-T12-1LL-B-120/277
M2-RN-T8-10C-B-120/277
M2-RN-T8-1LL-D-120/277

ALL COMPATIBLE BALLASTS MAY NOT BE LISTED.  
\*DIMMING CONTROL WIRES ARE NOT AFFECTED BY EM PACK

# THREE LAMP RAPID START BALLAST



\*AC / EMERGENCY

**ADVANCE**

- R/V-3S34-TP
- RCN/VCN-3S32
- RCN/VCN-3S40
- REL/VEL-3S40-RH-TP
- RIC/VIC-3S32-TP
- RIC/VIC-3S40-TP
- RL-3SP20-TP
- RK/VK-3S34-TP
- RZT/VZT-3S32\*
- REZ/VEZ-3S32\*

**EBT**

- SSB1-120/277-3/32 LH
- SSB1-120/277-3/40 LH

**GE**

- G3-RL-T8-1LL-120/277
- G3-RN-T8-10C-120/277
- G3-RN-T8-1LL-120/277
- G3-RN-T12-1LL-120/277

**LUTRON**

- ECO-T832-120/277-3\*
- FDB-4827-120/277-3\*

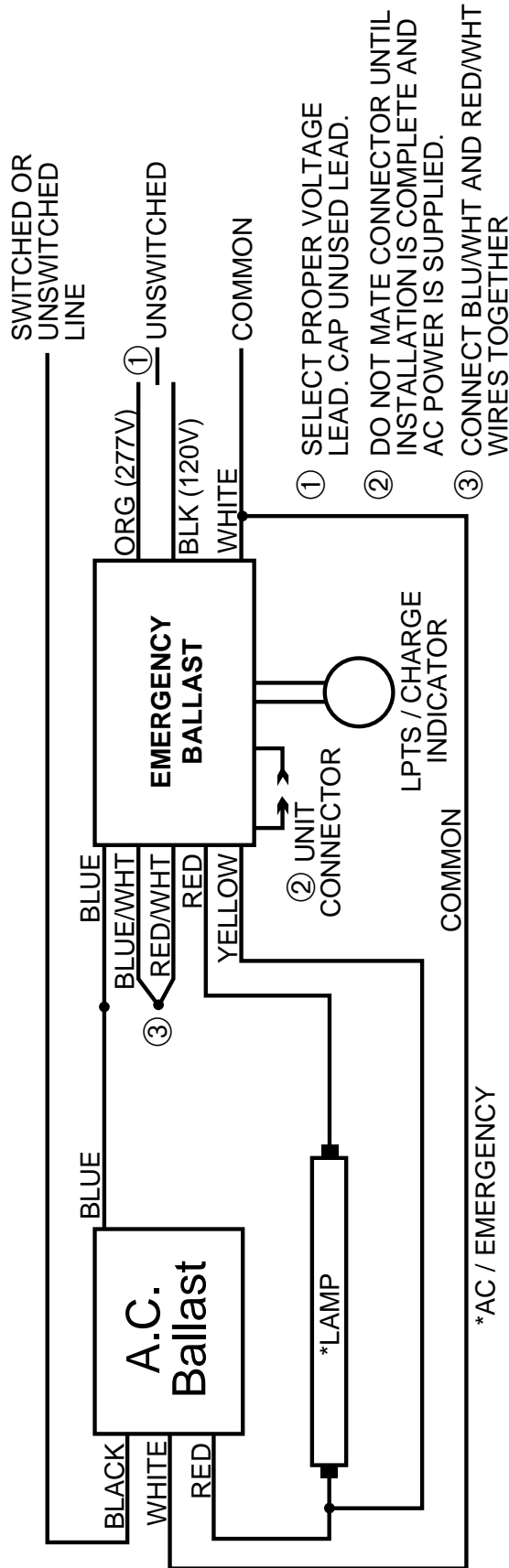
**MOTOROLA**

- M3-RL-T8-1LL-A-120/277
- M3-RN-T12-1LL-B-120/277
- M3-RN-T8-1LL-A-120/277

ALL COMPATIBLE BALLASTS MAY NOT BE LISTED.  
 \*DIMMING CONTROL WIRES ARE NOT AFFECTED BY EM PACK

1LISB

## ONE LAMP INSTANT START BALLAST



### ADVANCE

RCN/VCN-1P32  
REL/VEL-1P32-RH-TP  
REL/VEL-1P32-SC

### EBT

ECG-120/277-1/32 PI  
SSB2-120/277-1/32 IS LH

### GE

G1-IN-T8-120/277

### GOLDSTAR

GB 1x32/FL/I/120-277  
GB 1x32/FL/I/120L-277L

### HOWARD

E1/32IS-120/277  
EC1/32IS-120/277  
ECL1/32IS-120/277  
EL1/32IS-120/277

### KINGTEC

132K120-IS/277-IS

### MAGNETEK

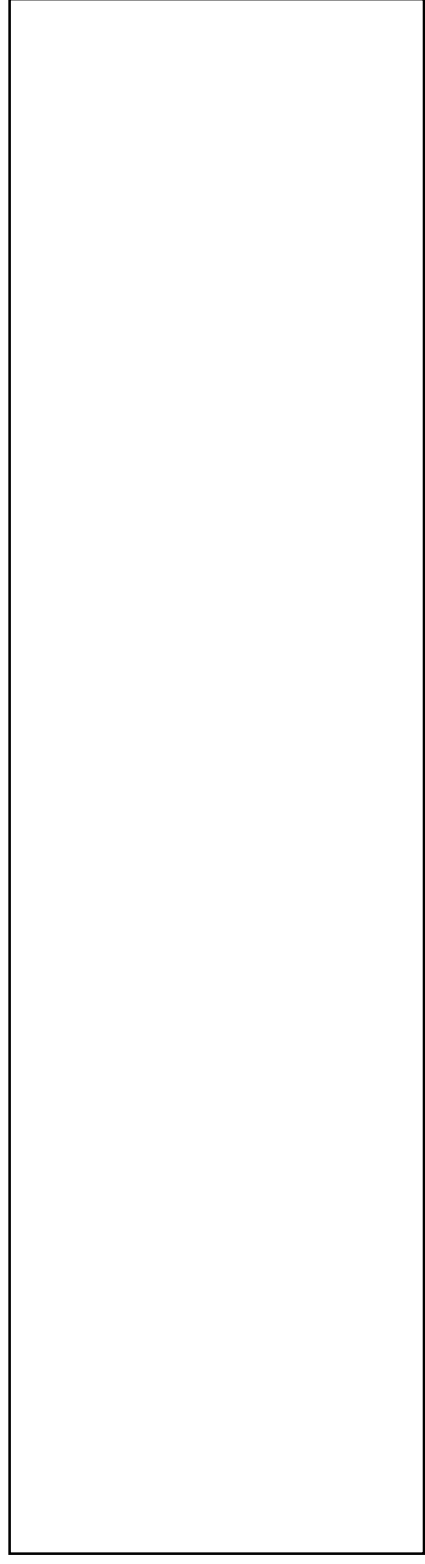
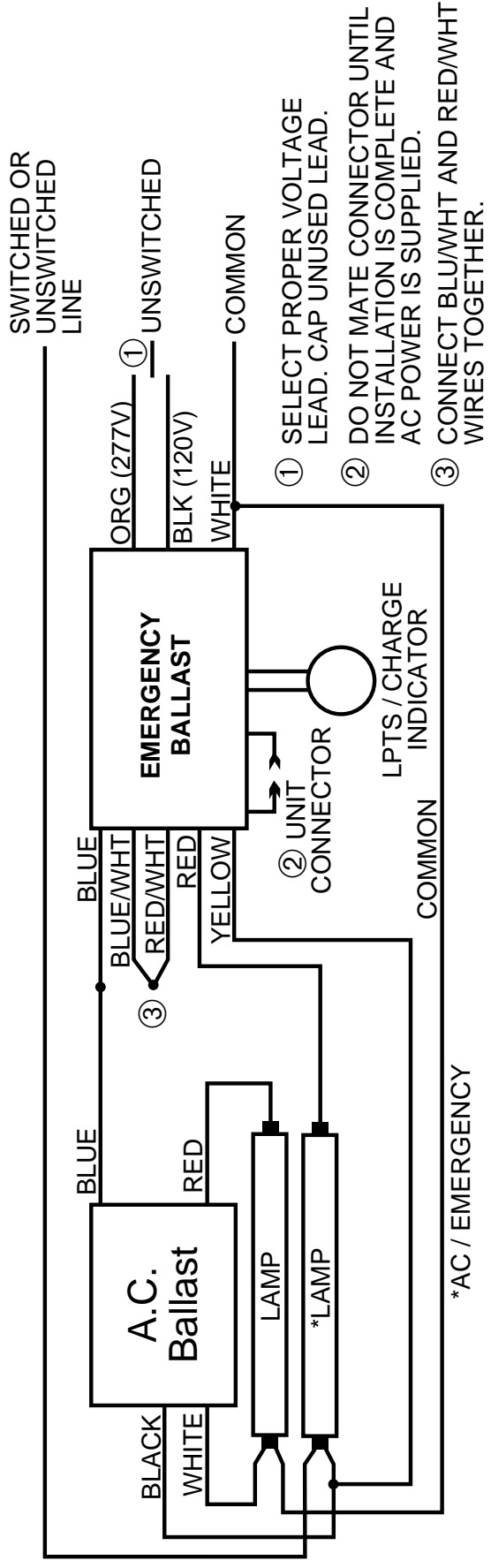
B1321120/277HP  
B1321120/277RH

### MOTOROLA

M1-IN-T8-1LL-D-120/277  
M1-IN-T8-D-120/277  
M1-IN-T8-GP-D-120/277

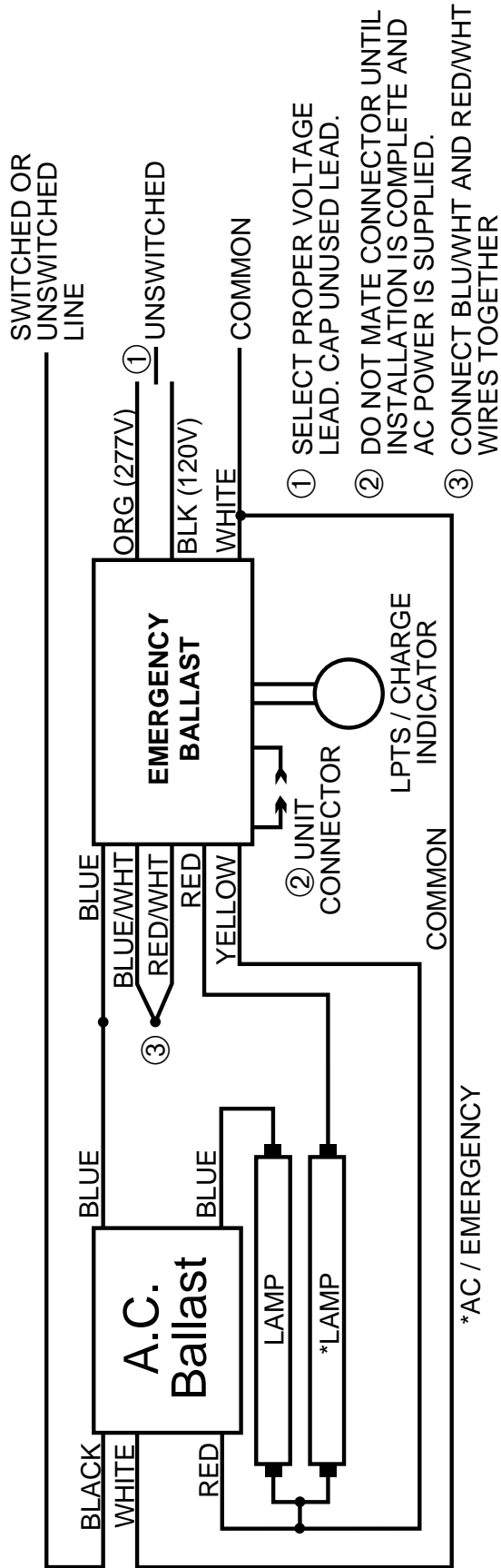
ALL COMPATIBLE BALLASTS MAY NOT BE LISTED.  
\*DIMMING CONTROL WIRES ARE NOT AFFECTED BY EM PACK

# TWO LAMP INSTANT START BALLAST



2LISB2

## TWO LAMP INSTANT START BALLAST



### ADVANCE

RCN/VCN-2P32 /(-LW)  
REL/VEL-2P17-RH-TP  
REL/VEL-2P32-LW-RH-TP  
REL/VEL-2P32-RH-TP  
REL/VEL-2P32-SC

### EBT

ECG-120/277-2/32 PI  
SSB2-120/277-2/17 IS LH  
SSB2-120/277-2/32 IS LH  
SSB2-120/277-2/32 IS MPX LH

### GE

G2-IN-T8-120/277

### GOLDSTAR

GB 2x32/FL/I/120-277  
GB 2x32/FL/I/120L-277L  
GB 2x32/FL/I/120HBF-277HBF

### HOWARD

E2/32IS-120/277  
EC2/32IS-120/277

### KINGTEC

232K120-IS/277-IS

### MAGNETEK

B2321120/277HP  
B2321120/277RH

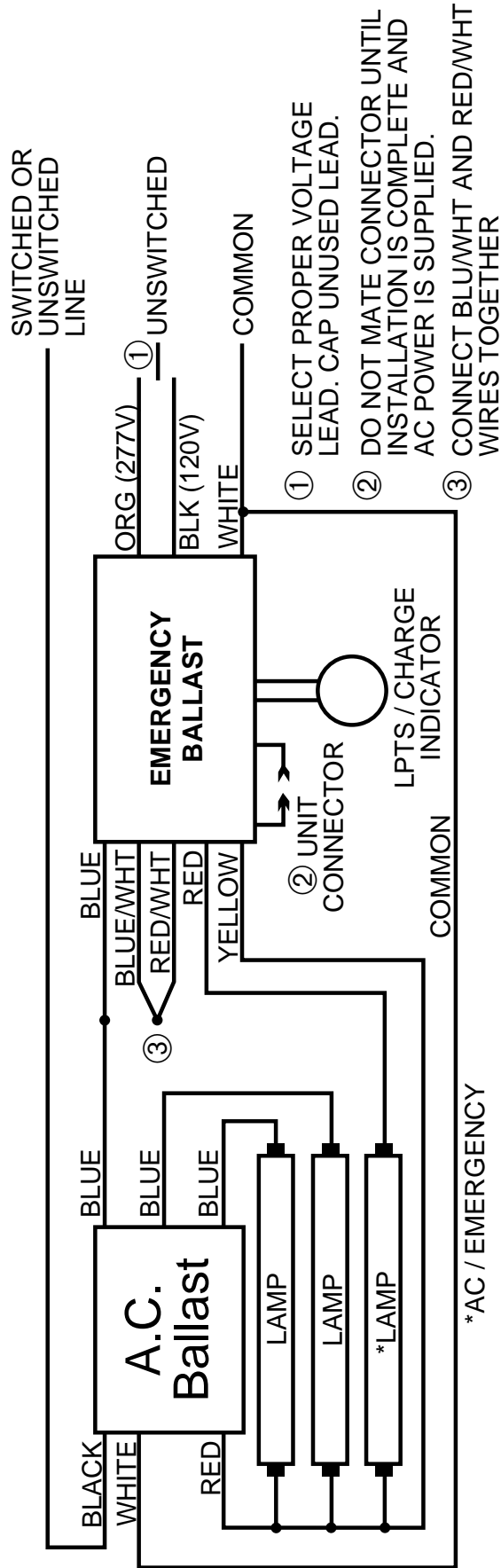
### MOTOROLA

M2-IN-T8-D-120/277  
M2-IN-T8-1LL-D-120/277  
M2-IL-T8-GP-D-120/277  
M2-IN-T8-GP-D-120/277

ALL COMPATIBLE BALLASTS MAY NOT BE LISTED.  
\*DIMMING CONTROL WIRES ARE NOT AFFECTED BY EM PACK

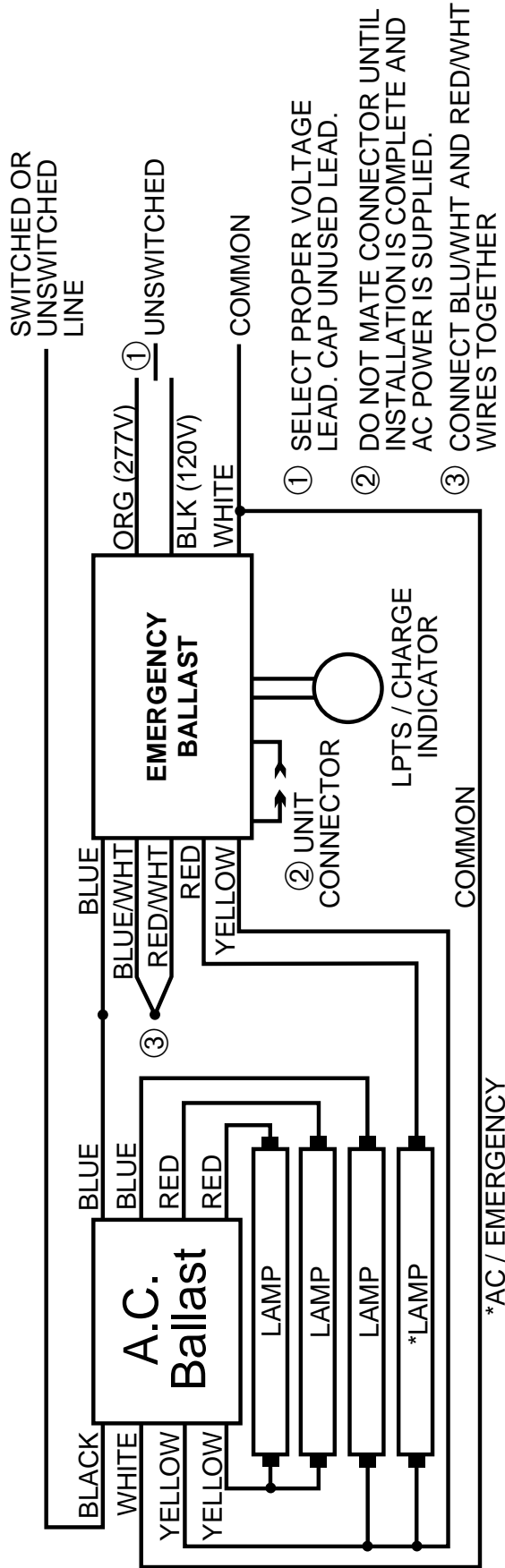


# THREE LAMP INSTANT START BALLAST



<b>ADVANCE</b>
RCN/VCN-3P32 REL/VEL 3P32-RH-TP REL/VEL 3P32-LW-RH-TP
<b>EBT</b>
SSB2-120/277-3/32 IS LH
<b>GE</b>
G3-IN-T8-120/277
<b>GOLDSTAR</b>
GB 3x32/FL/I/120-277 GB 3x32/FL/I/120L-277L
<b>HOWARD</b>
E3/32IS-120/277 EC3/32IS-120/277 ECL3/32IS-120/277 EL3/32IS-120/277
<b>MAGNETEK</b>
B332I120/277RH B332I120/277HP
<b>MOTOROLA</b>
M3-IL-T8-GP-A-120/277 M3-IN-T8-A-120/277 M3-IN-T8-D-120/277 M3-IN-T8-GP-A-120/277
ALL COMPATIBLE BALLASTS MAY NOT BE LISTED. *DIMMING CONTROL WIRES ARE NOT AFFECTED BY EM PACK

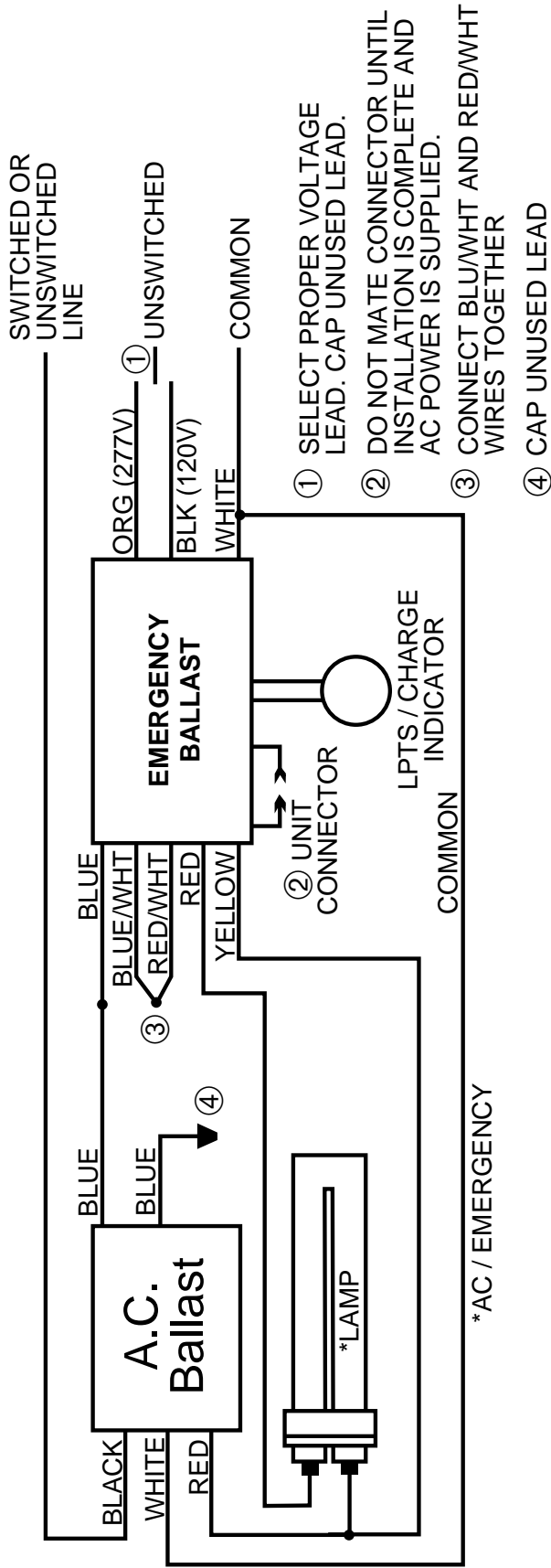
# FOUR LAMP INSTANT START BALLAST



<b>ADVANCE</b>
RCN/VCN-4P32 REL/VEL-4P32-RH-TP REL/VEL-4P32-LW-RH-TP
<b>EBT</b>
SSB2-120/277-4/32 IS LH /-(75%)
<b>GE</b>
G4-IN-T8-120/277
<b>GOLDSTAR</b>
GB 4x32/FL/I/120-277 GB 4x32/FL/I/120L-277L
<b>HOWARD</b>
E4/32IS-120/277 EC4/32IS-20/277
<b>KINGTEC</b>
432K120-IS/277-IS 432K120-75%
<b>MAGNETEK</b>
B4321120/277HP B4321120/277RH
<b>MOTOROLA</b>
M4-IL-T8-GP-A-120/277 M4-IN-T8-A-120/277 M4-IN-T8-D-120/277 M4-IN-T8-GP-A-120/277
ALL COMPATIBLE BALLASTS MAY NOT BE LISTED. *DIMMING CONTROL WIRES ARE NOT AFFECTED BY EM PACK

1LBX

# ONE LAMP BIAx

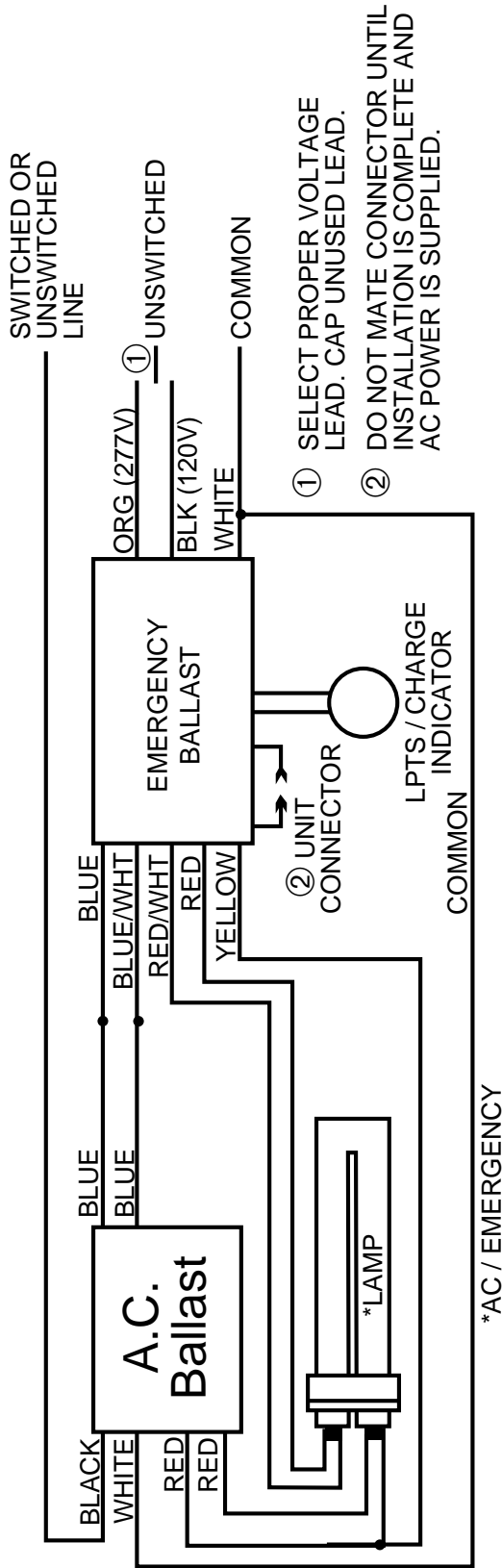


MAGNETEK  
C2401120/277RH

ALL COMPATIBLE BALLASTS MAY NOT BE LISTED.  
\*DIMMING CONTROL WIRES ARE NOT AFFECTED BY EM PACK

1BXLRSB

## ONE BIAx LAMP RAPID START BALLAST



### ADVANCE

R/V-1BP27-TP  
R/V-1BP39-TP  
R/V-1BP40-TP

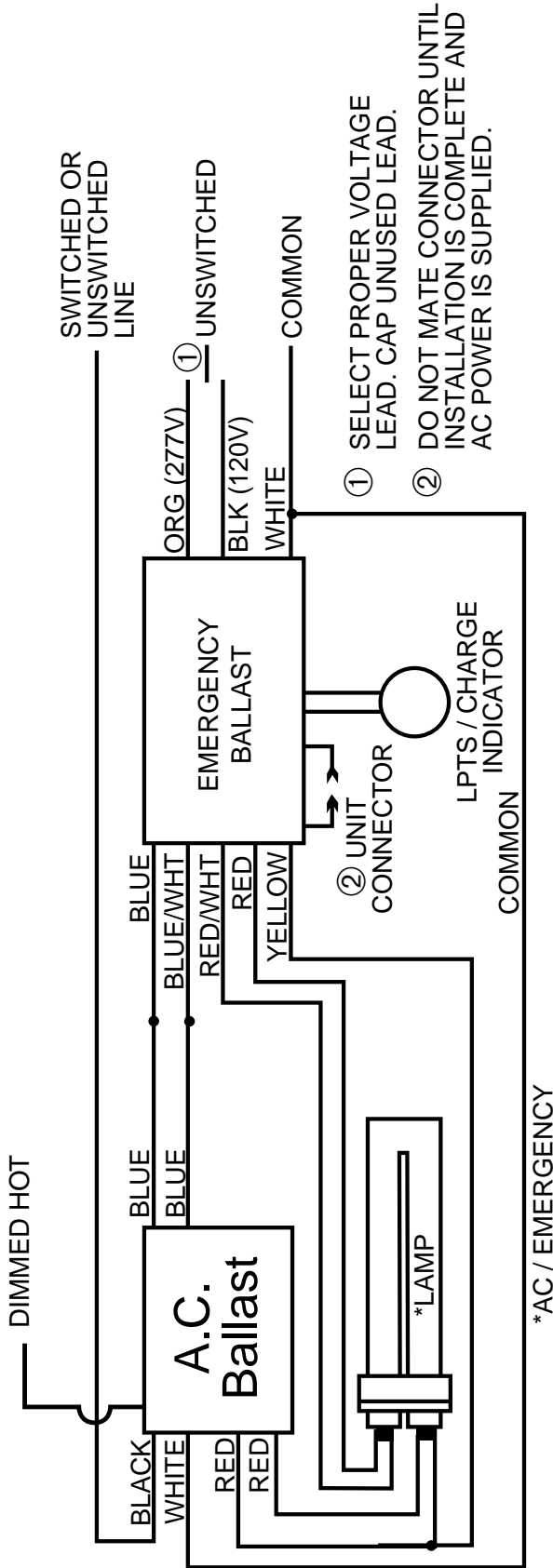
### MOTOROLA

M1-RL-T8-1LL-A-120/277  
M1-RL-T8-050-D-120  
M1-RN-T12-1LL-B-120/277  
M1-RN-T8-10C-B-120/277  
M1-RV-T8-001-B-120

ALL COMPATIBLE BALLASTS MAY NOT BE LISTED.  
\*DIMMING CONTROL WIRES ARE NOT AFFECTED BY EM PACK

1BXLRSB\_DM

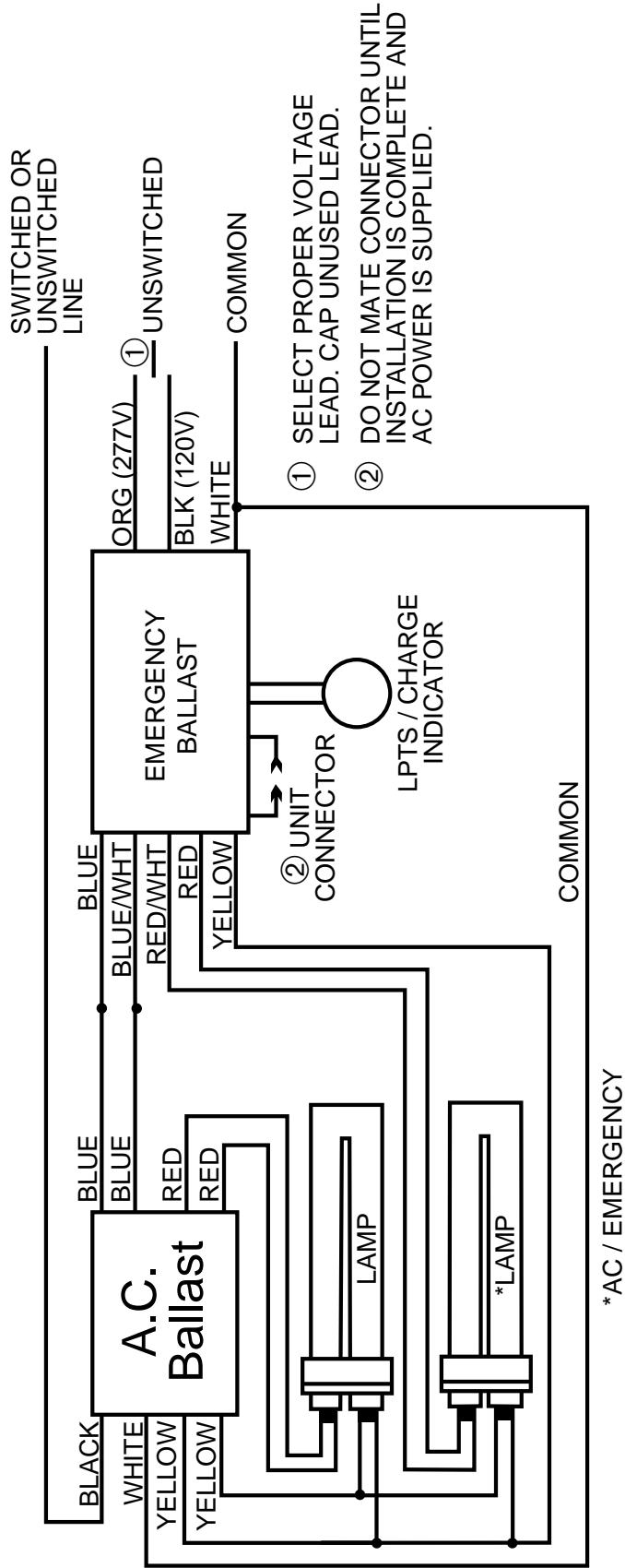
# ONE BIAx LAMP RAPID START BALLAST



**LUTRON**  
ECO-T540-120/277-1

ALL COMPATIBLE BALLASTS MAY NOT BE LISTED.  
\*DIMMING CONTROL WIRES ARE NOT AFFECTED BY EM PACK

## TWO BIAX LAMP RAPID START BALLAST



### ADVANCE

R/V-2BS27-TP  
R/V-2BS39-TP  
R/V-2BS40-TP

### EBT

SSB1-120/277-2/39 TT LH  
SSB1-120/277-2/40 TT LH /-(75%)

### GE

G2-RN-T5/40-ILL-120/277

### LUTRON

ECO-T540-120/277-2

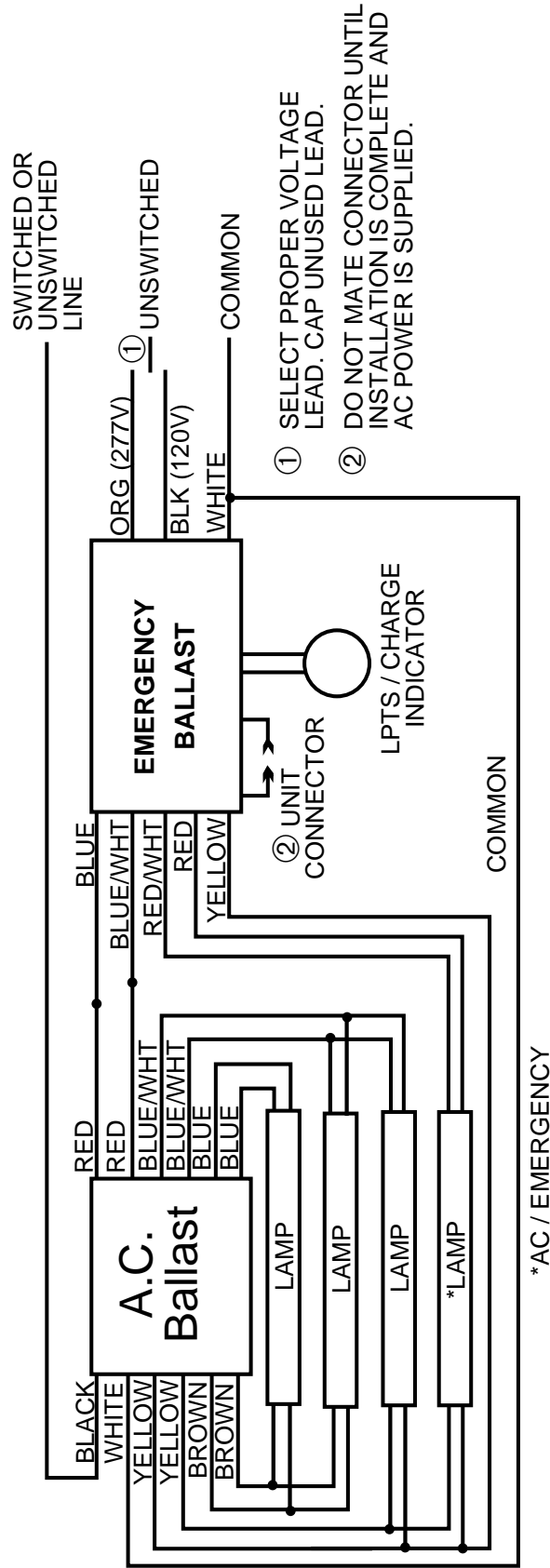
### MOTOROLA

M2-RN-T5/40-1LL-B-120/277  
M2-RH-T8-1LL-B-120/277  
M2-RL-T8-1LL-A-120/277  
M2-RN-T12-1LL-B-120/277  
M2-RN-T8-10C-B-120/277  
M2-RN-T8-1LL-D-120/277

ALL COMPATIBLE BALLASTS MAY NOT BE LISTED.  
\*DIMMING CONTROL WIRES ARE NOT AFFECTED BY EM PACK

4LR5B

## FOUR LAMP RAPID START BALLAST



### ADVANCE

RC-4S60-TP  
RC-4S85-TP  
VCN-4S32-SC

### GE

G4-RL-T8-1LL-120/277  
G4-RN-T8-10C-120/277  
G4-RN-T8-1LL-120/277

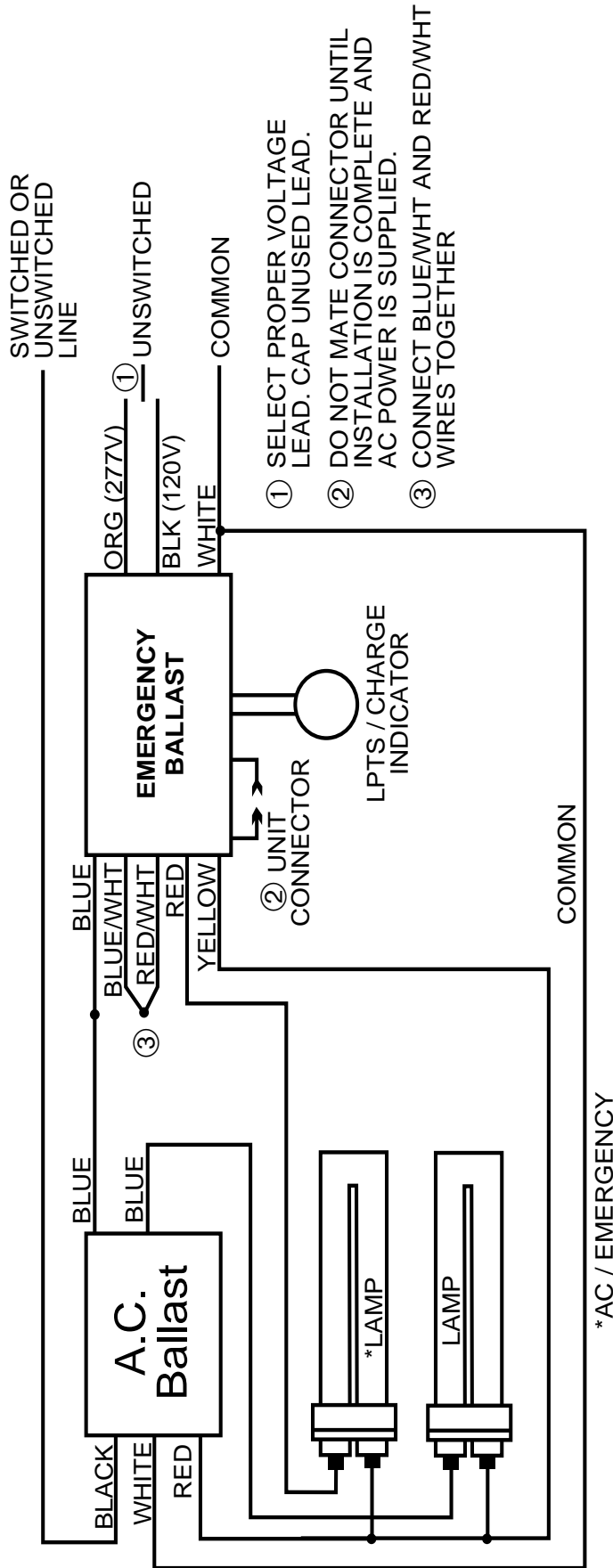
### MOTOROLA

M4-RL-T8-1LL-A-120/277  
M4-RL-T8-1LL-B-120/277  
M4-RN-T8-1LL-A-120/277  
M4-RN-T8-1LL-B-120/277

ALL COMPATIBLE BALLASTS MAY NOT BE LISTED.  
\*DIMMING CONTROL WIRES ARE NOT AFFECTED BY EM PACK

2LISBX

## TWO BIAX LAMP INSTANT START BALLAST



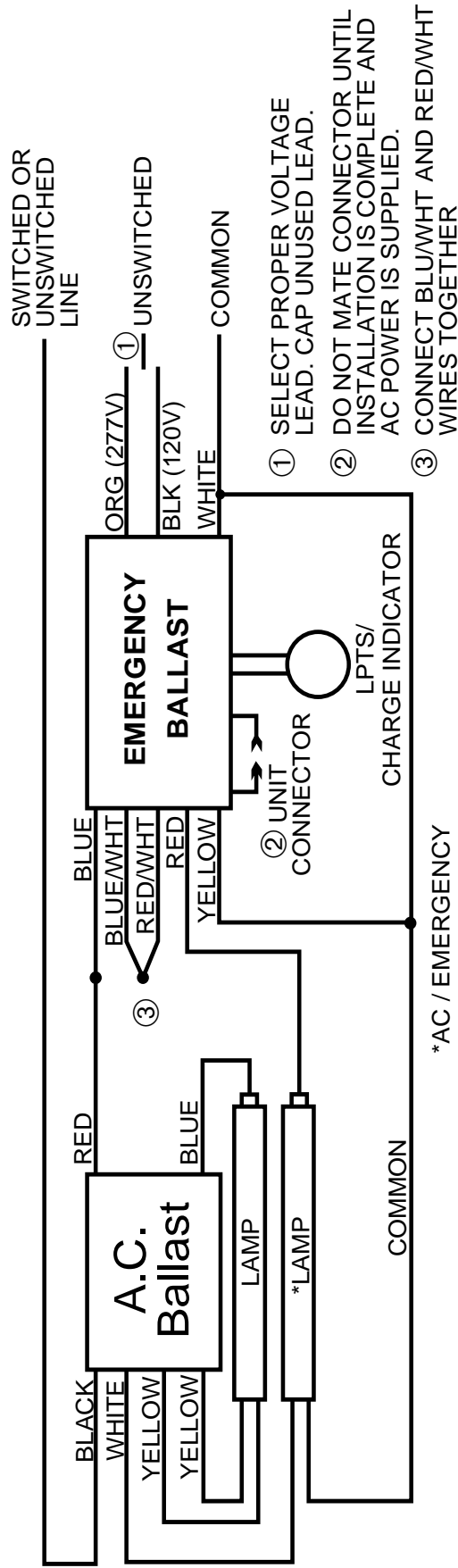
MAGNETEK
B2321120/277HP
B2321120/277RH
MOTOROLA
M2-IL-T8-GP-120/277
M2-IN-T8-D-120/277
M2-IN-T8-1LL-D-120/277
M2-IN-T8-GP-120/277

ALL COMPATIBLE BALLASTS MAY NOT BE LISTED.  
\*DIMMING CONTROL WIRES ARE NOT AFFECTED BY EM PACK

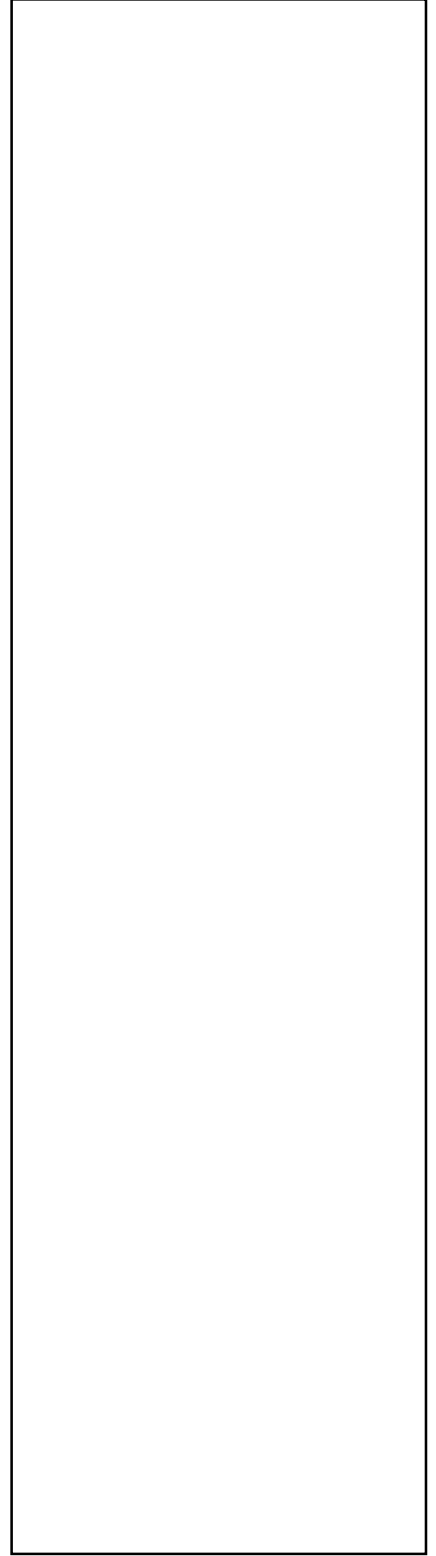


2LMB

# TWO LAMP BALLAST

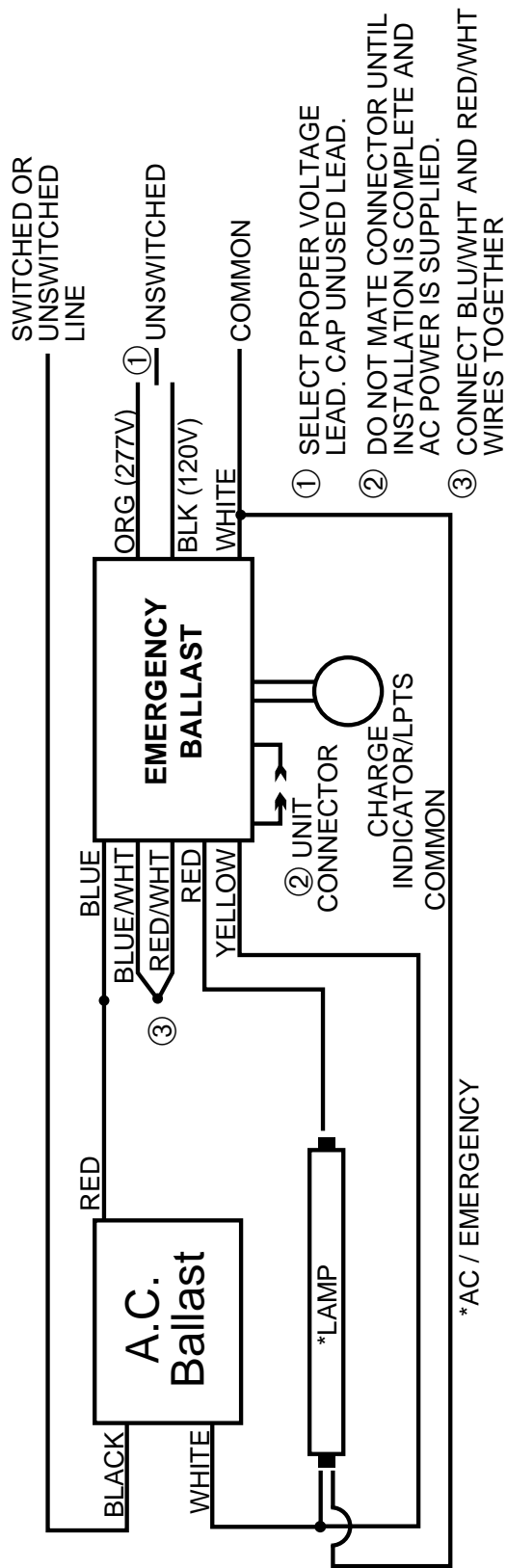


- ① SELECT PROPER VOLTAGE LEAD. CAP UNUSED LEAD.
- ② DO NOT MATE CONNECTOR UNTIL INSTALLATION IS COMPLETE AND AC POWER IS SUPPLIED.
- ③ CONNECT BLU/WHT AND RED/WHT WIRES TOGETHER



1LMB

### ONE LAMP MAGNETIC BALLAST



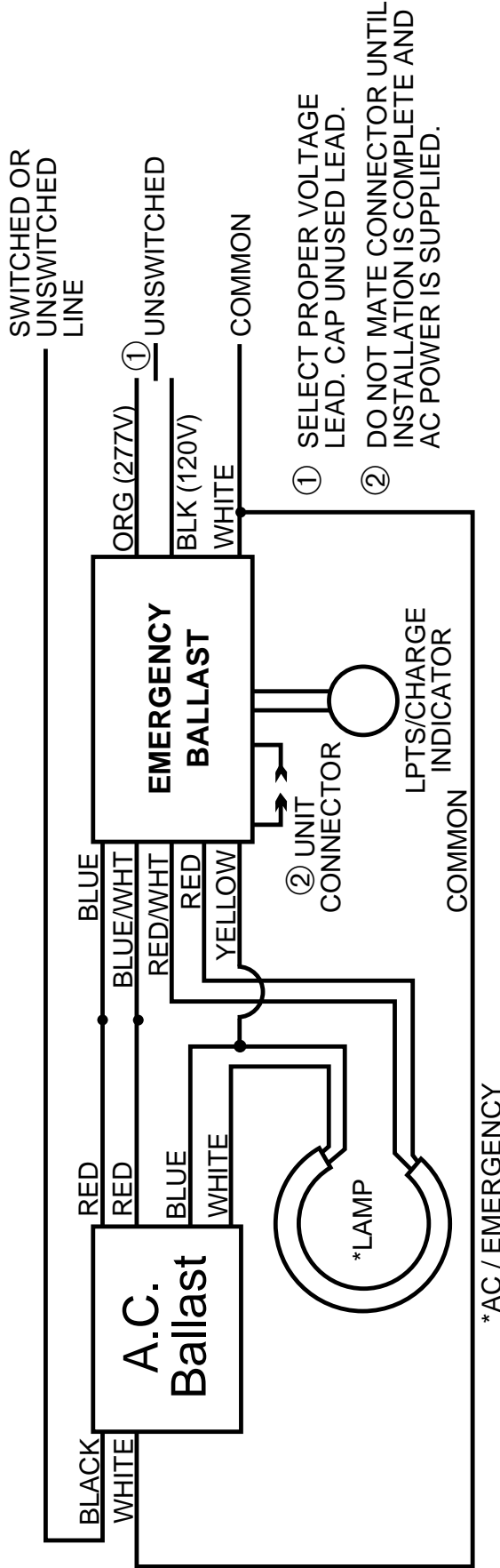
- ① SELECT PROPER VOLTAGE LEAD. CAP UNUSED LEAD.
- ② DO NOT MATE CONNECTOR UNTIL INSTALLATION IS COMPLETE AND AC POWER IS SUPPLIED.
- ③ CONNECT BLU/WHT AND RED/WHT WIRES TOGETHER





1LCRSB

## ONE LAMP CIRCLINE RAPID START BALLAST



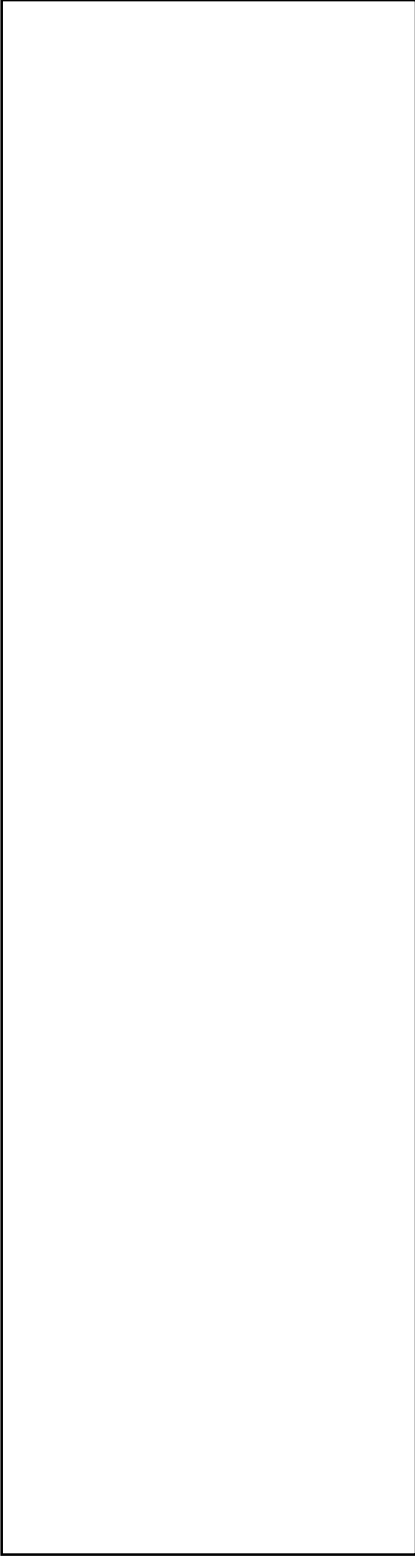
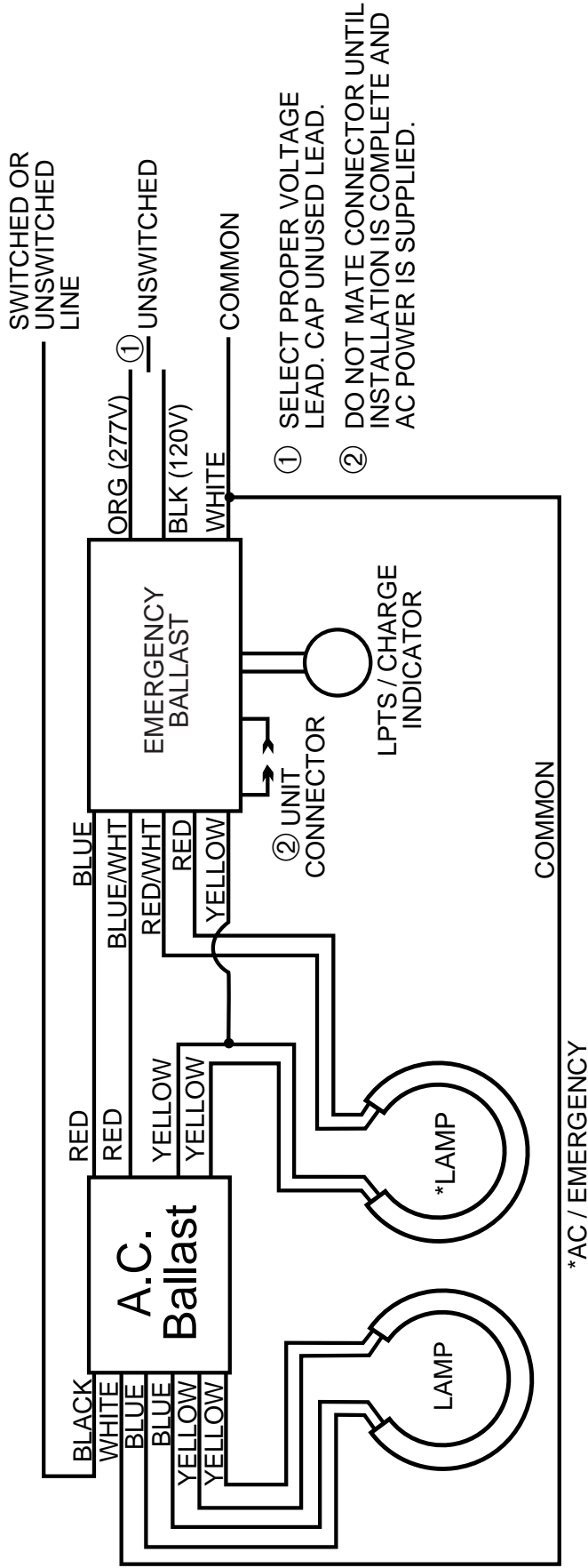
### ADVANCE

RLCS-140-TP  
RLOS-122-TP

ALL COMPATIBLE BALLASTS MAY NOT BE LISTED.  
\*DIMMING CONTROL WIRES ARE NOT AFFECTED BY EM PACK

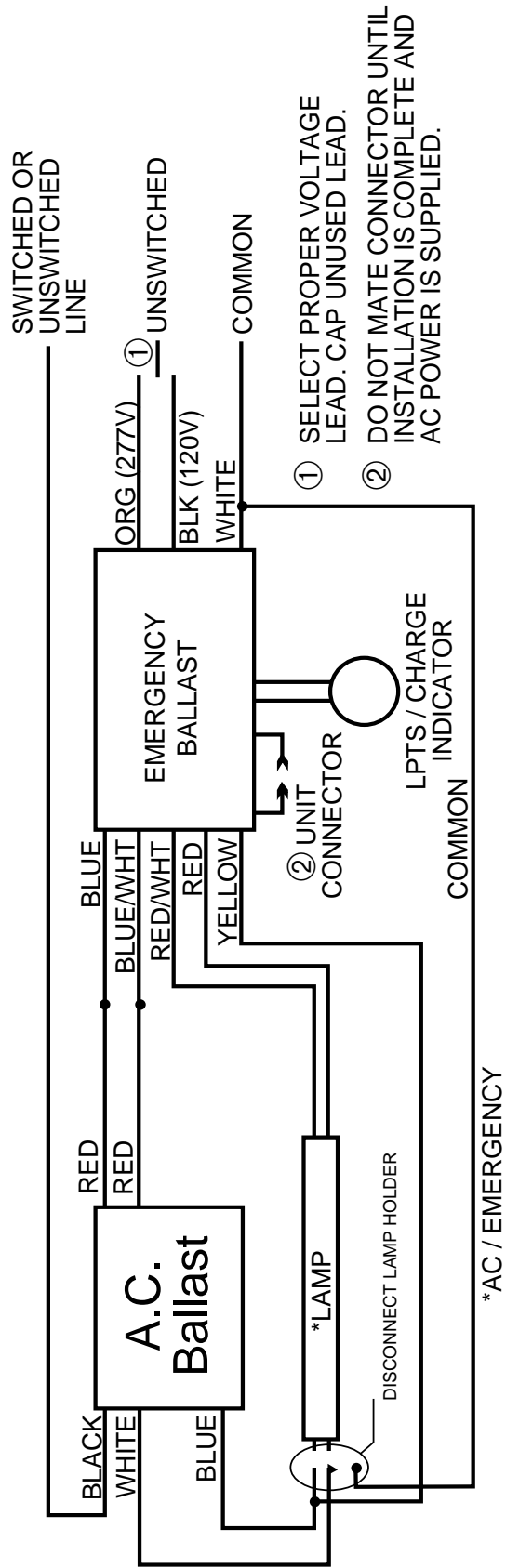
3LR5B

# TWO LAMP CIRCLINE RAPID START BALLAST



1LLAG

## ONE LAMP LAG BALLAST



ADVANCE

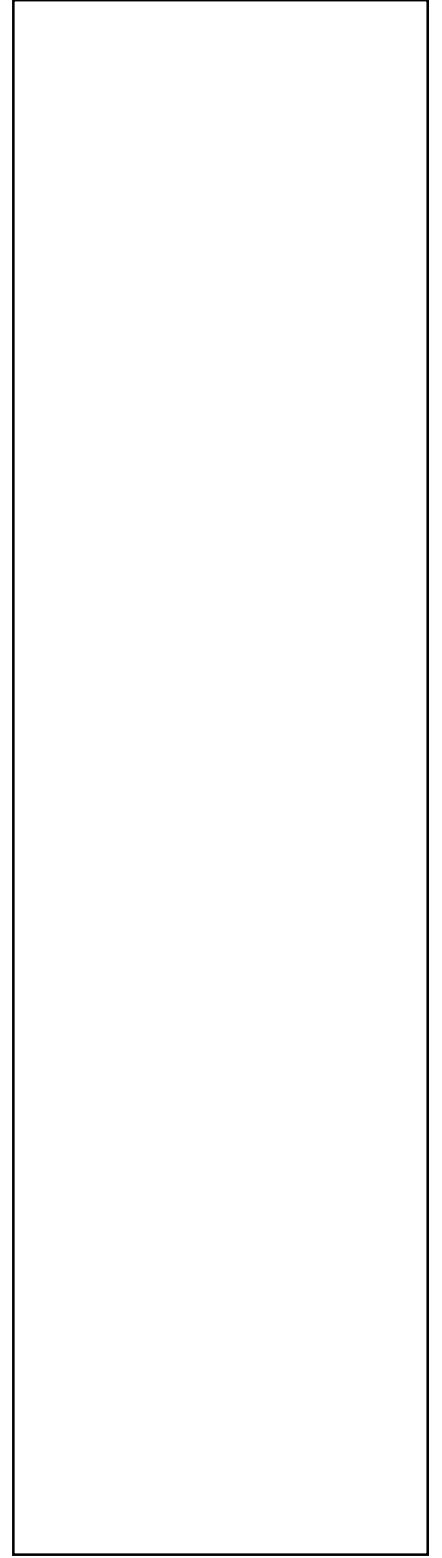
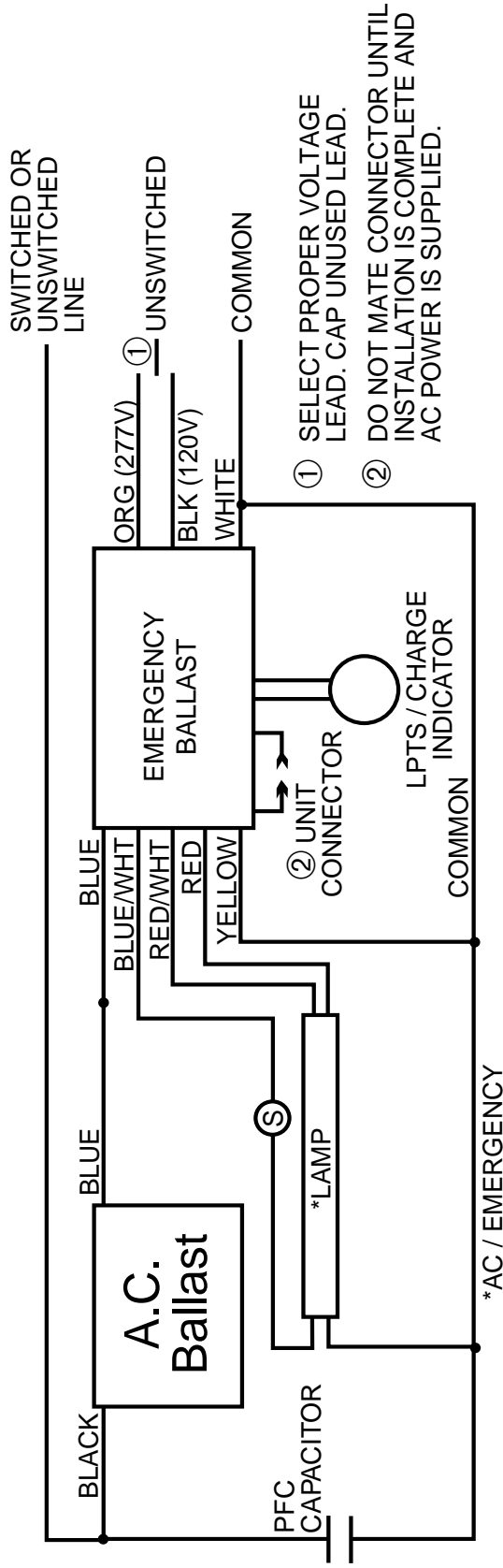
RL-140-TP

MAGNETEK

543-B

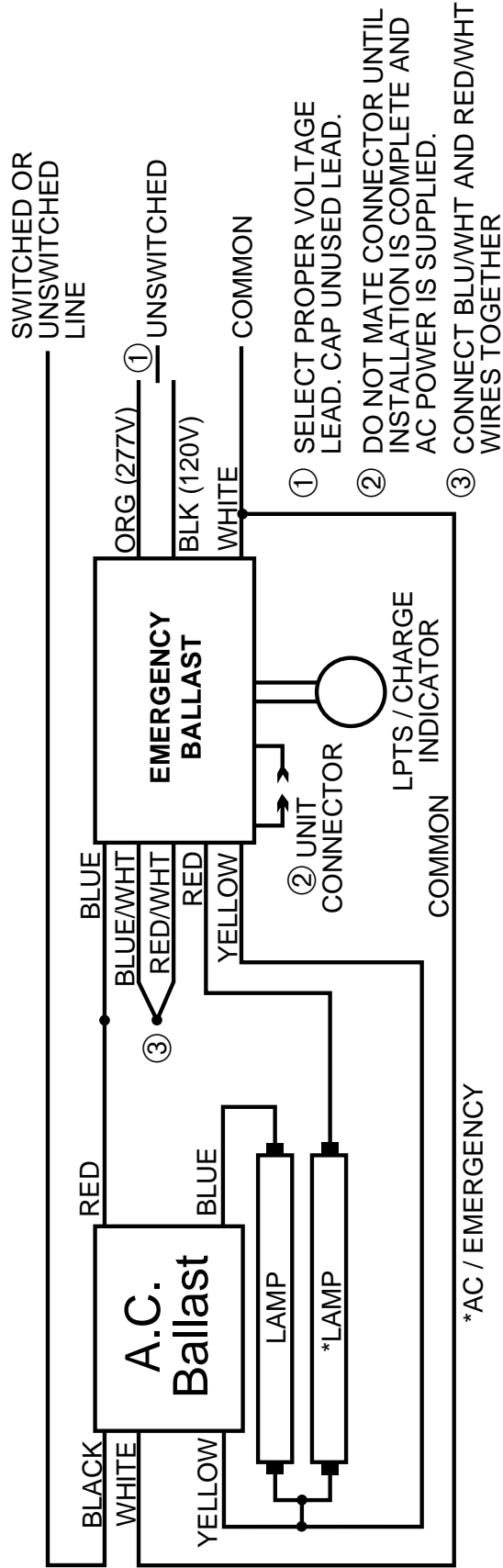
ALL COMPATIBLE BALLASTS MAY NOT BE LISTED.  
 \*DIMMING CONTROL WIRES ARE NOT AFFECTED BY EM PACK

# ONE LAMP PRE-HEAT START BALLAST



2ESLISB2

## ENERGY SAVINGS TWO LAMP INSTANT START BALLAST



### ENERGY SAVINGS

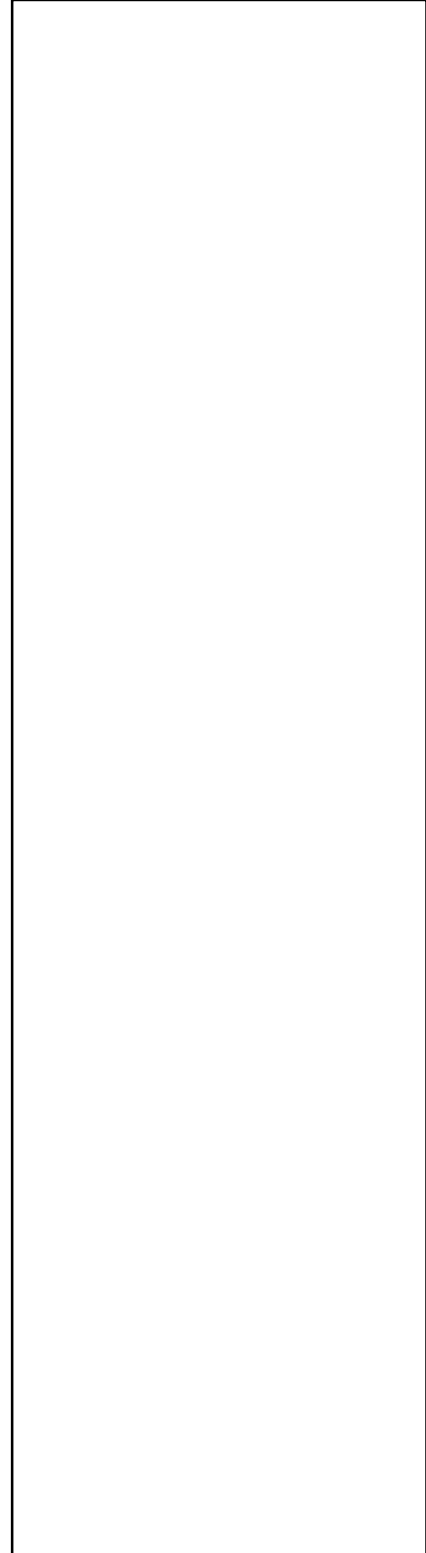
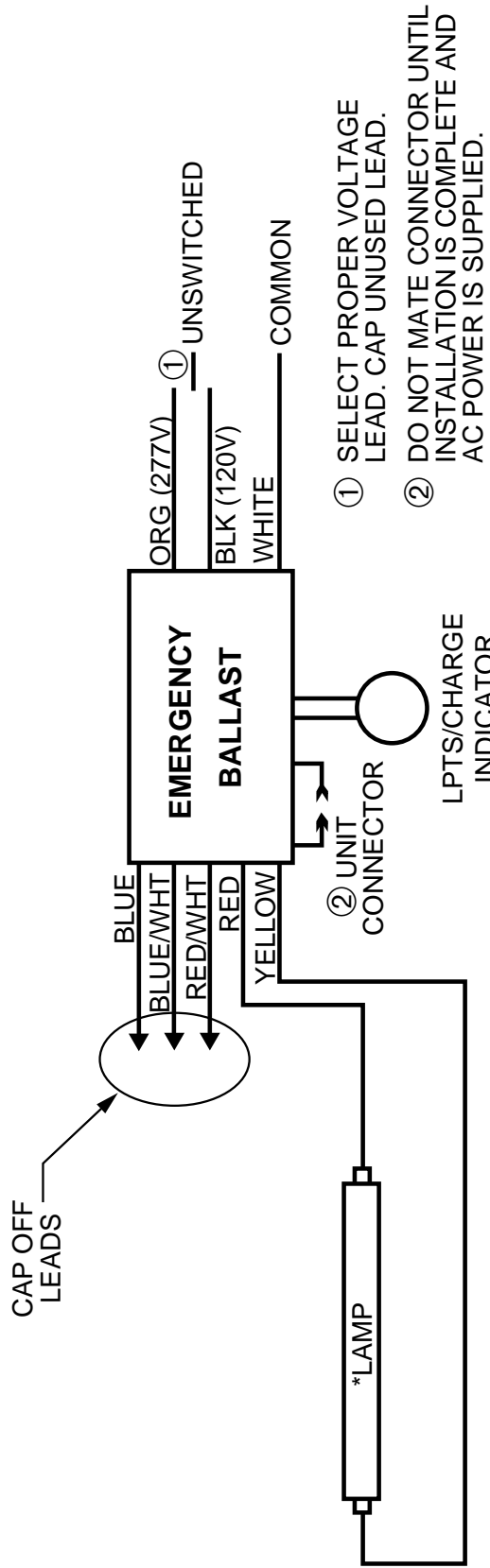
ES-2/I-1B-32/25/17/15-UNV-A-IS

ALL COMPATIBLE BALLASTS MAY NOT BE LISTED.  
 \*DIMMING CONTROL WIRES ARE NOT AFFECTED BY EM PACK



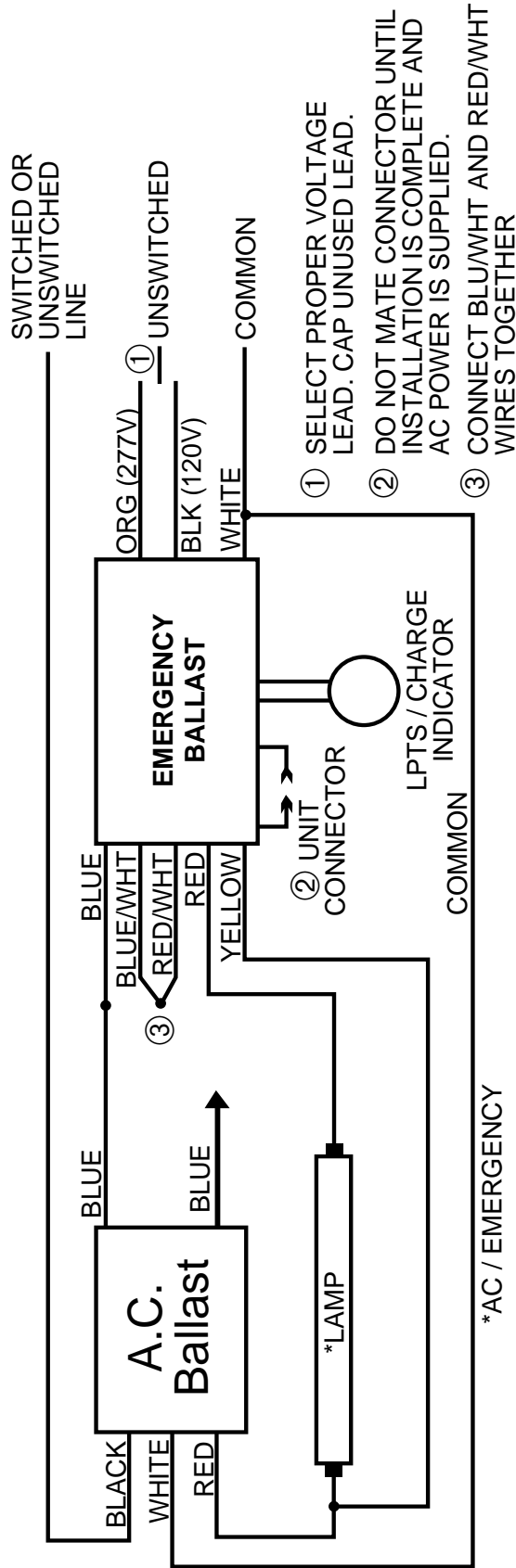
1LEO

# ONE LAMP EMERGENCY ONLY



1LTB

## ONE LAMP TRIAD BALLAST



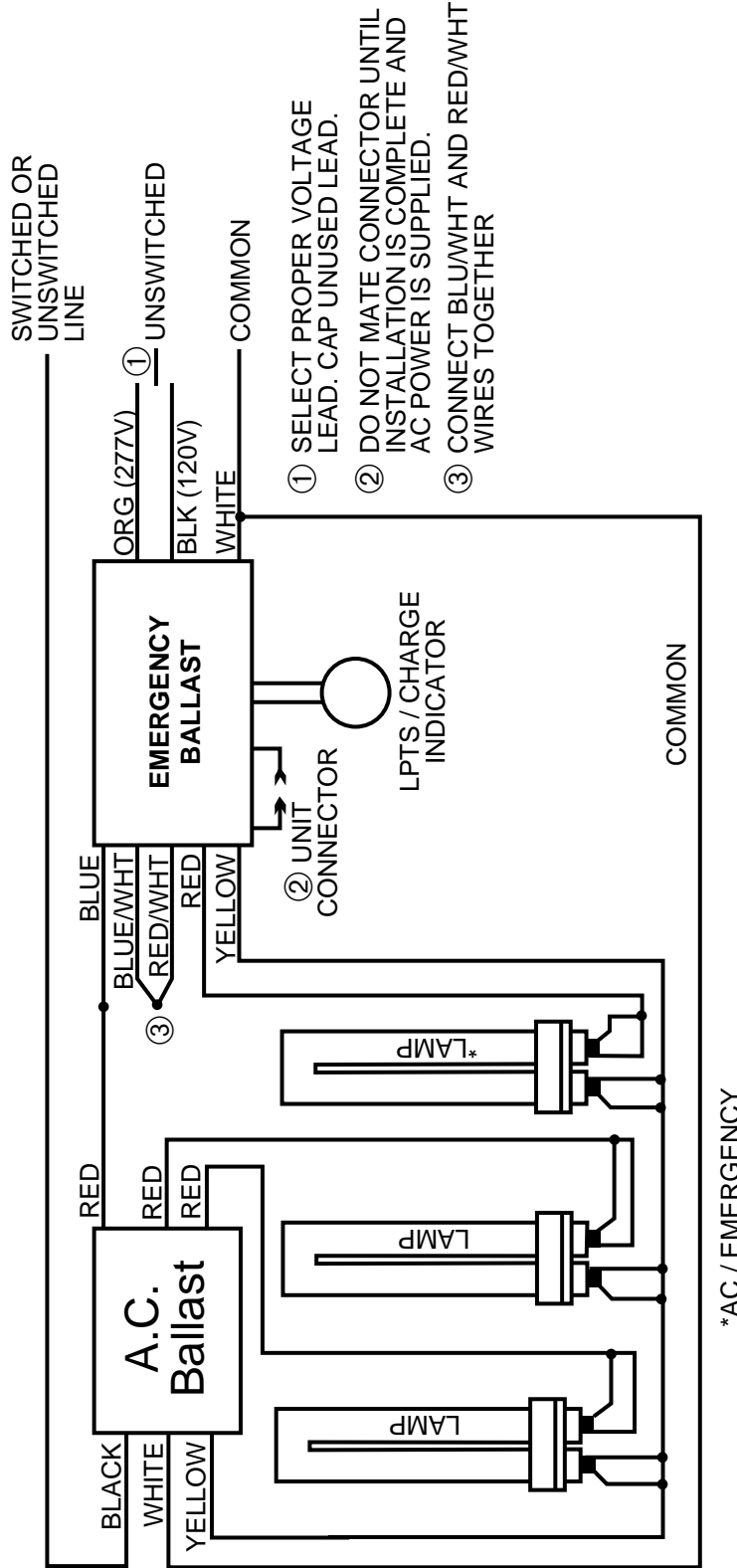
TRIAD

B240I 120/277

ALL COMPATIBLE BALLASTS MAY NOT BE LISTED.  
\*DIMMING CONTROL WIRES ARE NOT AFFECTED BY EM PACK

FWB

## FULHAM WORKHORSE BALLAST



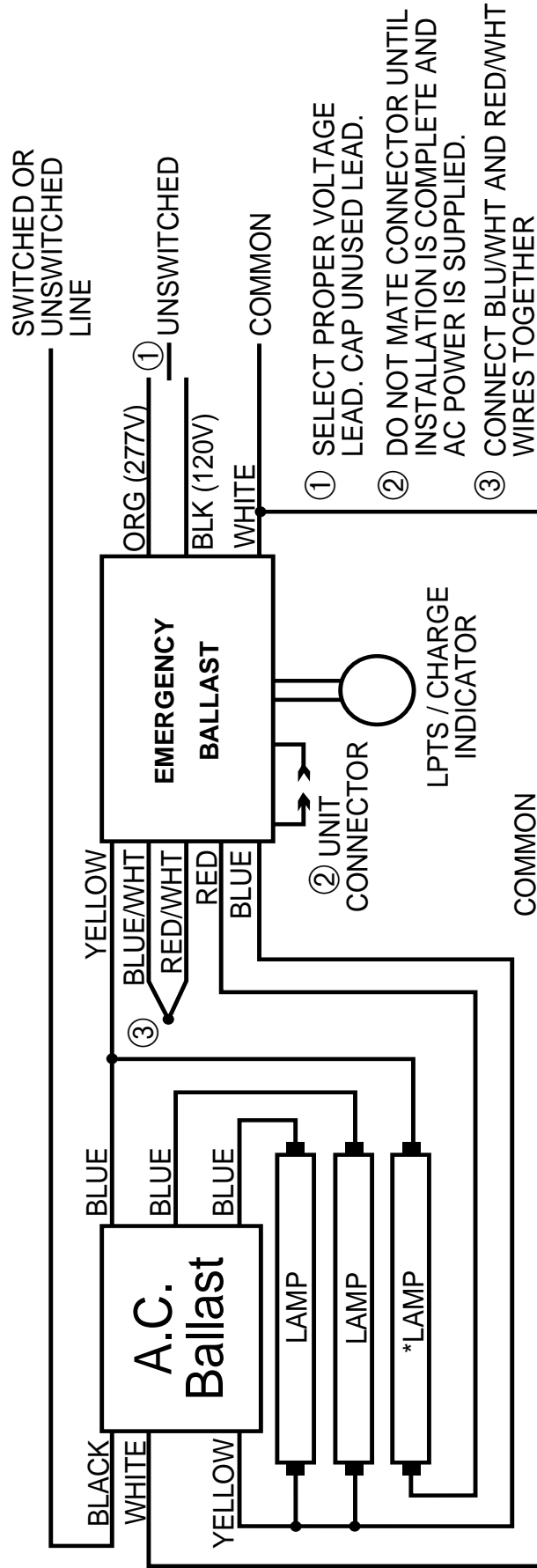
FULHAM	
WH4-120-L	
WH4-277-L	
WH5-120-L	
WH5-277-L	
WH6-120-L	
WH6-277-L	

\*AC / EMERGENCY

ALL COMPATIBLE BALLASTS MAY NOT BE LISTED.  
\*DIMMING CONTROL WIRES ARE NOT AFFECTED BY EM PACK

3LISB2

## THREE LAMP INSTANT START BALLAST



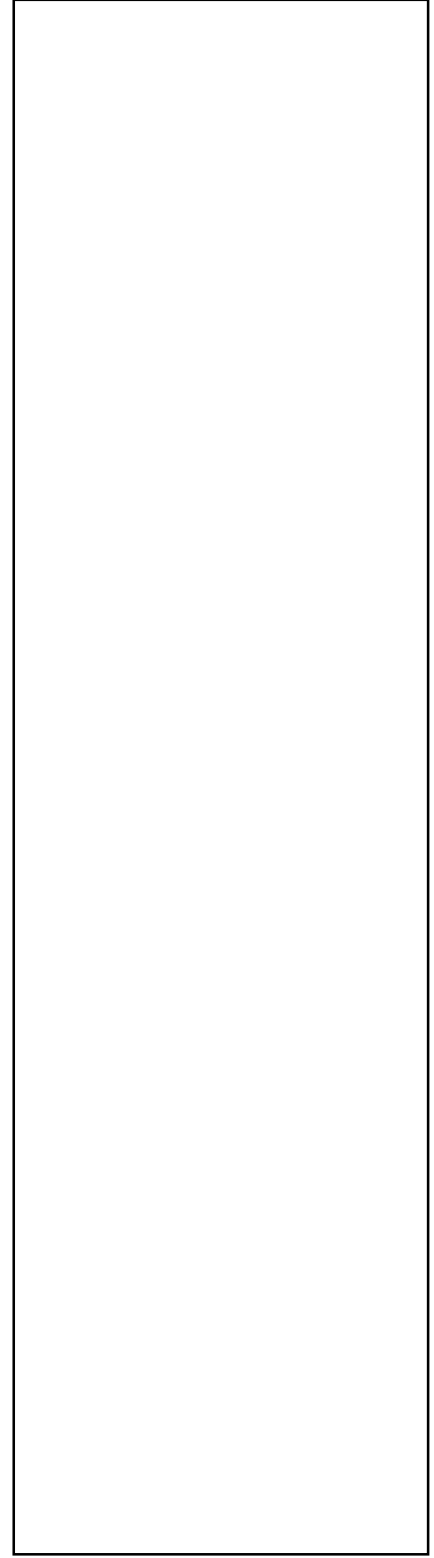
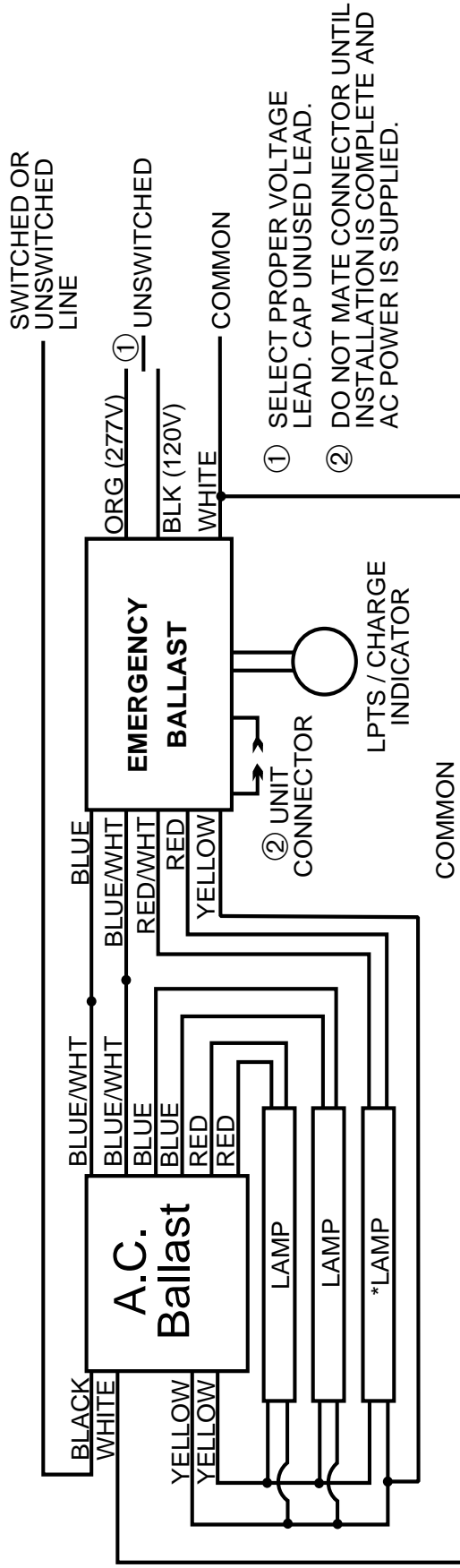
ADVANCE

VCN 3P32

ALL COMPATIBLE BALLASTS MAY NOT BE LISTED.  
 \*DIMMING CONTROL WIRES ARE NOT AFFECTED BY EM PACK

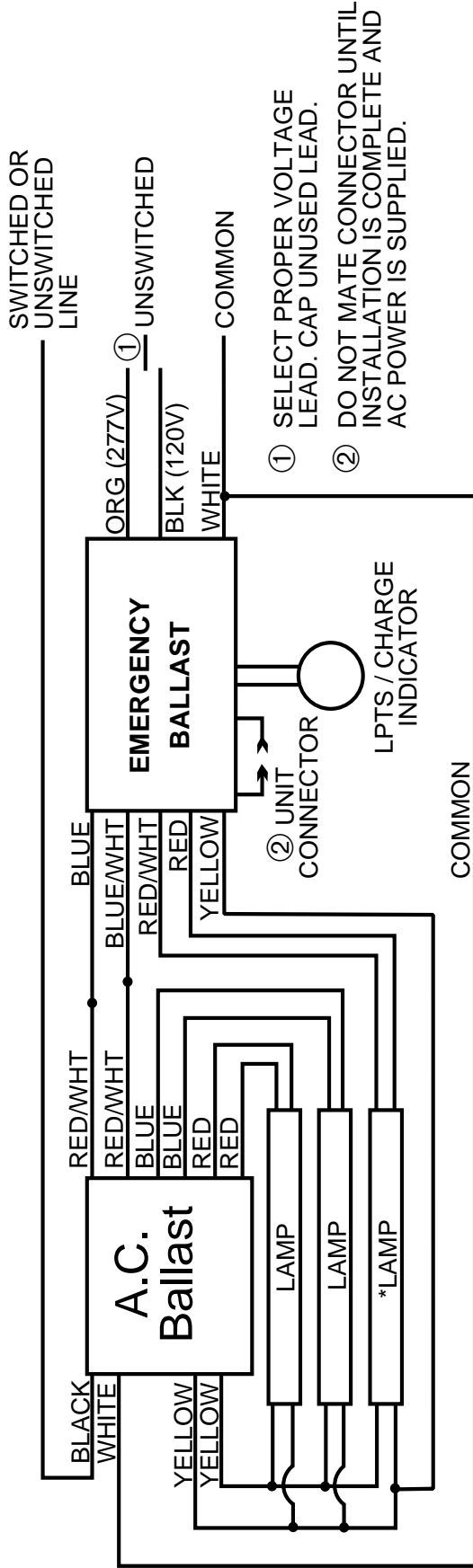
3LRSB2

# THREE LAMP RAPID START BALLAST



3LR5B3

# THREE LAMP RAPID START BALLAST



- ① SELECT PROPER VOLTAGE LEAD. CAP UNUSED LEAD.
- ② DO NOT MATE CONNECTOR UNTIL INSTALLATION IS COMPLETE AND AC POWER IS SUPPLIED.

\*AC / EMERGENCY

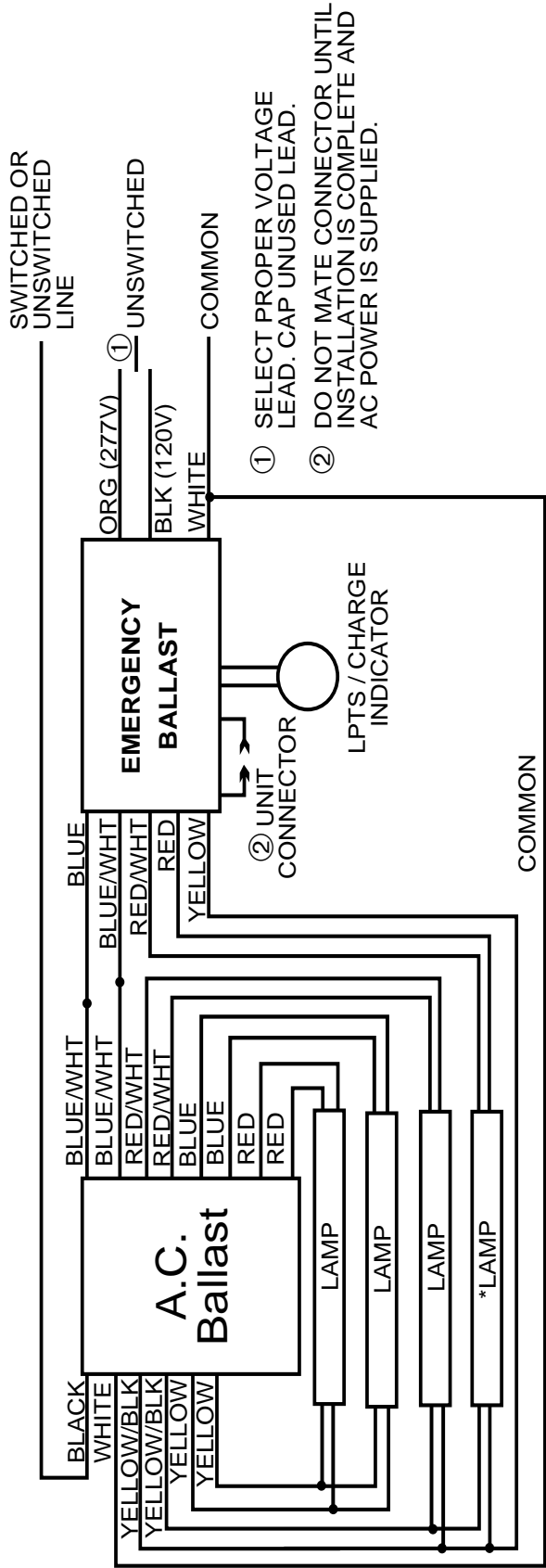
**MAGNETEK**

B332-R277HP  
B332-R120HP

ALL COMPATIBLE BALLASTS MAY NOT BE LISTED.  
\*DIMMING CONTROL WIRES ARE NOT AFFECTED BY EM PACK

4LRSB2

## FOUR LAMP RAPID START BALLAST



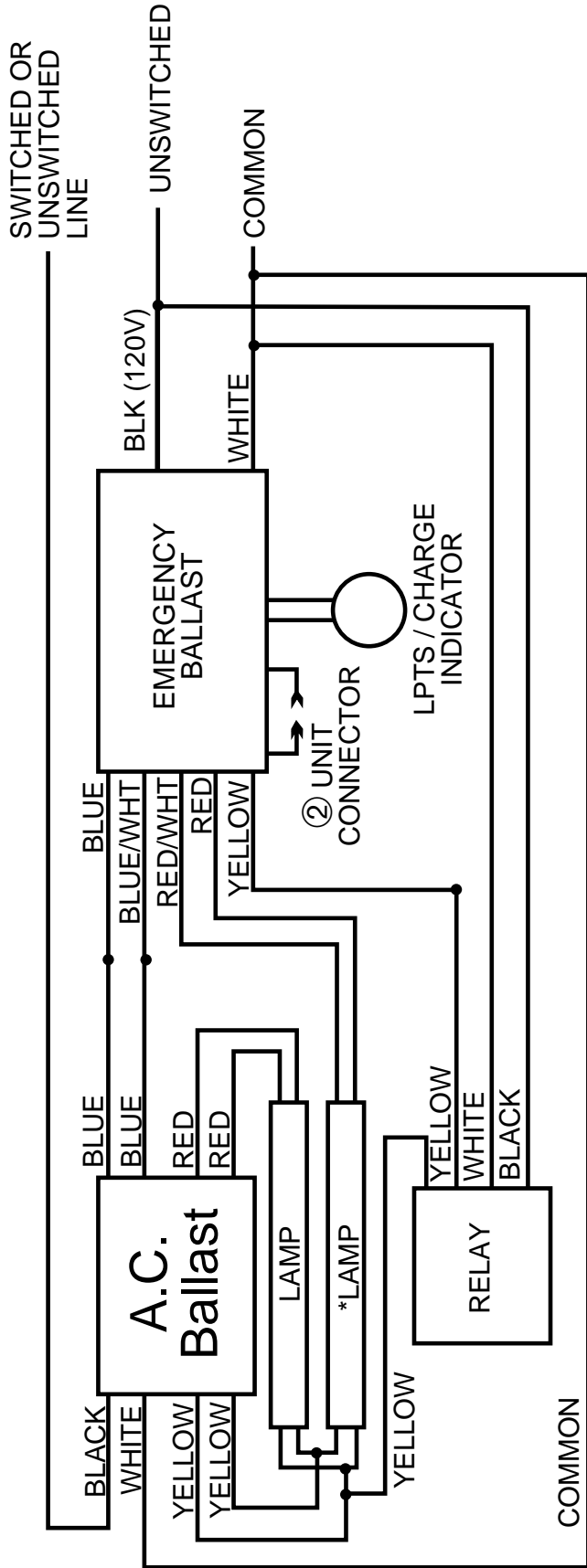
MAGNETEK

B432 R277 HP

ALL COMPATIBLE BALLASTS MAY NOT BE LISTED.  
 \*DIMMING CONTROL WIRES ARE NOT AFFECTED BY EM PACK

2LR5BWR

## TWO LAMP RAPID START BALLAST WITH RELAY



\*AC / EMERGENCY

### ADVANCE

RIC/MIC-2S32  
 REZ/VEZ-2S32  
 RZT/VZT-2S32\*

### LUTRON

ECO-T832-120/277-2\*  
 FDB-4827-120/277-2\*

### MAGNETEK

B232 R277 HP

### MOTOROLA

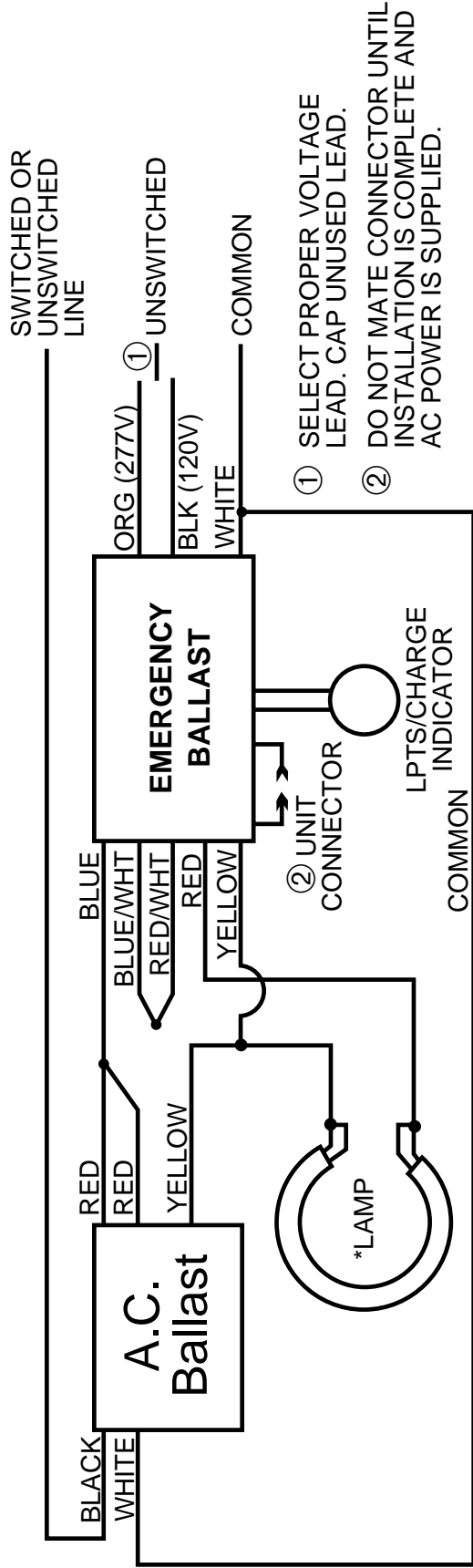
M2-RH-T8-1LL-B-120/277  
 M2-RL-T8-1LL-A-120/277  
 M2-RN-T12-1LL-B-120/277  
 M2-RN-T8-10C-B-120/277  
 M2-RN-T8-1LL-D-120/277

ALL COMPATIBLE BALLASTS MAY NOT BE LISTED.  
 \*DIMMING CONTROL WIRES ARE NOT AFFECTED BY EM PACK



1LCISB\_F

# ONE LAMP CIRCLINE INSTANT START BALLAST



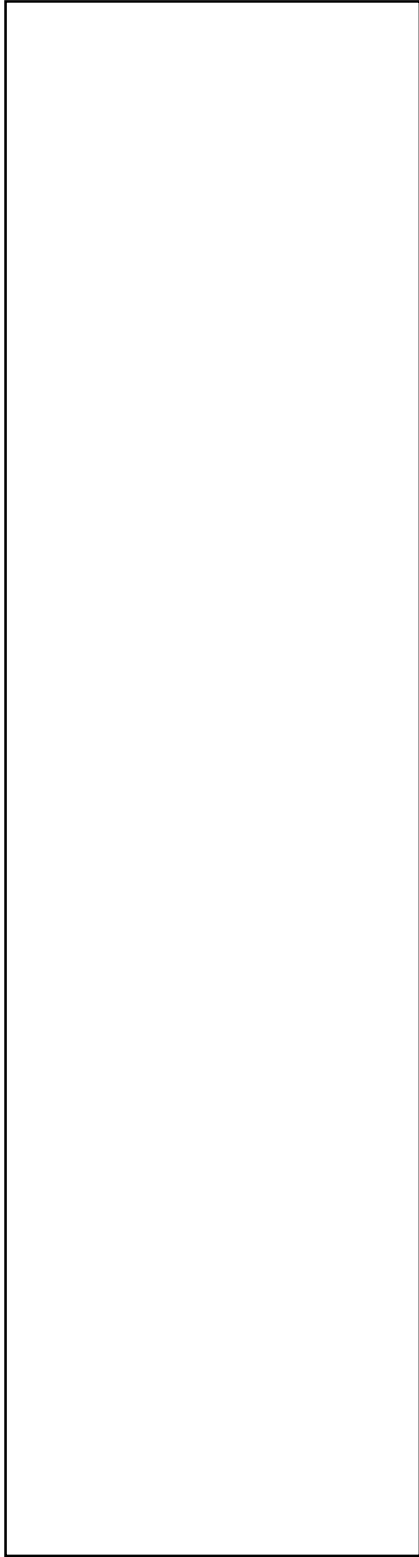
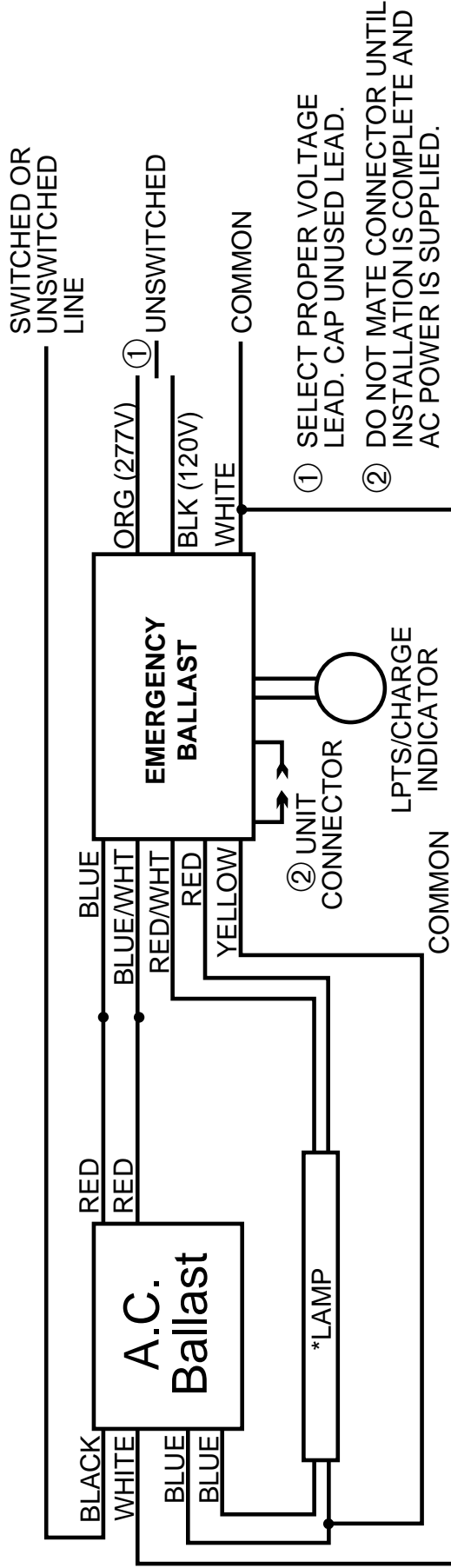
\*AC / EMERGENCY

FULLHAM

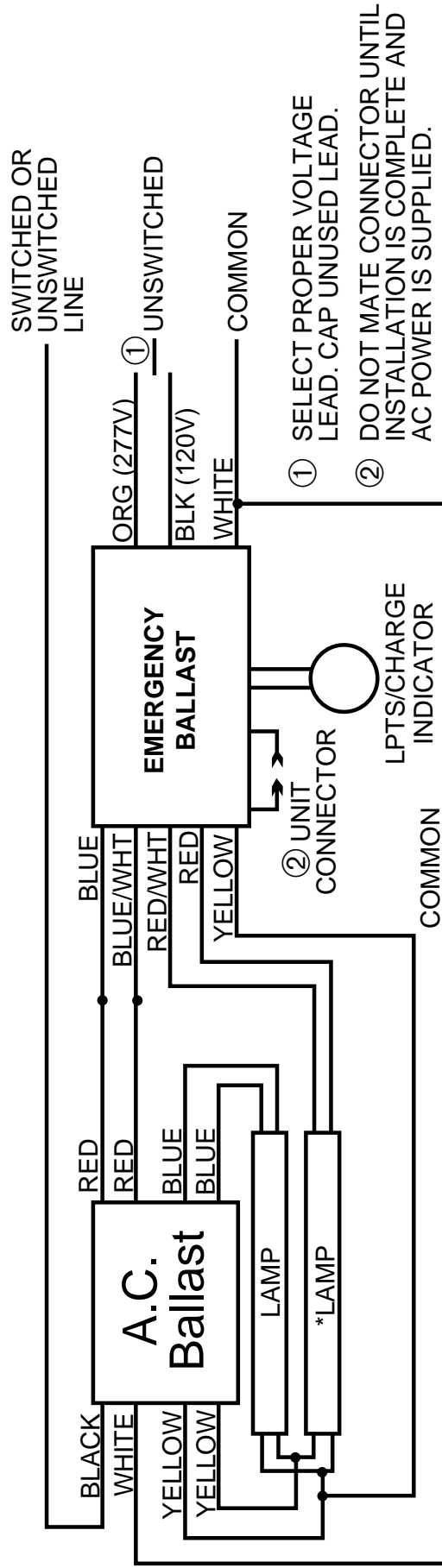
WH3

ALL COMPATIBLE BALLASTS MAY NOT BE LISTED.  
\*DIMMING CONTROL WIRES ARE NOT AFFECTED BY EM PACK

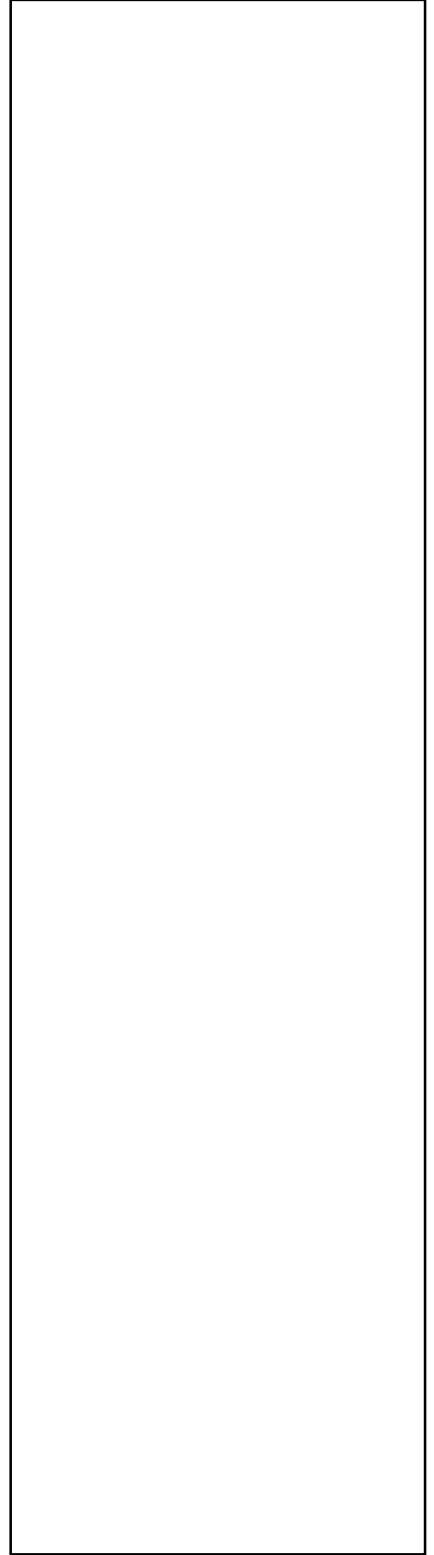
# ONE LAMP RAPID START BALLAST



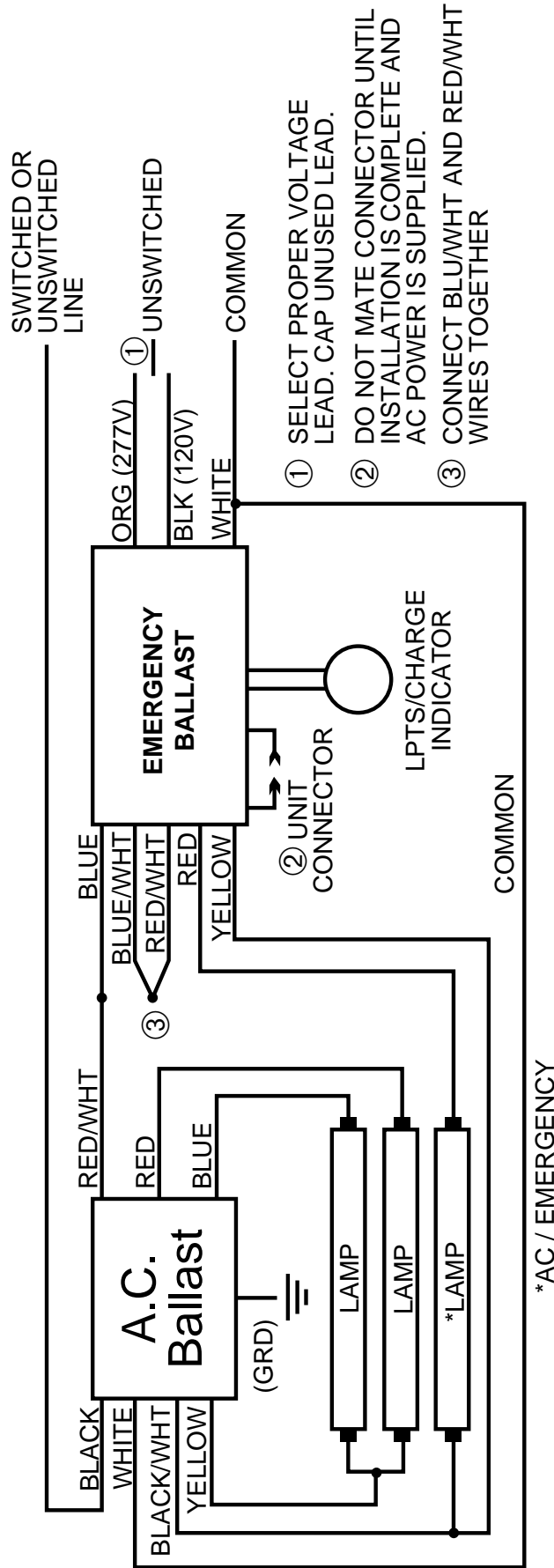
# TWO LAMP RAPID START BALLAST



\* AC / EMERGENCY



# THREE LAMP INSTANT START BALLAST

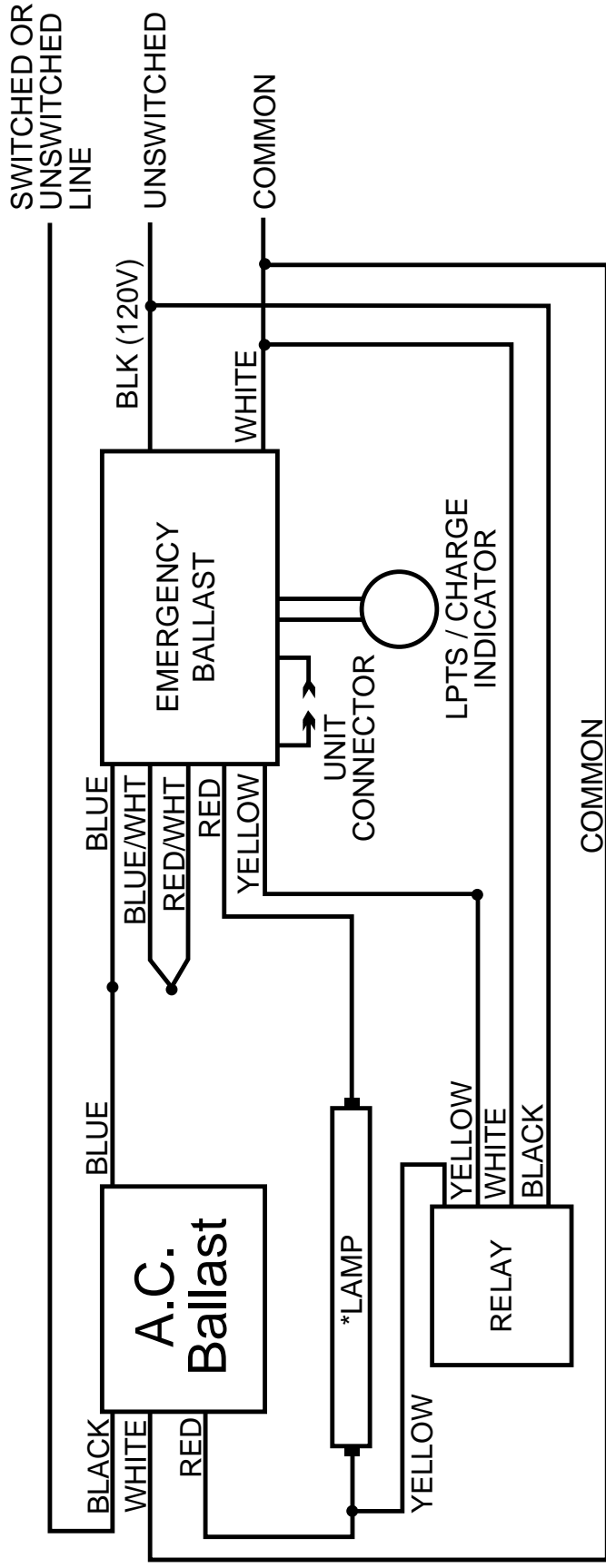


### ENERGY SAVINGS

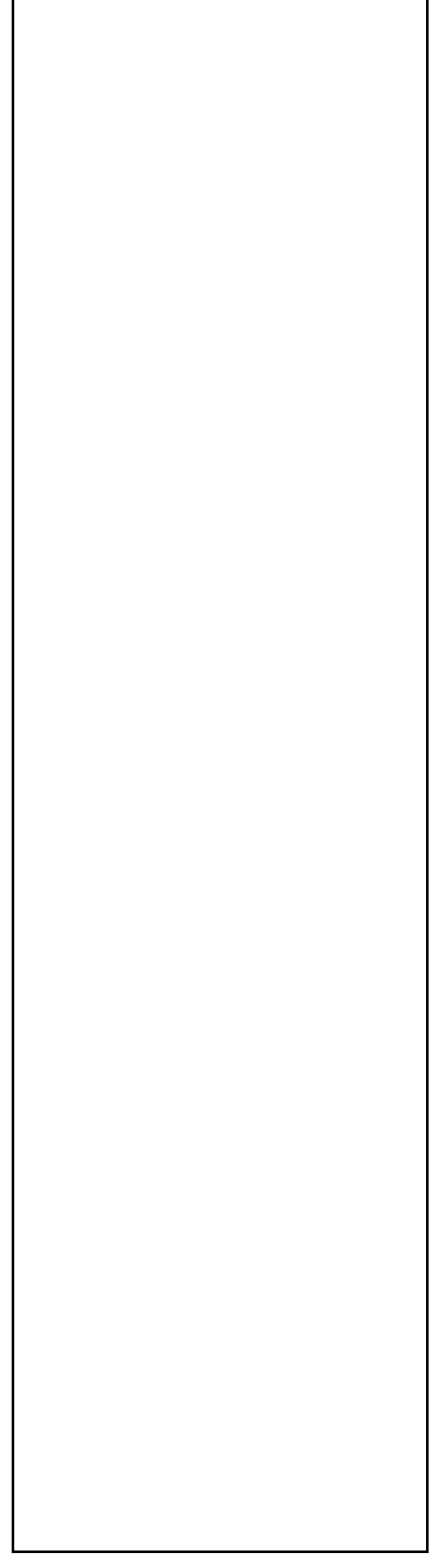
ES-4/3-T8-32/25/17-UNV-B-IS

ALL COMPATIBLE BALLASTS MAY NOT BE LISTED.  
\*DIMMING CONTROL WIRES ARE NOT AFFECTED BY EM PACK

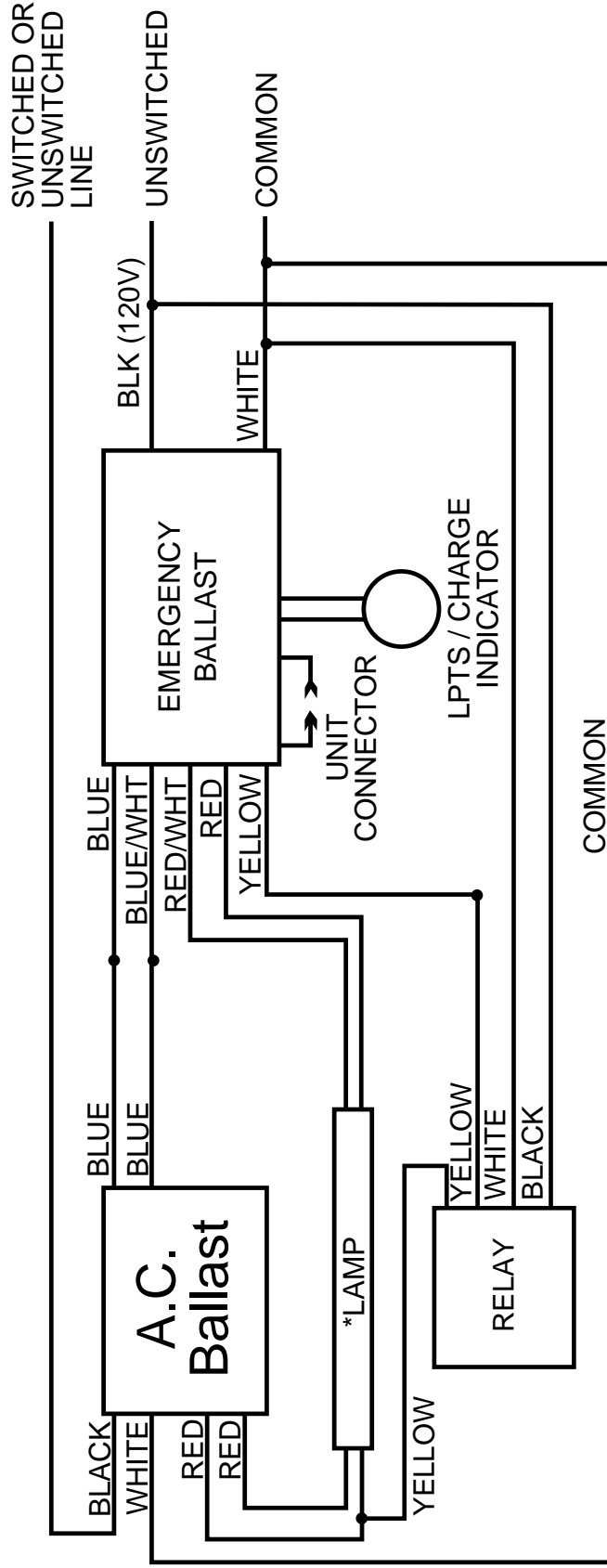
# ONE LAMP INSTANT START BALLAST WITH RELAY



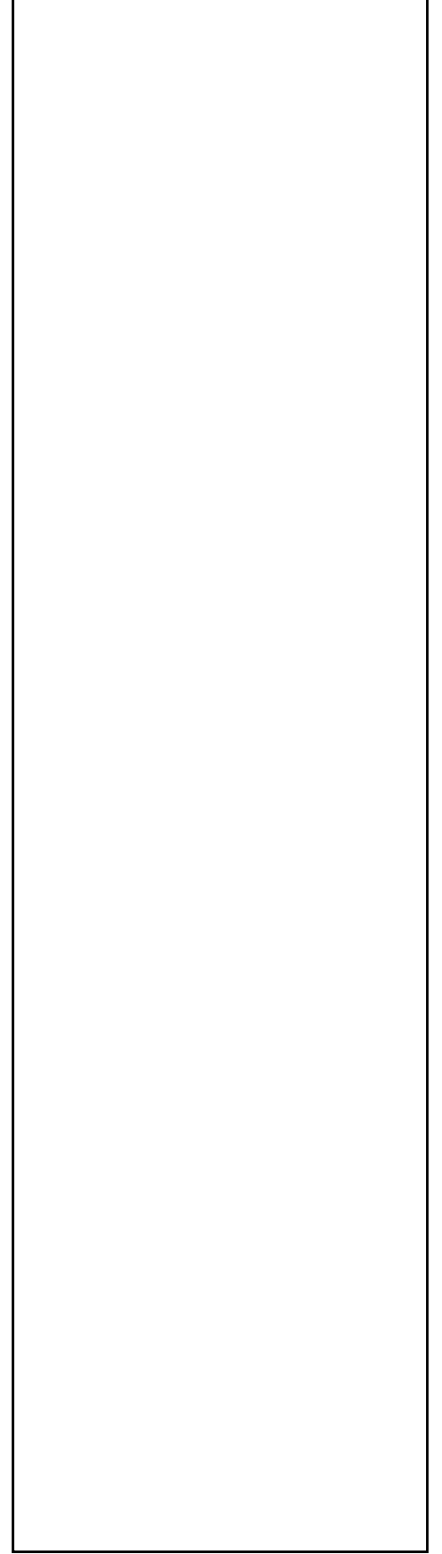
\* AC / EMERGENCY



# ONE LAMP RAPID START BALLAST WITH RELAY

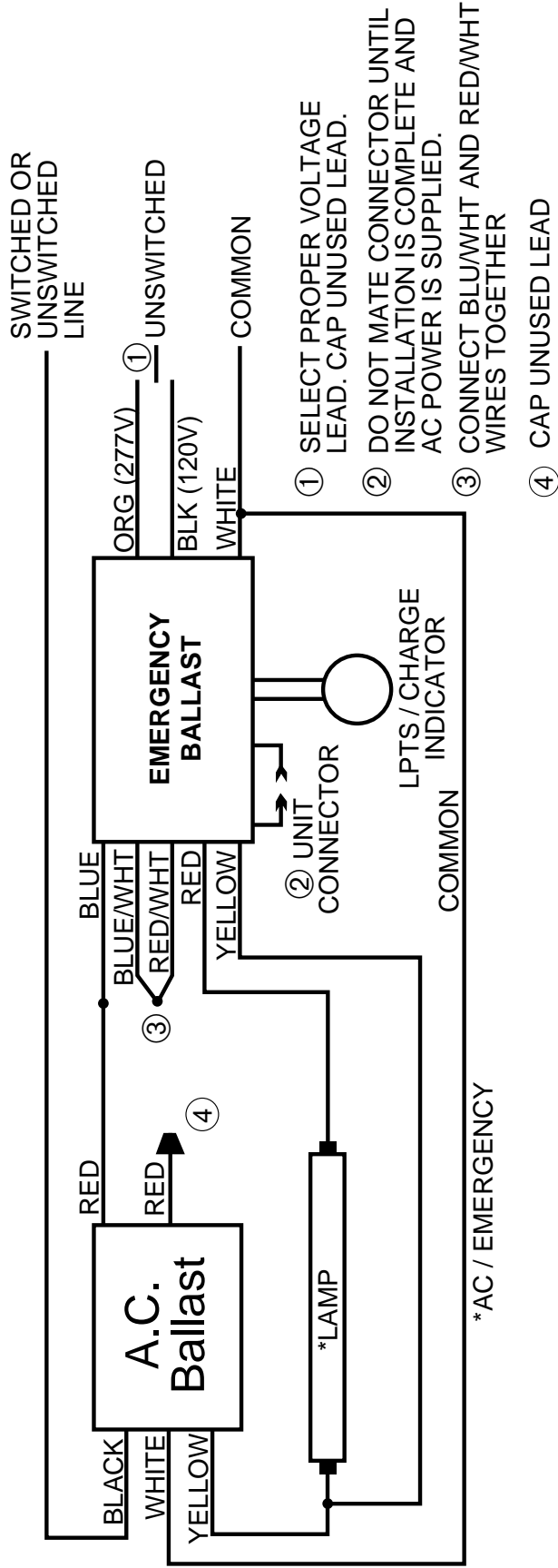


\*AC / EMERGENCY



1LISB\_F

# ONE LAMP INSTANT START FULLHAM BALLAST



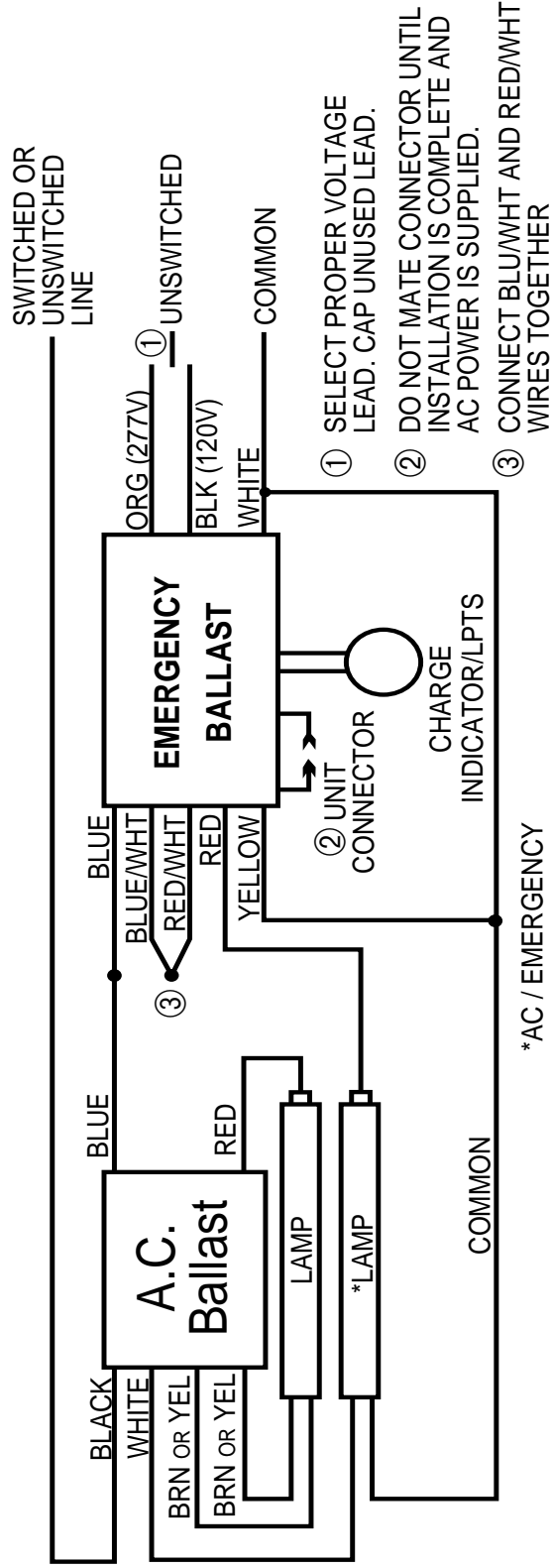
FULLHAM

WORKHORSE IV

ALL COMPATIBLE BALLASTS MAY NOT BE LISTED.  
\*DIMMING CONTROL WIRES ARE NOT AFFECTED BY EM PACK

2LSL

# TWO LAMP SERIES LEAD BALLAST



**ADVANCE**

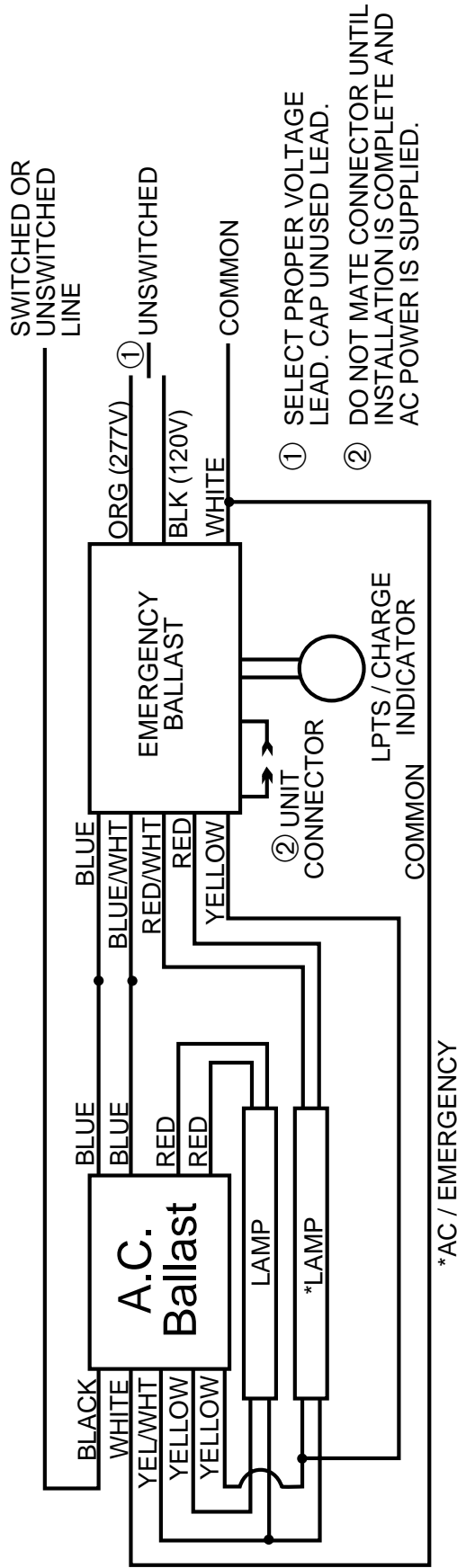
VSM-2E75S5-TP

ALL COMPATIBLE BALLASTS MAY NOT BE LISTED.  
 \*DIMMING CONTROL WIRES ARE NOT AFFECTED BY EM PACK



2LRSB3

# TWO LAMP RAPID START BALLAST



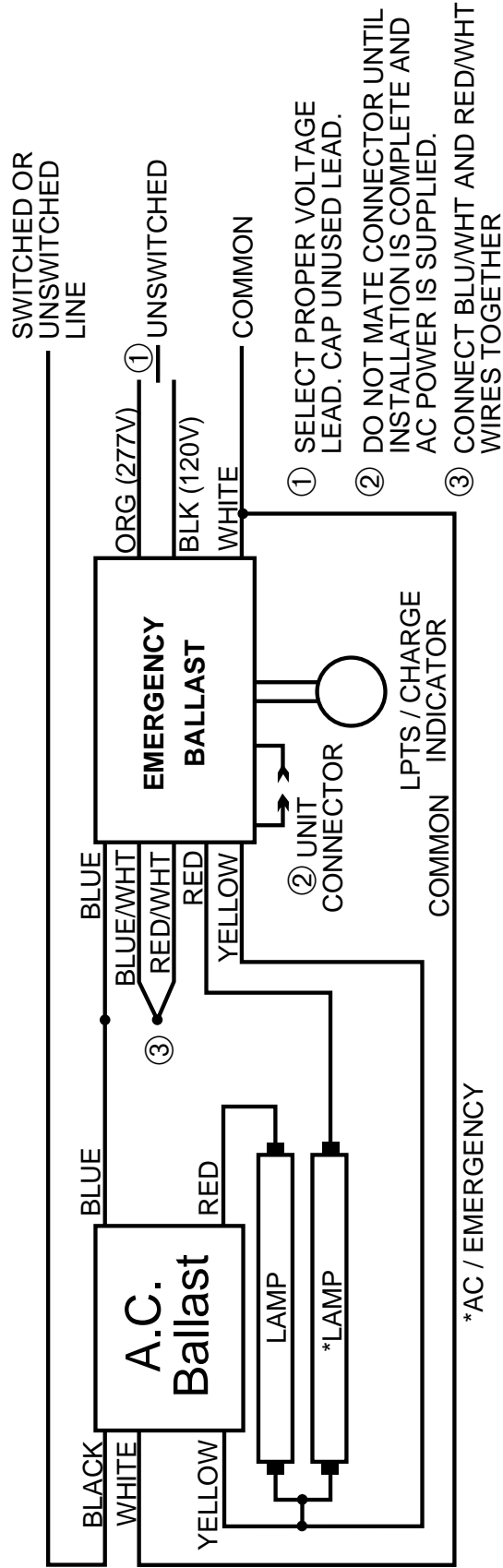
SYLVANIA

QT2X54PH0/277PH0-DIM

ALL COMPATIBLE BALLASTS MAY NOT BE LISTED.  
\*DIMMING CONTROL WIRES ARE NOT AFFECTED BY EM PACK

2 LISBESI

## TWO LAMP INSTANT START BALLAST

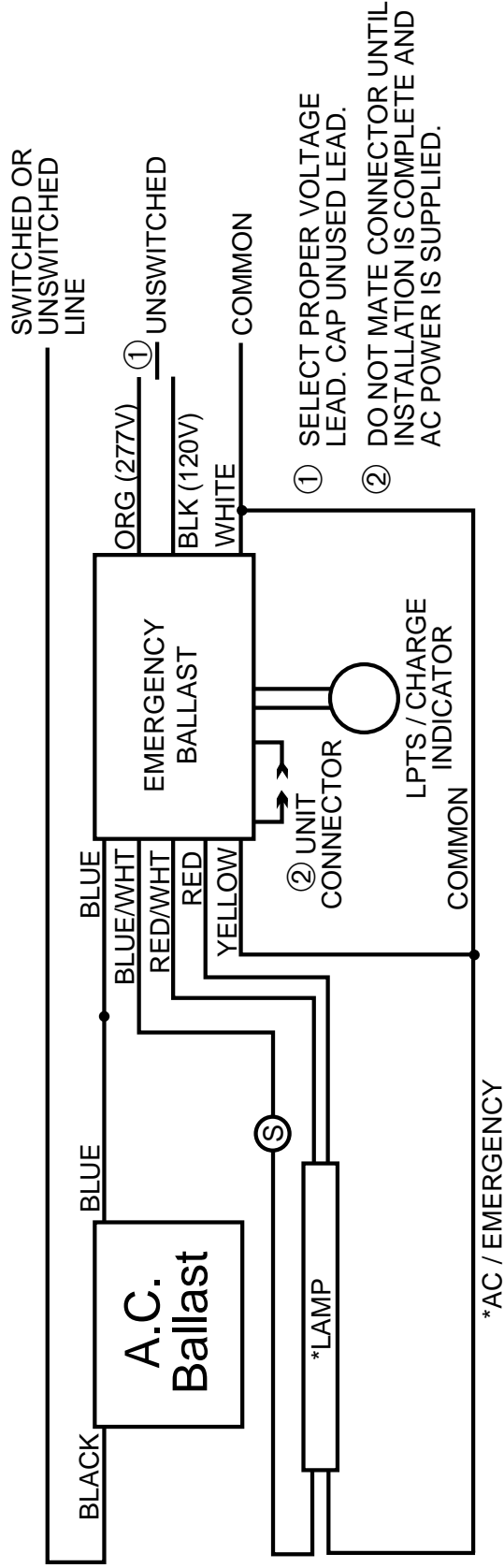


### ENERGY SAVINGS

ES-2/1-T8-32/25/17/15-UNV-A-IS

ALL COMPATIBLE BALLASTS MAY NOT BE LISTED.  
\*DIMMING CONTROL WIRES ARE NOT AFFECTED BY EM PACK

## ONE LAMP PRE-HEAT START BALLAST

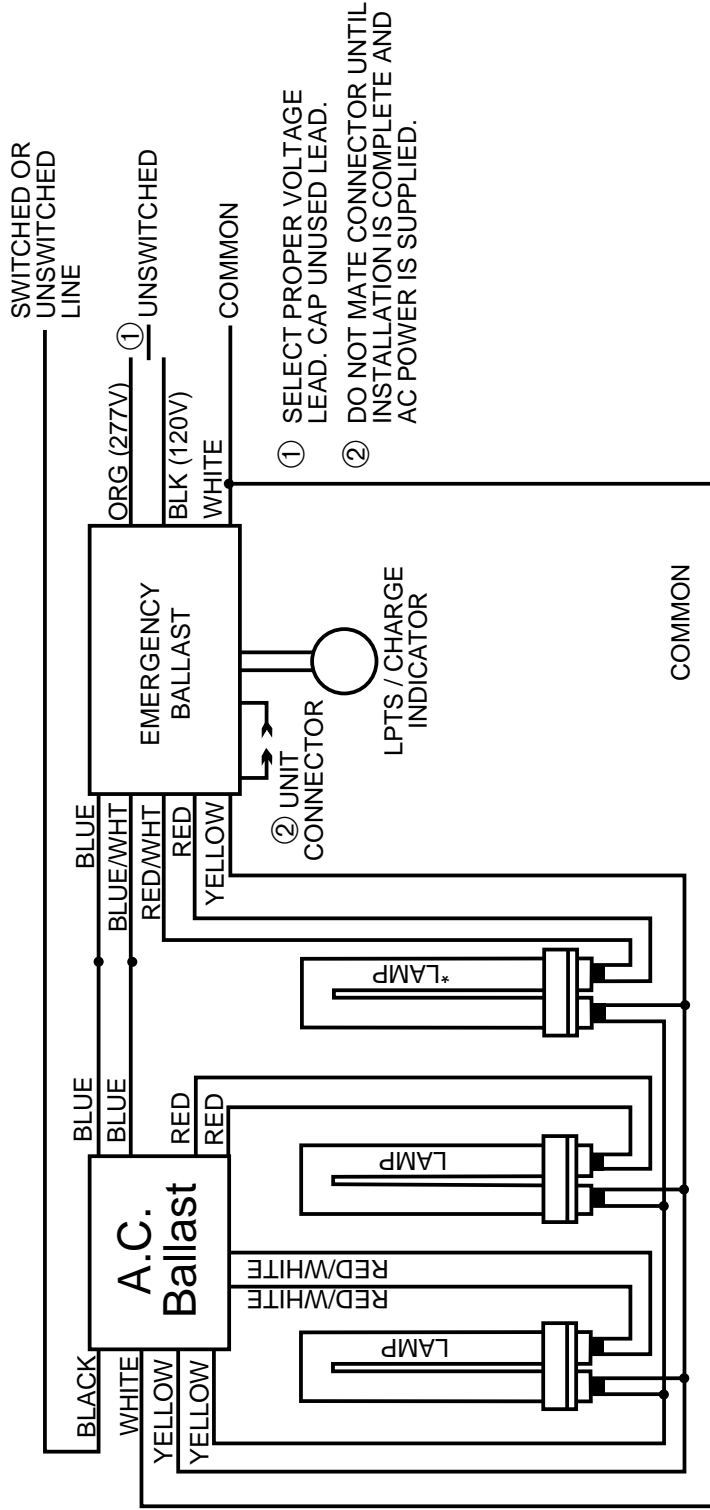


ADVANCE

LC-14-20-C

3BXLRSB

## THREE BIAx RAPID START BALLAST



\*AC / EMERGENCY

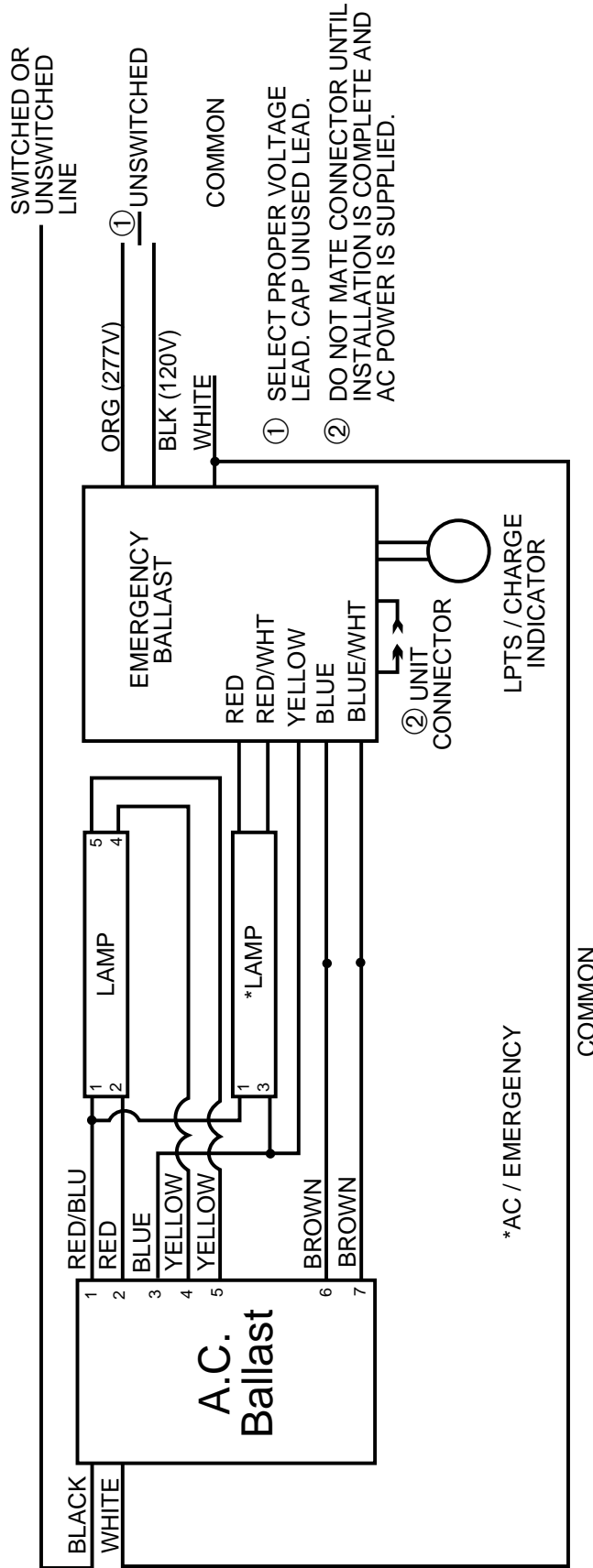
### MAGNETEK

B340-R120 HP  
B340-R277 HP

ALL COMPATIBLE BALLASTS MAY NOT BE LISTED.  
\*DIMMING CONTROL WIRES ARE NOT AFFECTED BY  
EM PACK

2LR5B\_ACE

## TWO LAMP RAPID START BALLAST



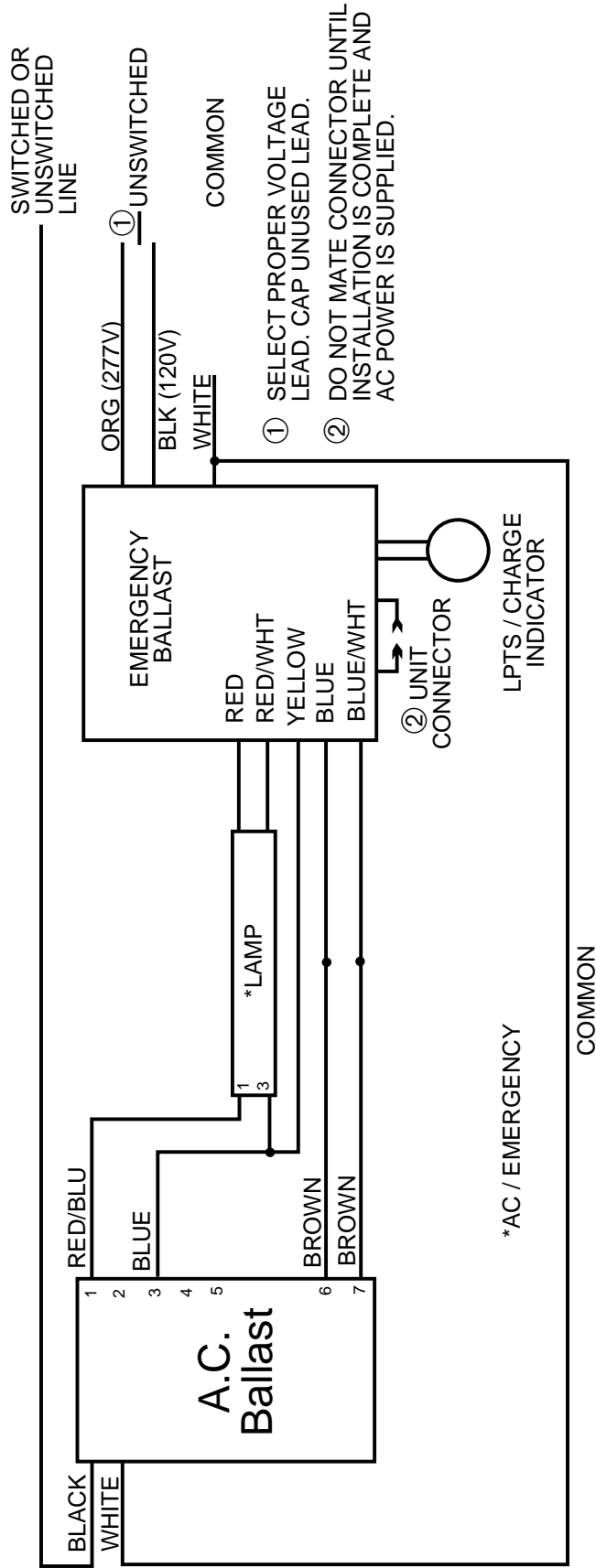
ANTRON / ACE

EPD-A54T5

ALL COMPATIBLE BALLASTS MAY NOT BE LISTED.  
\*DIMMING CONTROL WIRES ARE NOT AFFECTED BY EM PACK

1LR5B\_ACE

## ONE LAMP RAPID START BALLAST



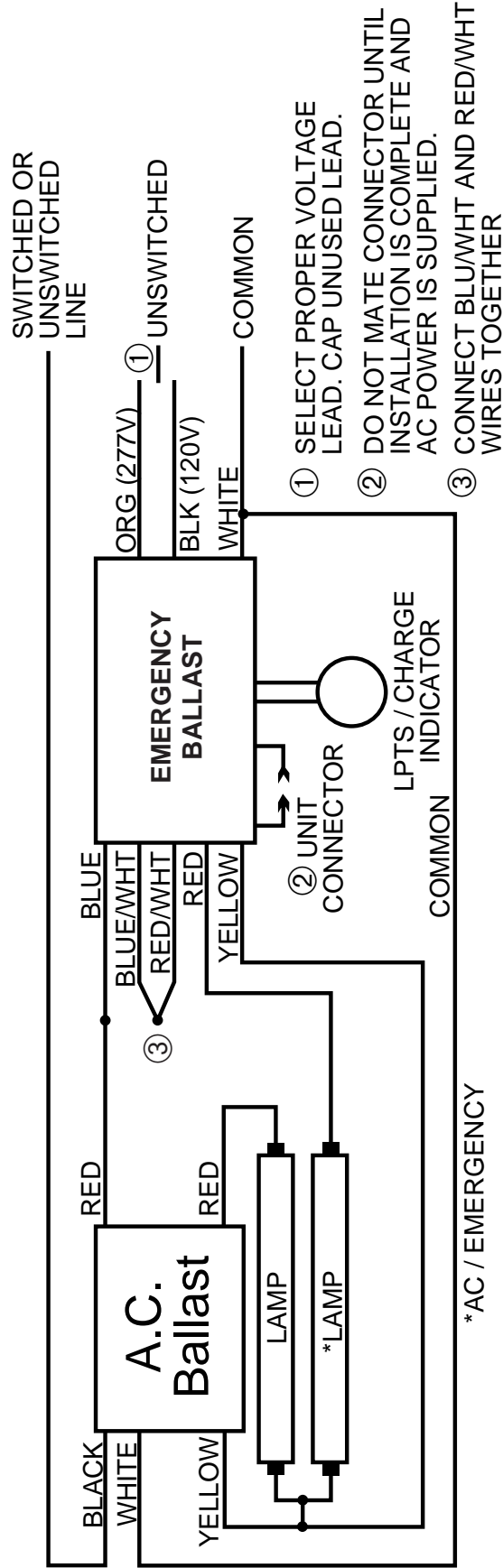
ANTRON / ACE

EPD-A54T5

ALL COMPATIBLE BALLASTS MAY NOT BE LISTED.  
\*DIMMING CONTROL WIRES ARE NOT AFFECTED BY EM PACK

2LISB2\_F

## TWO LAMP INSTANT START BALLAST



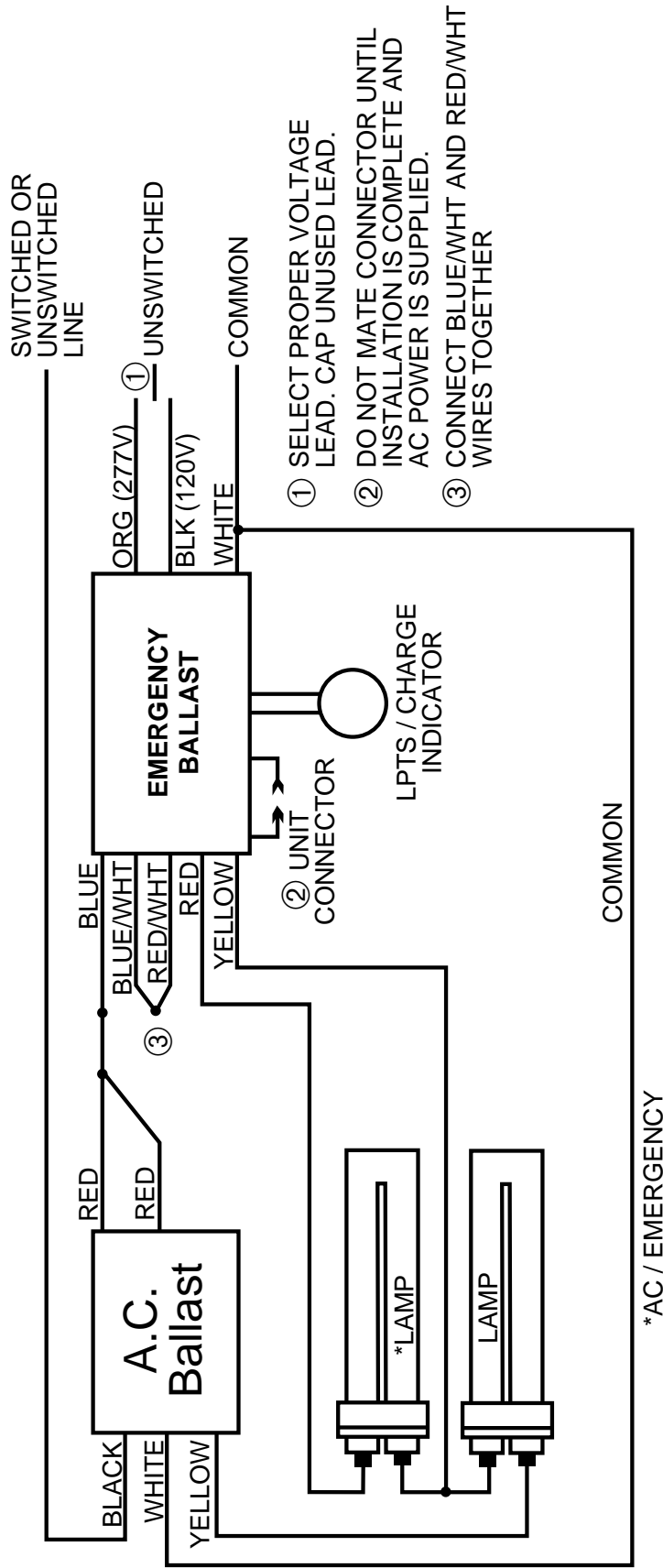
### FULLHAM

WORKHORSE 3  
WORKHORSE 4

ALL COMPATIBLE BALLASTS MAY NOT BE LISTED.  
\*DIMMING CONTROL WIRES ARE NOT AFFECTED BY EM PACK

2LISBX\_FB

## TWO BIAx LAMP INSTANT START FULLHAM BALLAST



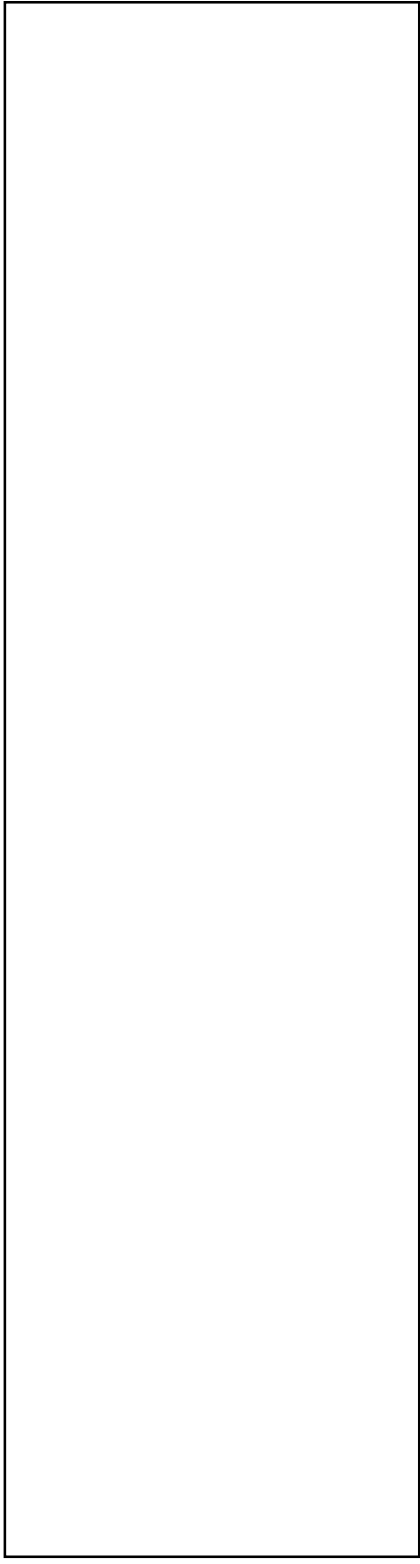
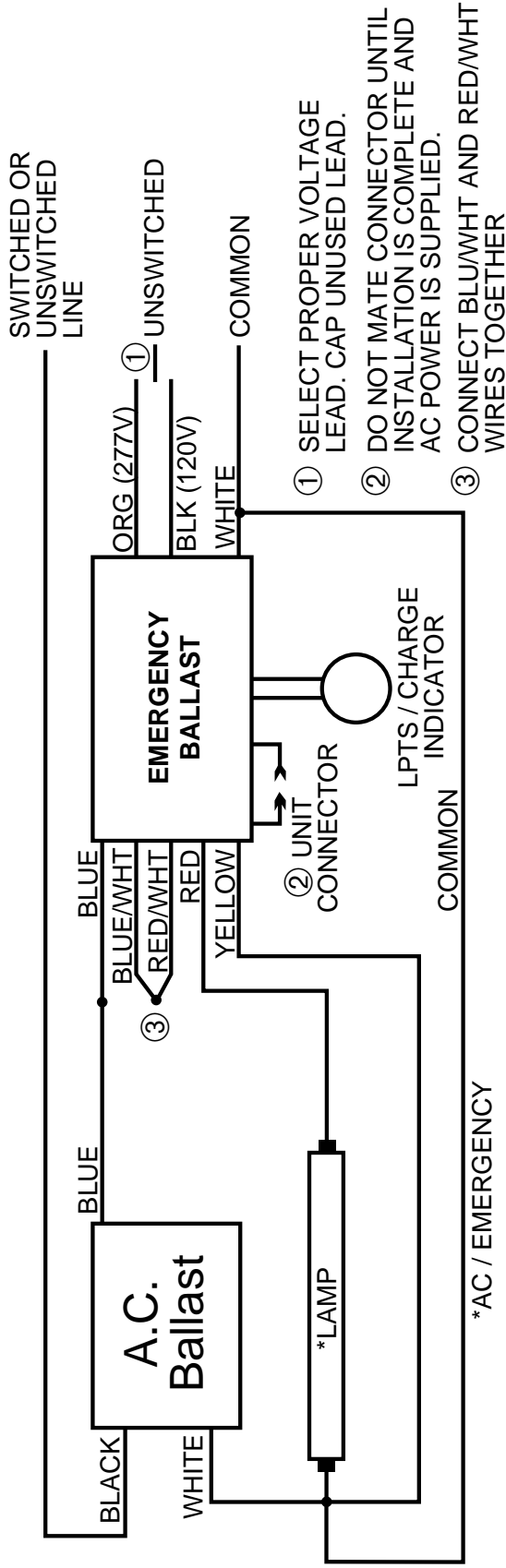
FULLHAM  
WORKHORSE IV

ALL COMPATIBLE BALLASTS MAY NOT BE LISTED.  
\*DIMMING CONTROL WIRES ARE NOT AFFECTED BY EM PACK

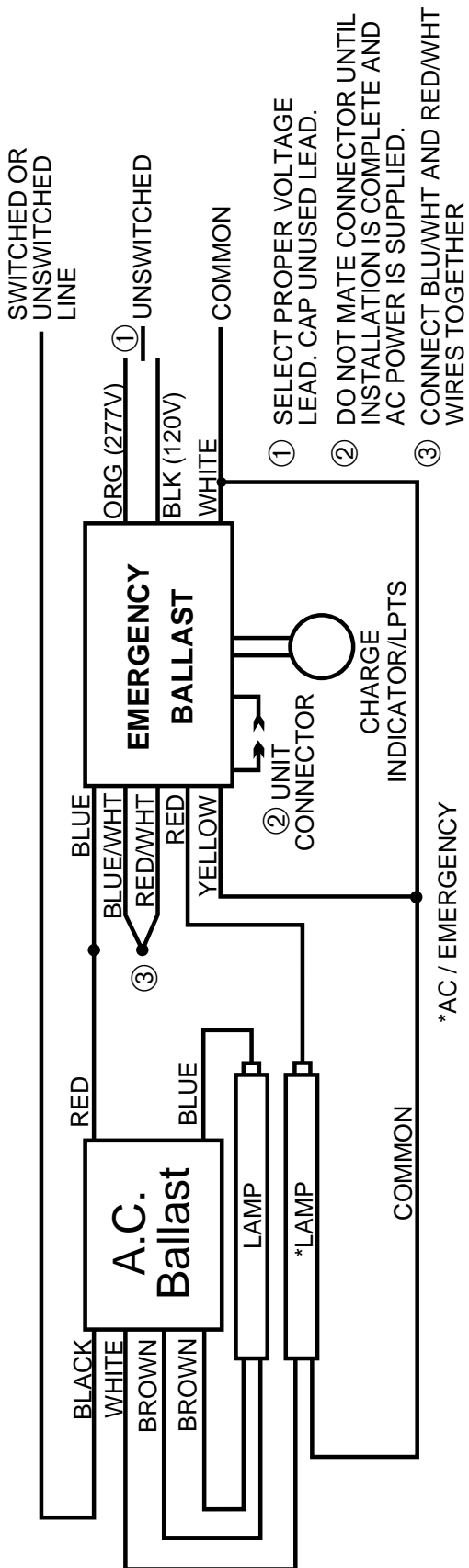


1LISB\_2

# ONE LAMP INSTANT START BALLAST



# TWO LAMP SERIES LEAD BALLAST

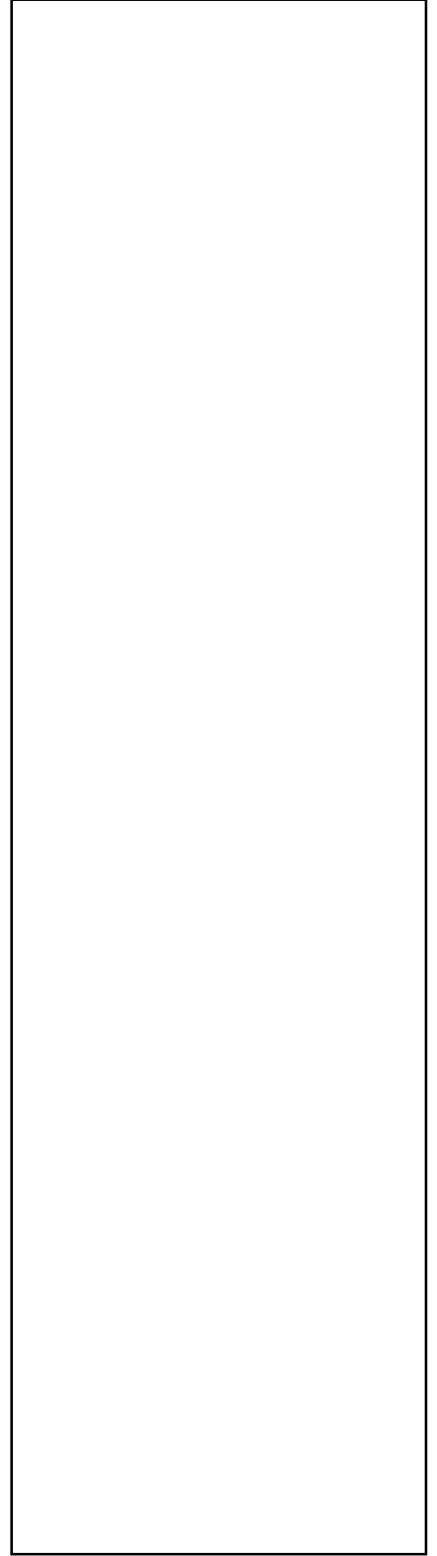
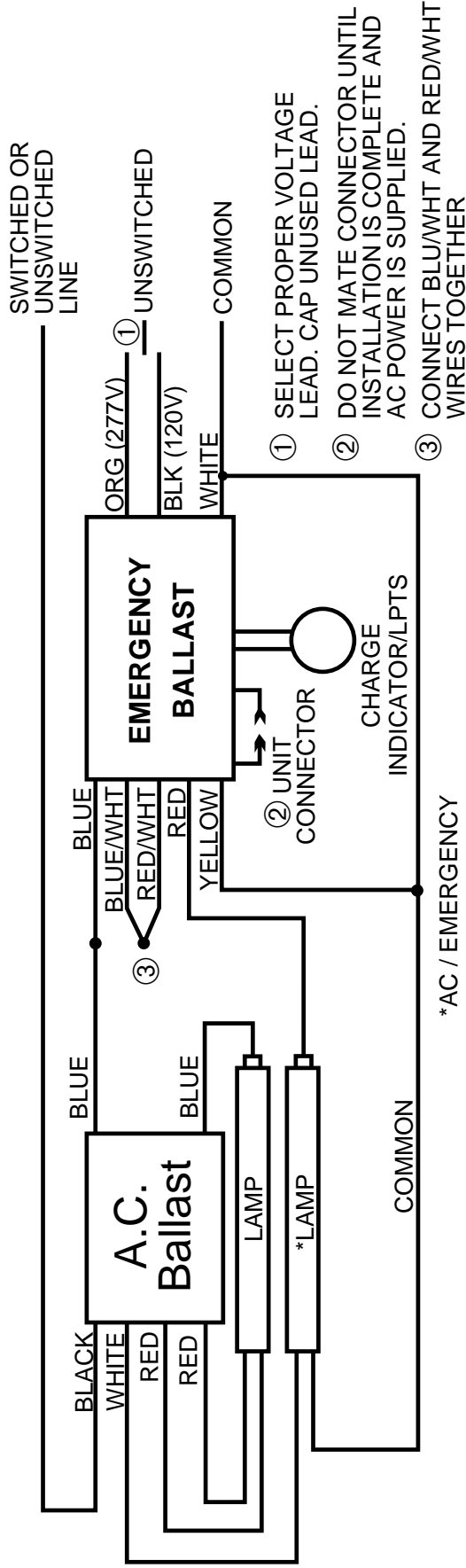


MAGNETEK

827-SLH-TC-P

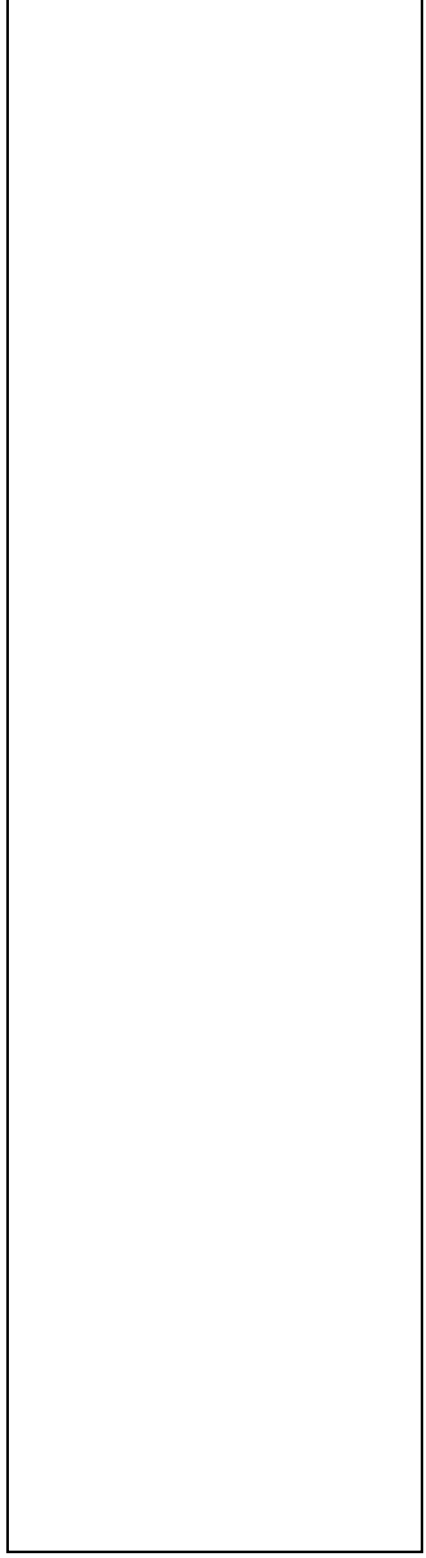
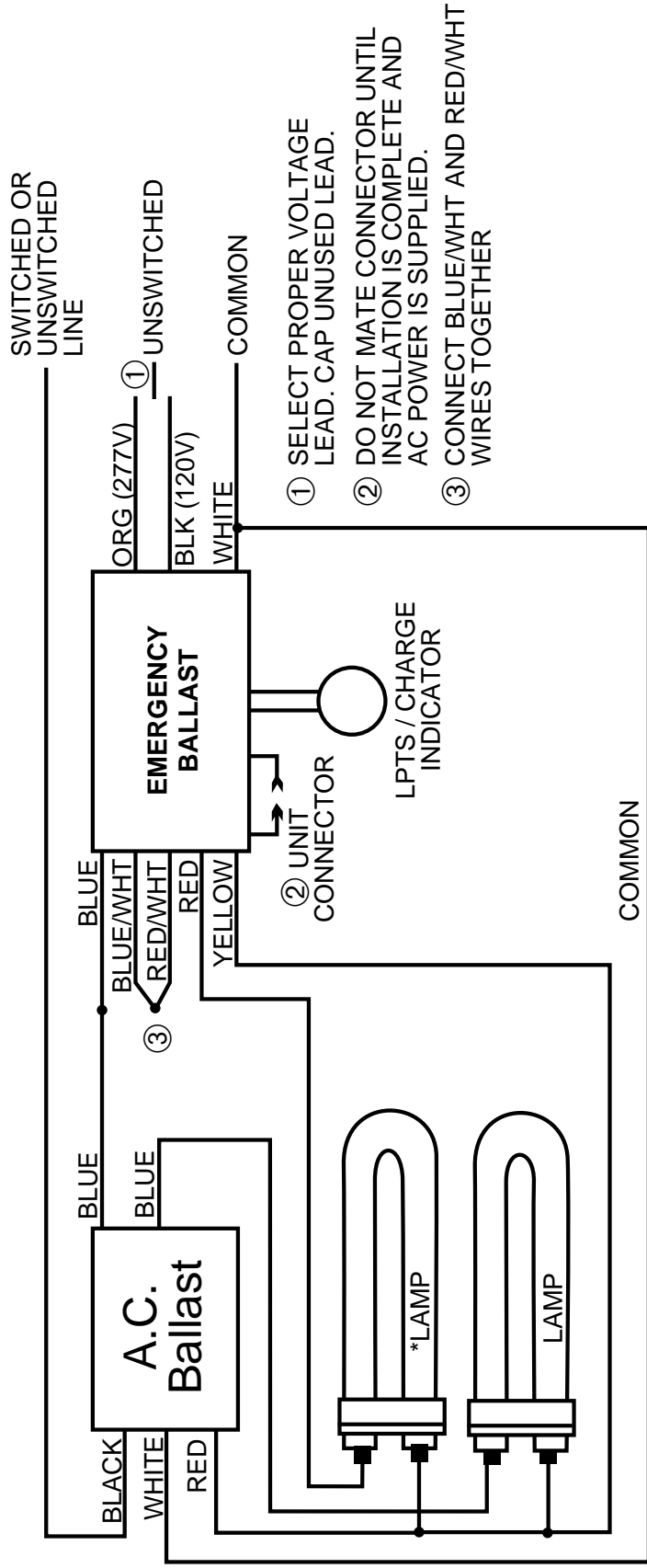
ALL COMPATIBLE BALLASTS MAY NOT BE LISTED.  
\*DIMMING CONTROL WIRES ARE NOT AFFECTED BY EM PACK

# TWO LAMP SERIES LEAD BALLAST

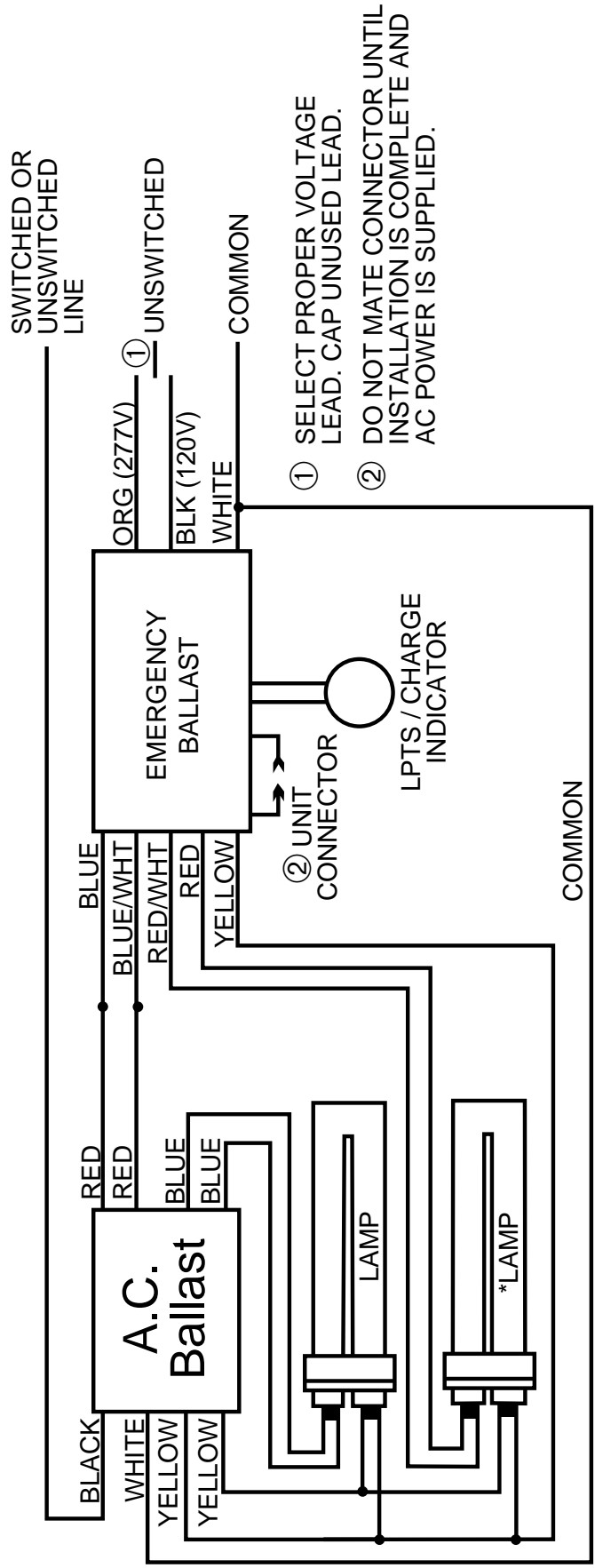


2LISU

# TWO U-BENT LAMP INSTANT START BALLAST

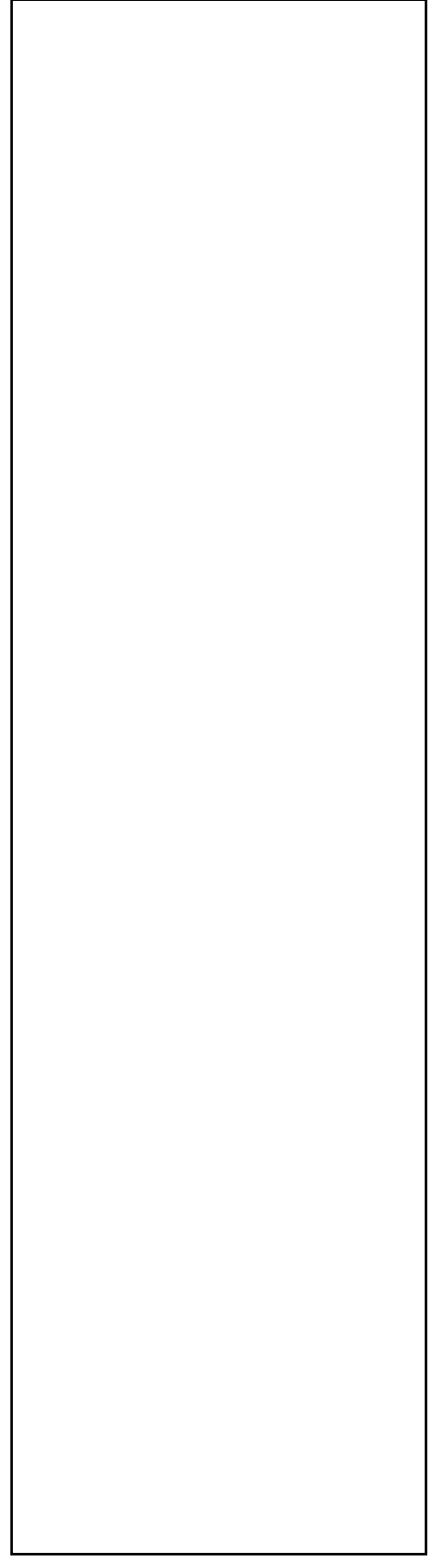


# TWO BIAX RAPID START



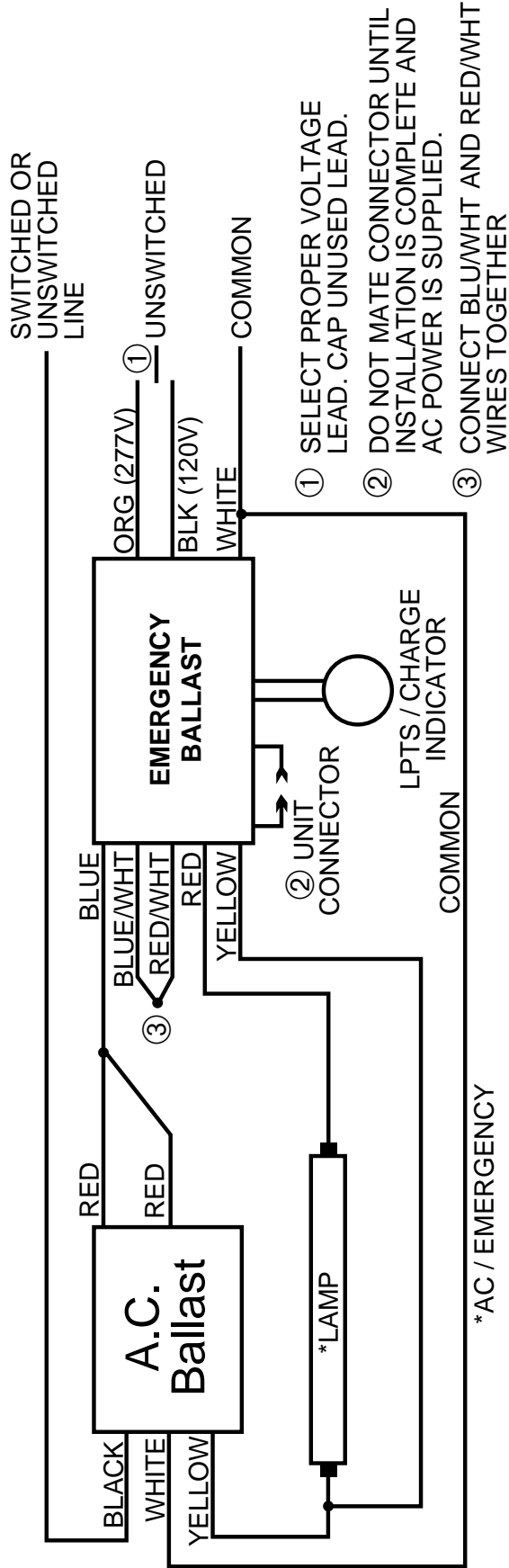
- ① SELECT PROPER VOLTAGE LEAD. CAP UNUSED LEAD.
- ② DO NOT MATE CONNECTOR UNTIL INSTALLATION IS COMPLETE AND AC POWER IS SUPPLIED.

\*AC / EMERGENCY



1LISB\_F2

## ONE LAMP INSTANT START FULLHAM BALLAST

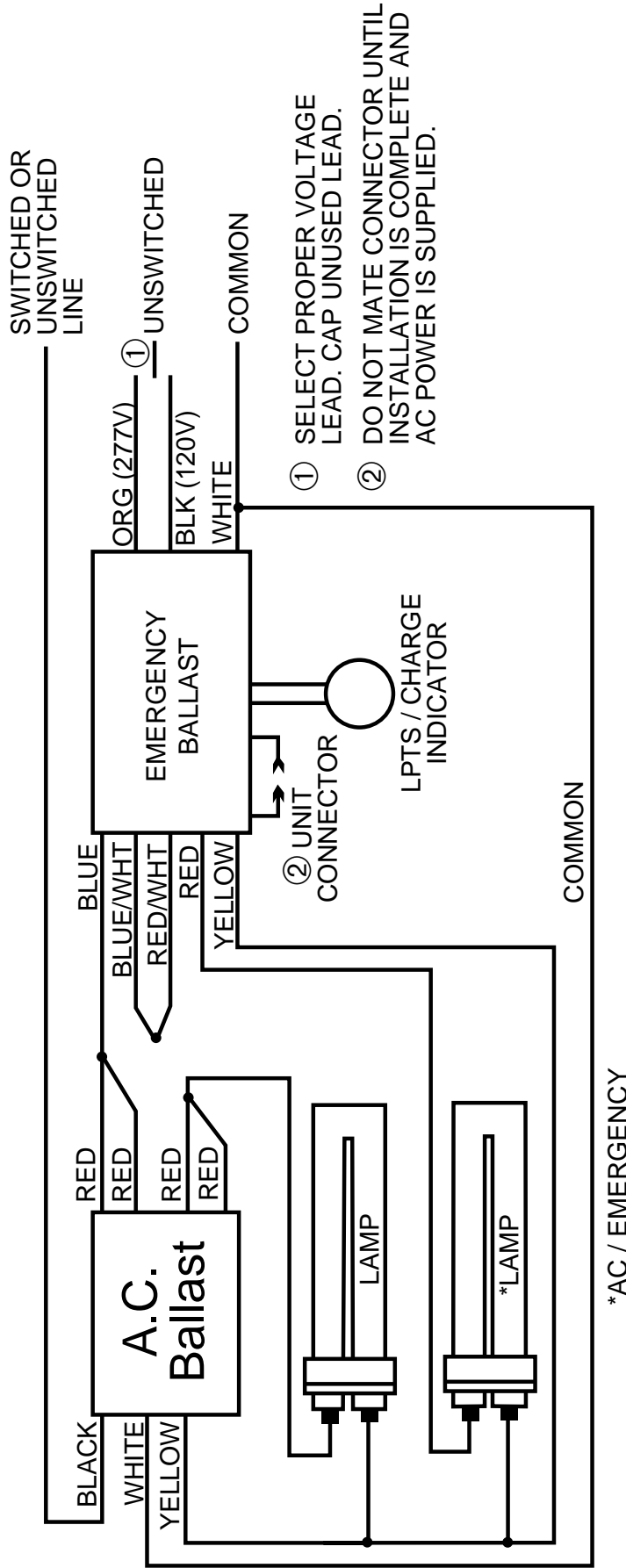


FULLHAM

WORKHORSE 3

ALL COMPATIBLE BALLASTS MAY NOT BE LISTED.  
\*DIMMING CONTROL WIRES ARE NOT AFFECTED BY EM PACK

# FULLHAM WORKHORSE BALLAST



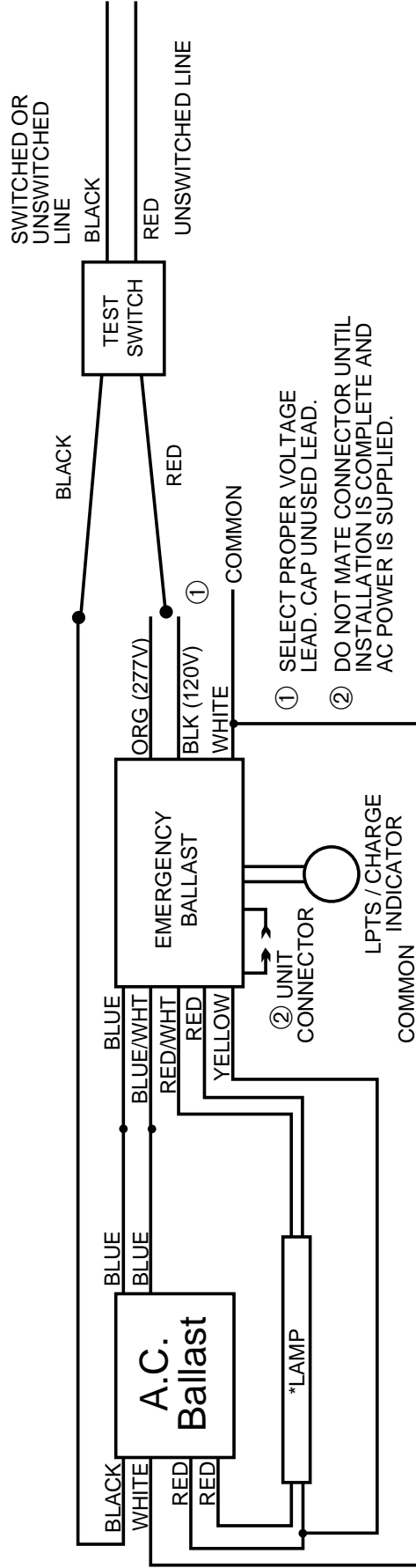
**FULLHAM**

WORKHORSE 5

ALL COMPATIBLE BALLASTS MAY NOT BE LISTED.  
\*DIMMING CONTROL WIRES ARE NOT AFFECTED BY EM PACK

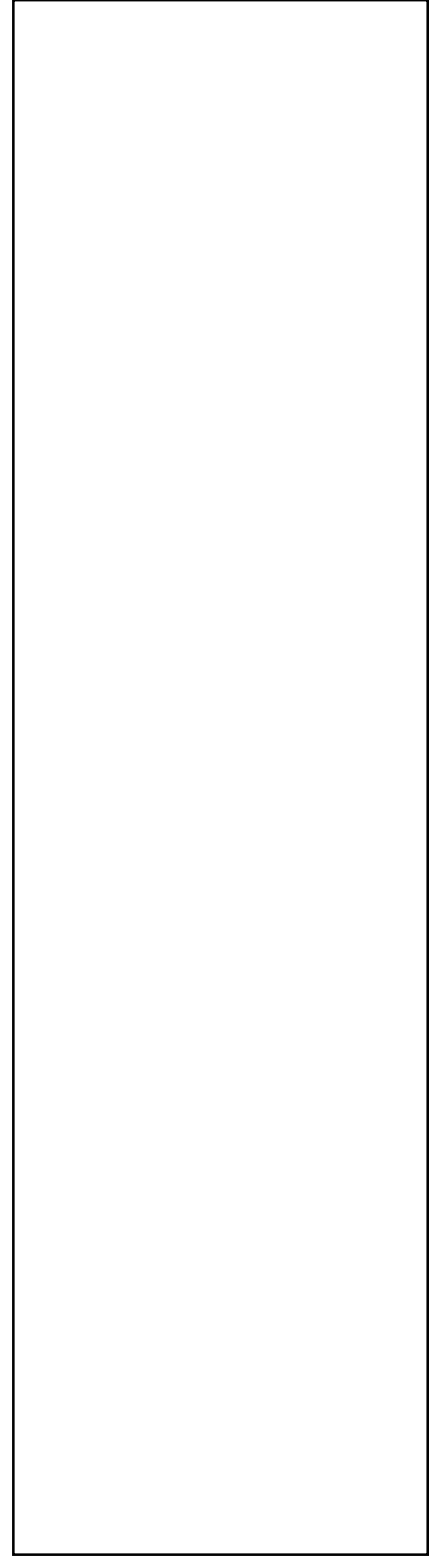
1LRSBWTS

# ONE LAMP RAPID START BALLAST WITH TEST SWITCH



- ① SELECT PROPER VOLTAGE LEAD. CAP UNUSED LEAD.
- ② DO NOT MATE CONNECTOR UNTIL INSTALLATION IS COMPLETE AND AC POWER IS SUPPLIED.

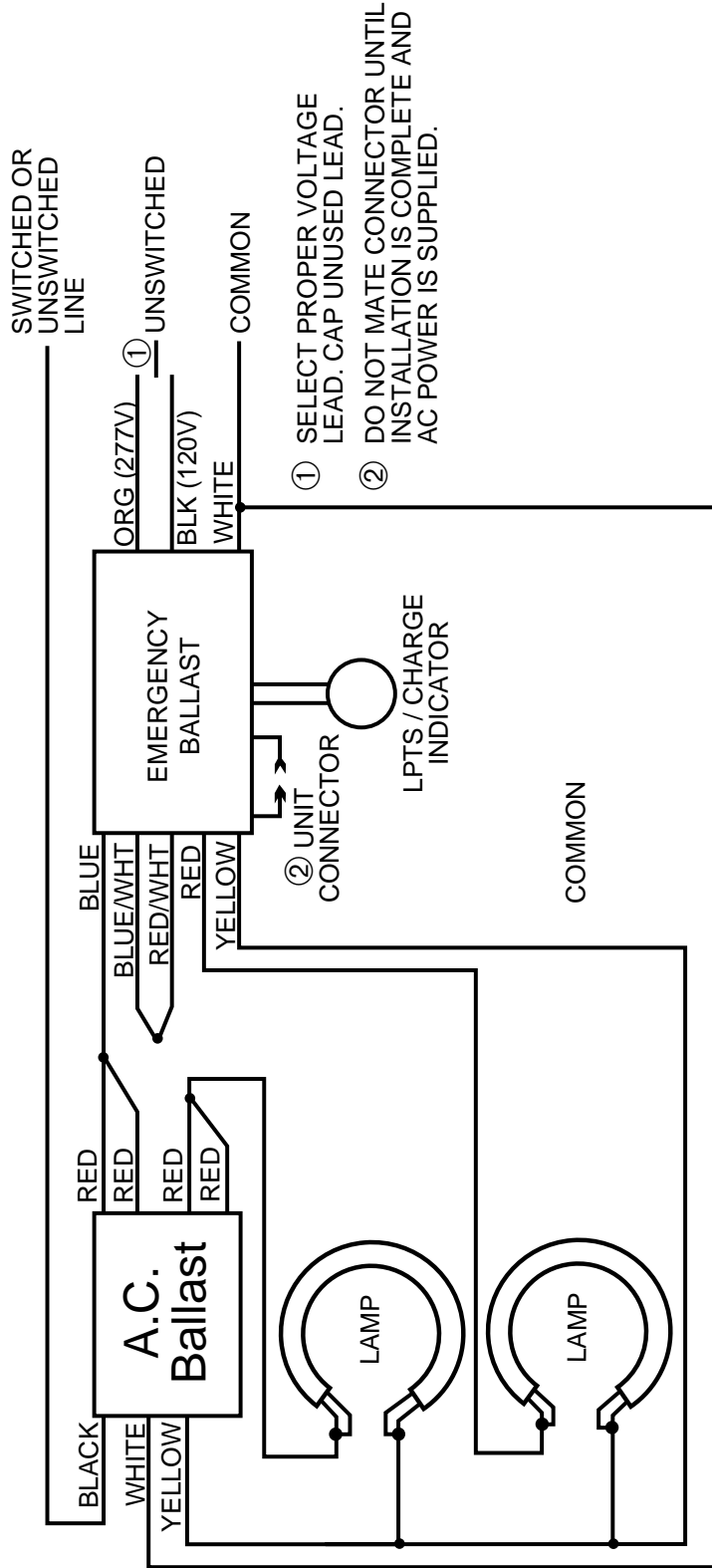
\*AC / EMERGENCY





FW5BC

## FULLHAM WORKHORSE BALLAST WITH TWO CIRCLINE LAMPS



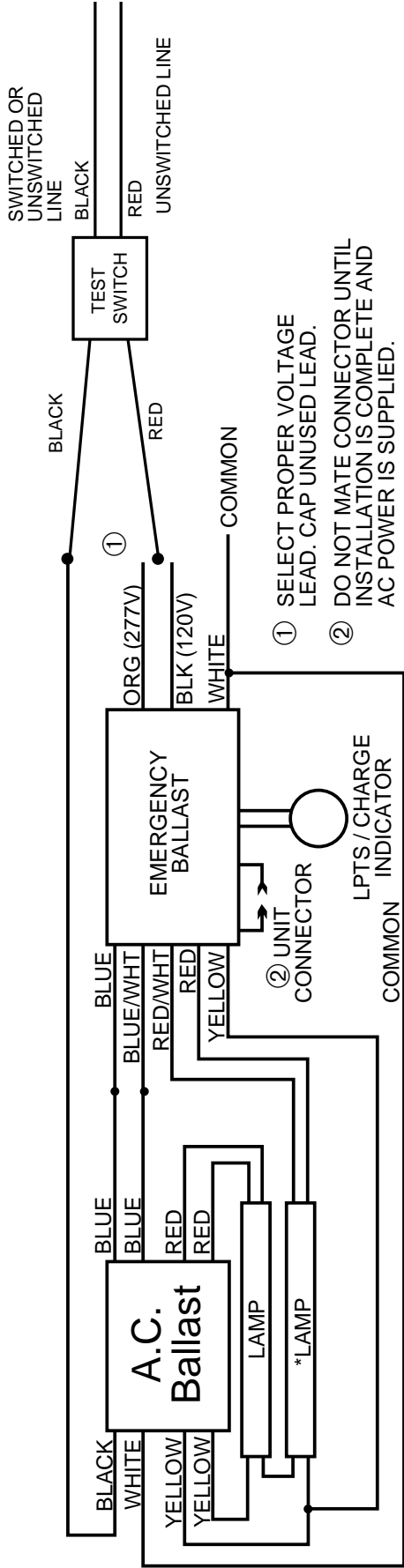
\*AC / EMERGENCY

FULLHAM  
WORKHORSE 5

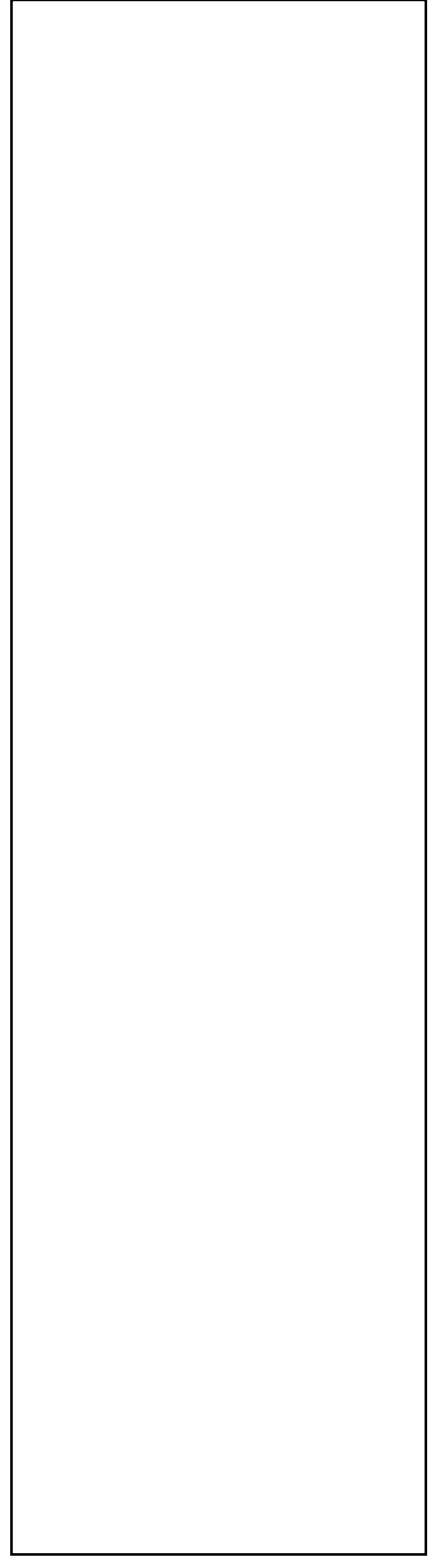
ALL COMPATIBLE BALLASTS MAY NOT BE LISTED.  
\*DIMMING CONTROL WIRES ARE NOT AFFECTED BY EM PACK

2LR5BWTS

## TWO LAMP RAPID START BALLAST WITH TEST SWITCH

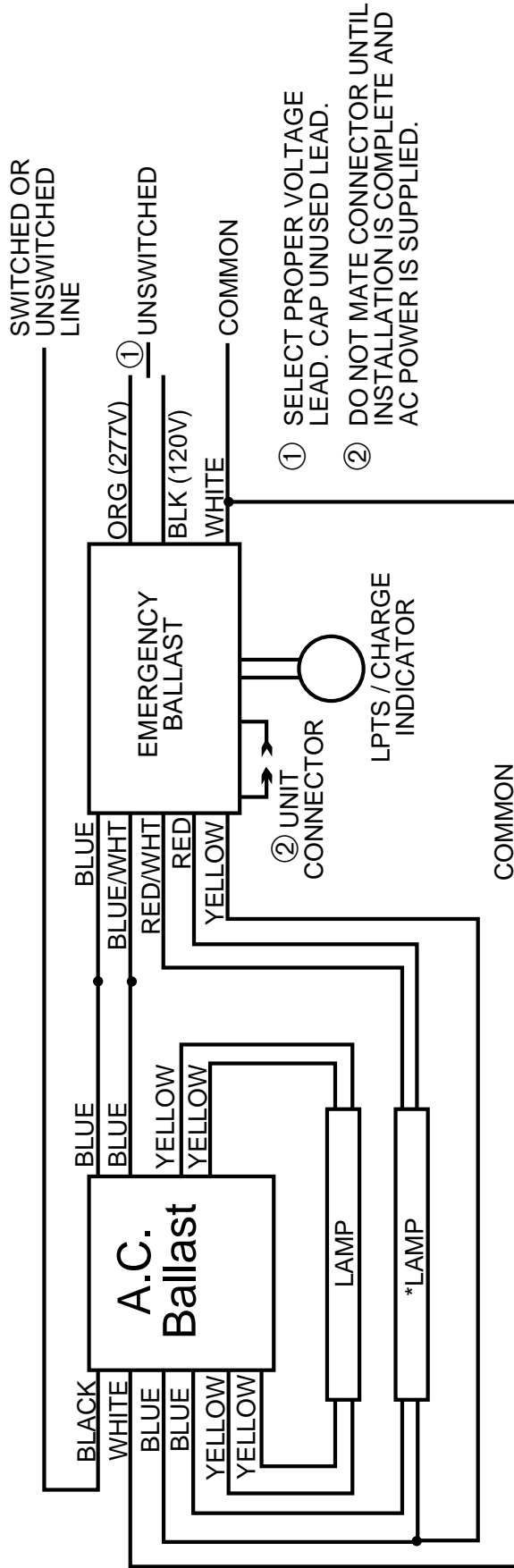


\*AC / EMERGENCY



2LR5B4

## TWO LAMP RAPID START BALLAST

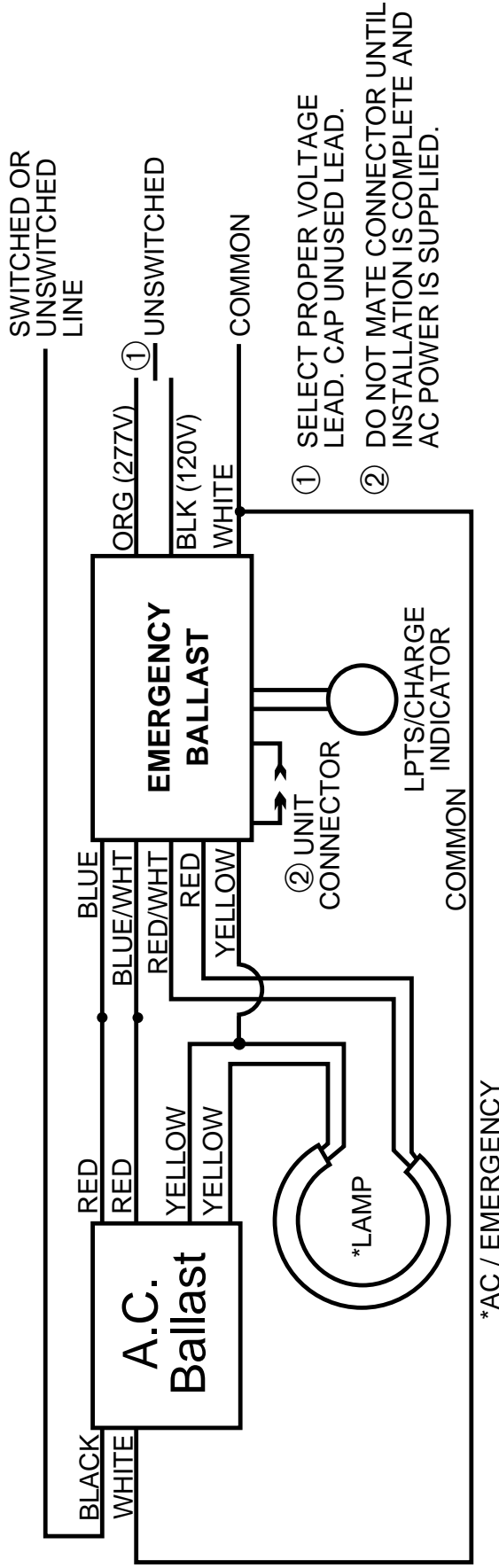


ELBA  
ERP-232-L

ALL COMPATIBLE BALLASTS MAY NOT BE LISTED.  
\*DIMMING CONTROL WIRES ARE NOT AFFECTED BY EM PACK

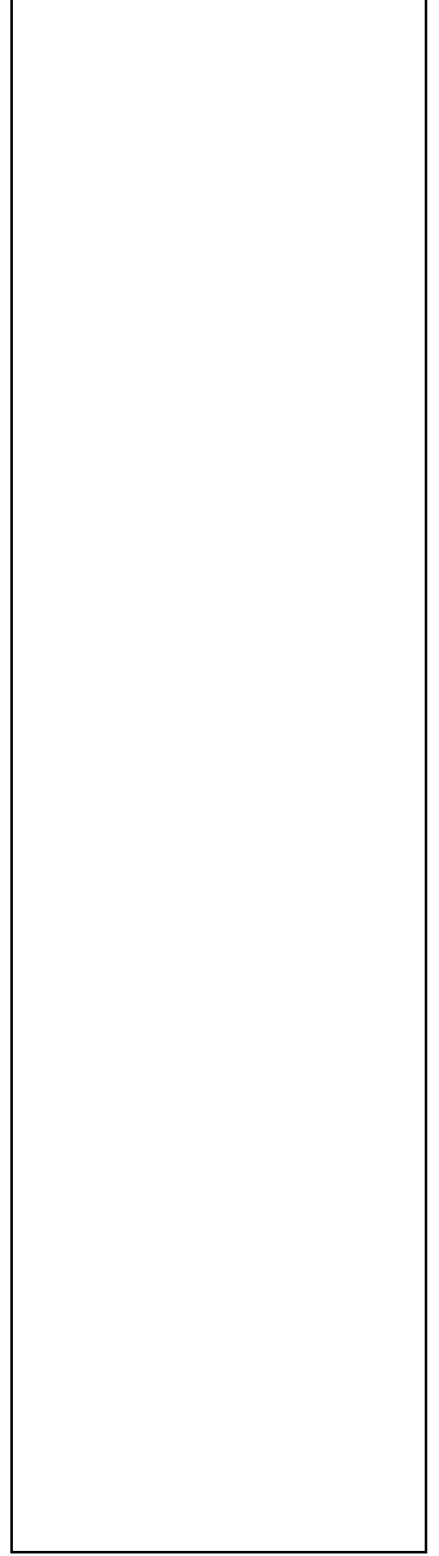


# ONE LAMP CIRCLINE RAPID START BALLAST

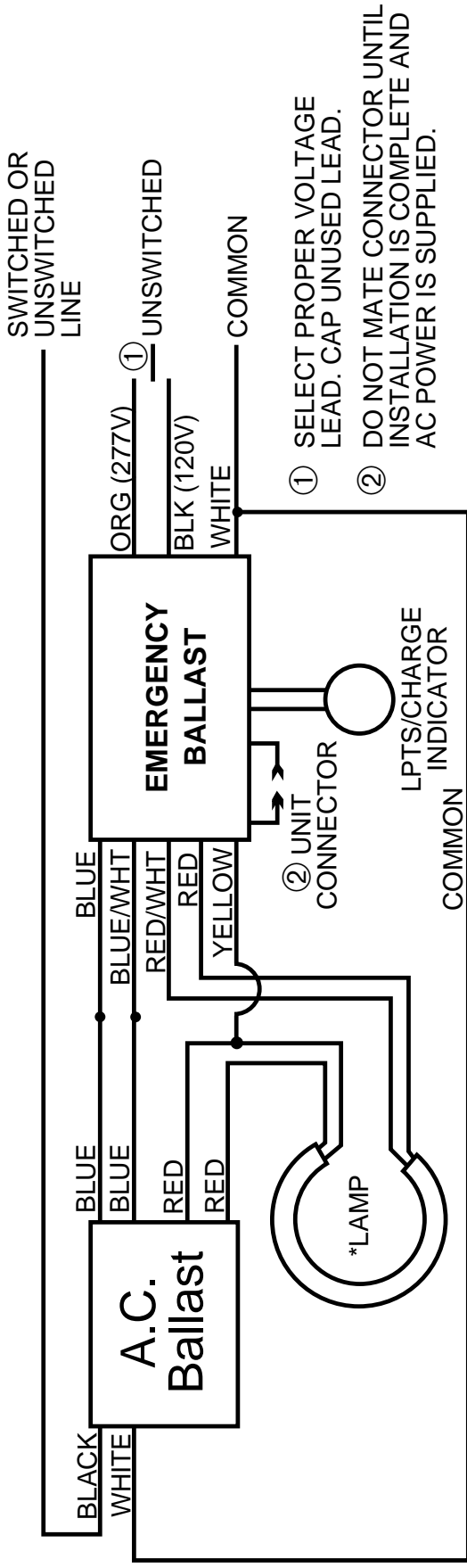


- ① SELECT PROPER VOLTAGE LEAD. CAP UNUSED LEAD.
- ② DO NOT MATE CONNECTOR UNTIL INSTALLATION IS COMPLETE AND AC POWER IS SUPPLIED.

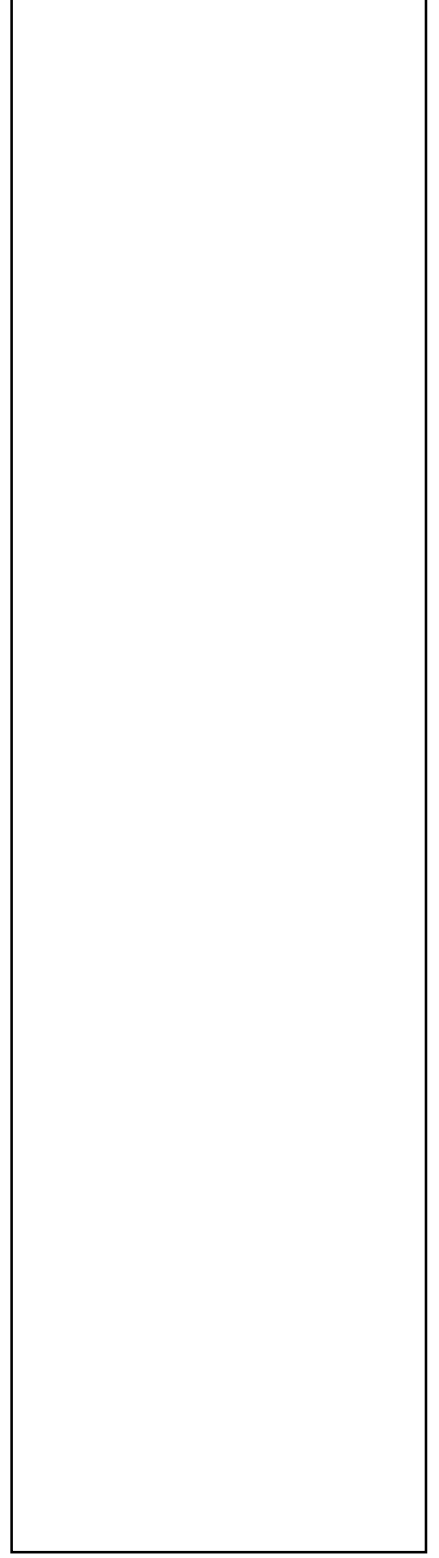
\*AC / EMERGENCY



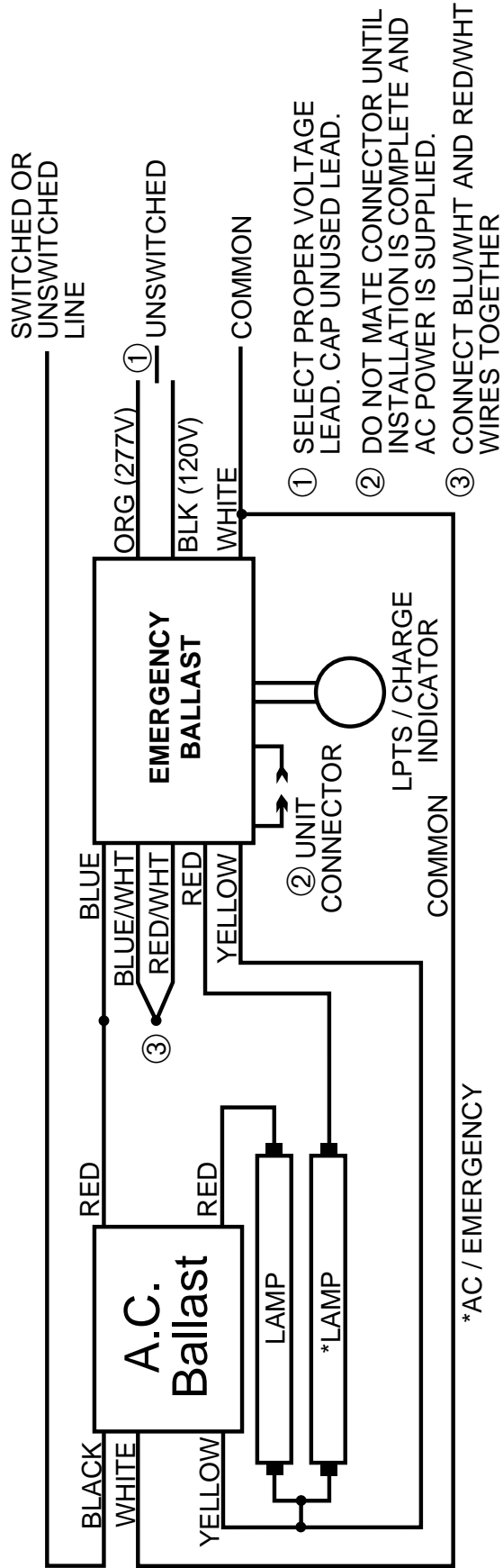
# ONE LAMP CIRCLINE RAPID START BALLAST



\*AC / EMERGENCY



# TWO LAMP INSTANT START BALLAST

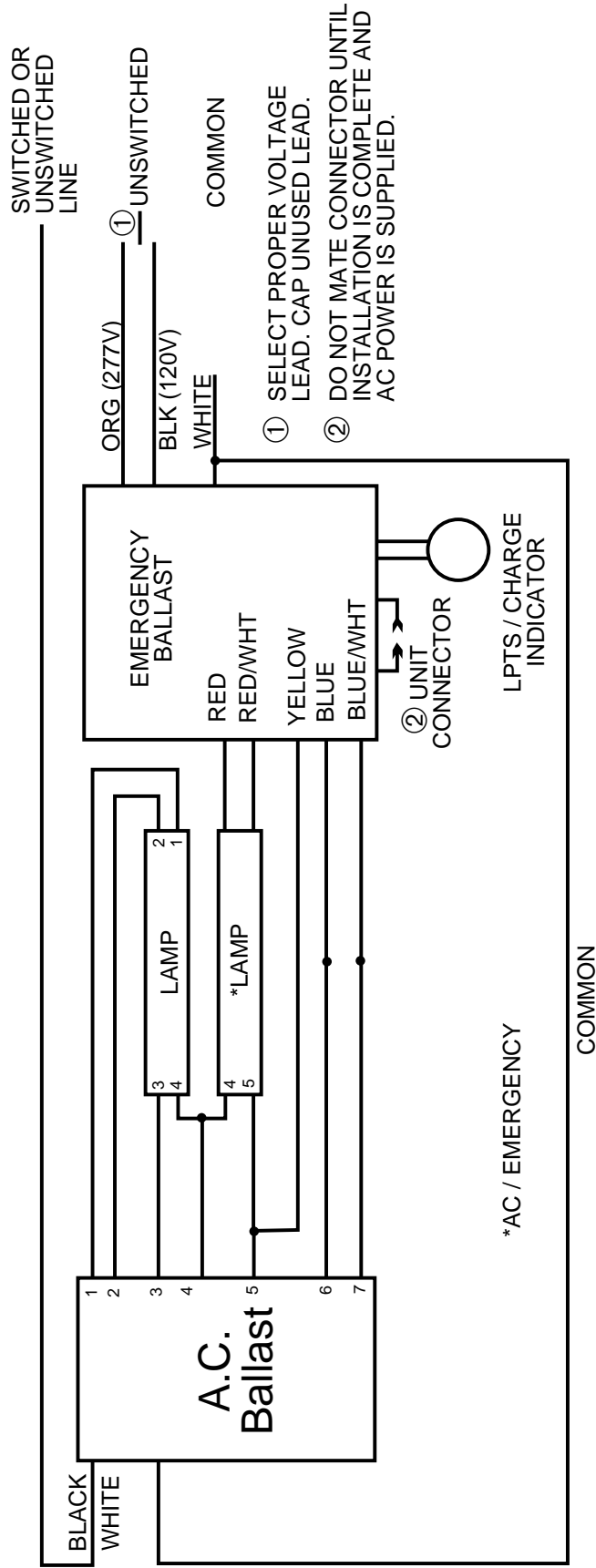


FULLHAM  
WORKHORSE 4

ALL COMPATIBLE BALLASTS MAY NOT BE LISTED.  
\*DIMMING CONTROL WIRES ARE NOT AFFECTED BY EM PACK

2LR5B\_ACE\_2

# TWO LAMP RAPID START BALLAST



ANTRON / ACE

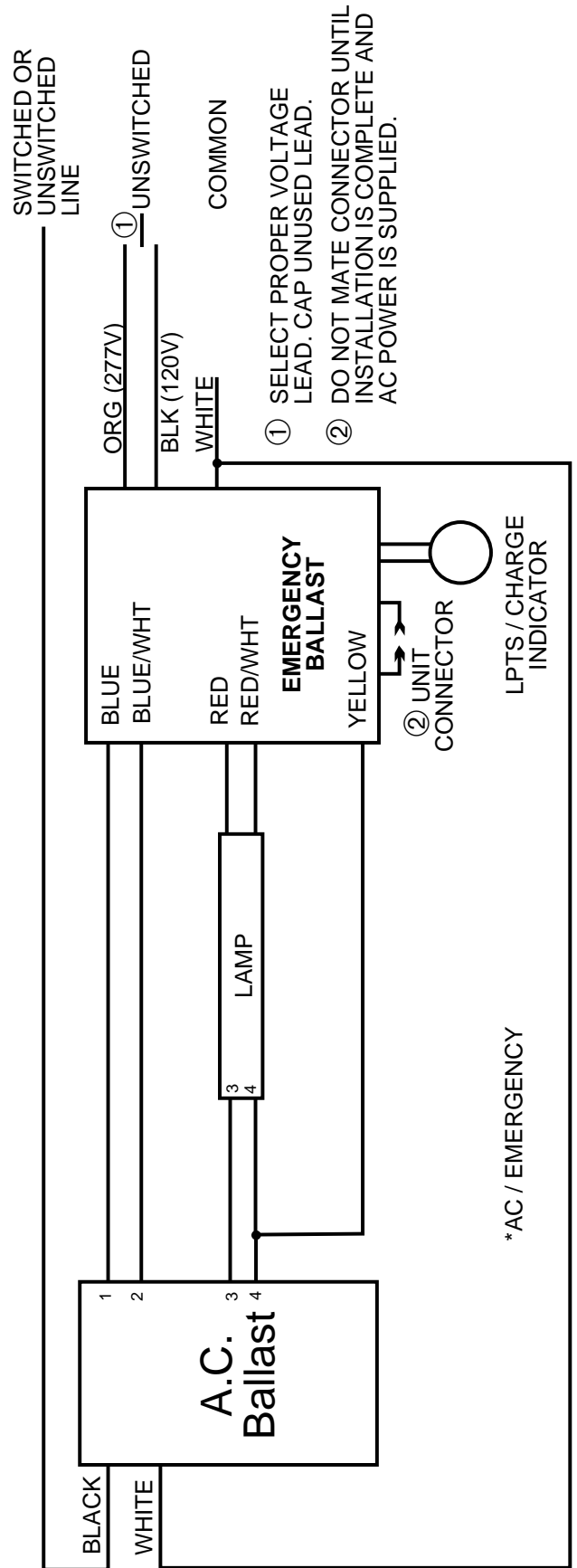
EPD-B54T5

ALL COMPATIBLE BALLASTS MAY NOT BE LISTED.  
\*DIMMING CONTROL WIRES ARE NOT AFFECTED BY EM PACK



1LR5B\_ACE\_2

# ONE LAMP RAPID START BALLAST

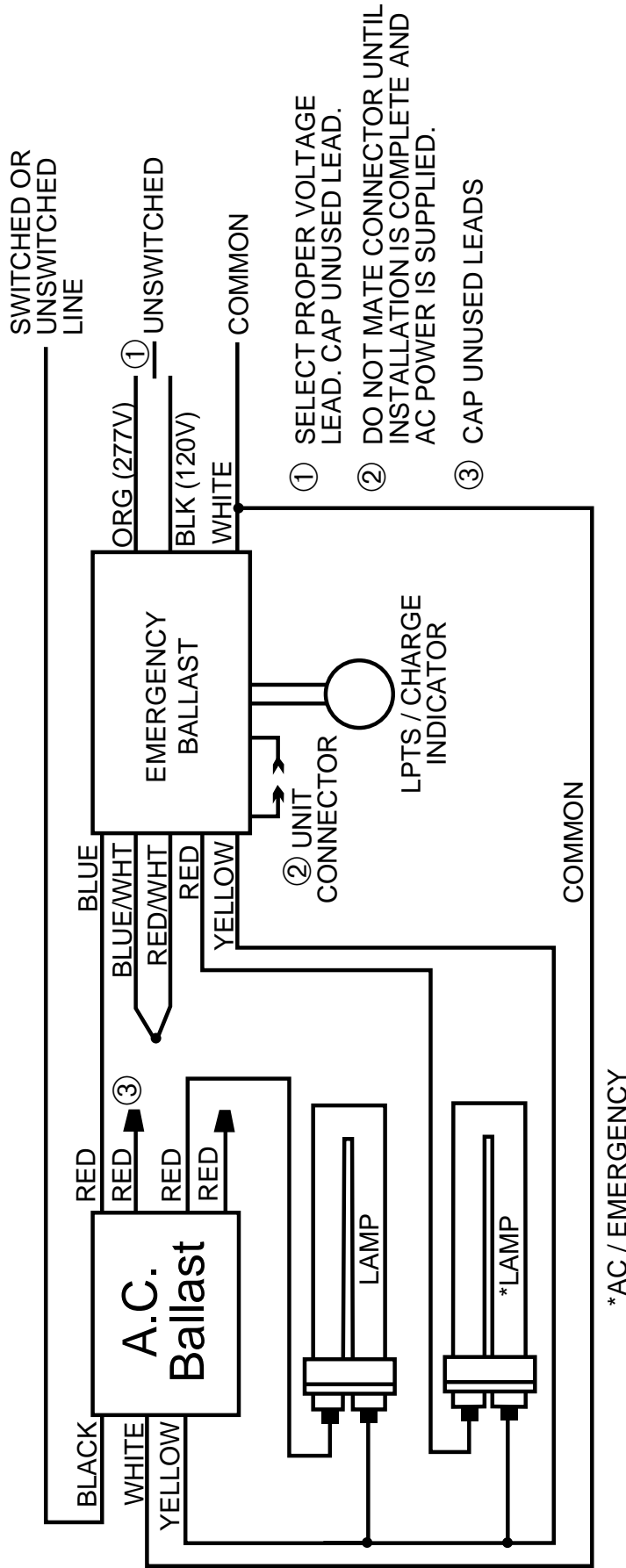


ANTRON / ACE

EPD-B54T5

ALL COMPATIBLE BALLASTS MAY NOT BE LISTED.  
\*DIMMING CONTROL WIRES ARE NOT AFFECTED BY EM PACK

## FULLHAM WORKHORSE BALLAST



- ① SELECT PROPER VOLTAGE LEAD. CAP UNUSED LEAD.
- ② DO NOT MATE CONNECTOR UNTIL INSTALLATION IS COMPLETE AND AC POWER IS SUPPLIED.
- ③ CAP UNUSED LEADS

**FULLHAM**  
WORKHORSE 5

ALL COMPATIBLE BALLASTS MAY NOT BE LISTED.  
\*DIMMING CONTROL WIRES ARE NOT AFFECTED BY EM PACK