



Exit Signs and Combo Units

Simplicity™ Series Exit Signs	26, 27
Genesis™ Series Exit Signs	28, 29
U8XL Series Exit Signs	30
U8XL Series Combo Unit	31
8XJSLED Series Combo Unit	32, 33
Severe XV™ Series Exit Sign.....	34
Severe XV™ Series Combo Unit	35



SIMPLICITY™ Series

Die-Cast Aluminum, 8 or 6-inch Exit Sign
LED Edge-Lit, AC only or Self-Powered
Listed to UL 924 Standards

The Simplicity™ Series exit sign is a snap to install and complements any decor. Using energy saving LED technology, the Simplicity Series features state-of-the-art acrylic panels and precision etched lettering for maximum clarity, visibility and aesthetic appeal.

FEATURES

- **RELIABILITY:** The Simplicity Series comes complete with a five-year warranty.
- **POWER REQUIREMENTS:** 120/277 Vac, 60Hz, 0.3/0.15A.
- **HOUSING:** Modular sign allows for easy installation. Crafted from precision die-cast aluminum. Lightweight and rugged. Universal backbox for all mounting applications.
- **LED STRIP:** LED Strip design allows for rotation for either ceiling or wall mounting. The LED Strip light source offers unequalled energy efficiency with long life legend illumination.
- **TRIM PLATE:** Innovative, aesthetically pleasing design in your choice of either flat, dome, or pyramid shape to accent any decor perfectly.
- **FACE PANEL:** Our LED edge-lit acrylic panels are the pinnacle of the industry. State-of-the-art technology allows us to extrude the acrylic panels resulting in maximum clarity and illumination proven superior to molded panels. Furthermore, our precision etched letters further enhance clarity and illumination.
- **MODULAR DESIGN:** A retainer clip allows for face panel installation that is a “snap” while ensuring a tight fit.
- **DIE-CAST ALUMINUM:** Trim ring used for recessed application, ensures proper seal, and eliminates light leaks.
- **SELF-POWERED UNITS**
 - ♦ **BATTERY:** Long-life, maintenance-free, sealed Nickel-Cadmium battery illuminates the sign for a minimum of 90 min. in emergency mode.
 - ♦ **CHARGER:** Supplied with an automatic, precise constant current charger. The charger is temperature-compensated, short-circuit protected and capable of recharging the battery in accordance with UL 924 standards.

SELF-TEST / DIAGNOSTIC FEATURE

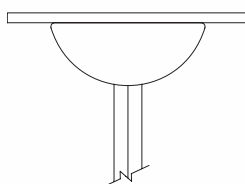
(Optional)

The self-test/diagnostic feature continuously monitors the charger assembly, battery and LED assembly current. If a fault is indicated, the external service required indicator will illuminate. The internal fault indicators will then indicate the nature of the fault. The self-test/diagnostic will self test for 30 seconds every 30 days, 30 minutes every 60 days and 90 minutes annually. Meets NFPA 101 Life Safety Code requirements for periodic testing.

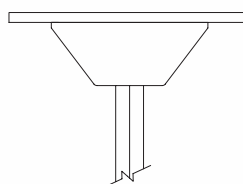
POWER CONSUMPTION CHART

Model	AC Specs		DC Specs	
AC-Only	120 to 277 Vac	2W	-	-
AC/DC	120 to 277 Vac	2W	6 to 24 Vdc	Less than 2W
Self-Powered	120 to 277 Vac	2.5W	NiCad Battery	Min. 90 minutes

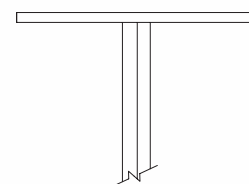
CHOICE OF TRIM PLATES



Dome Trim



Pyramid trim



Flat Trim

- Dome or pyramid can be pendant mounted.
- Flat trim for recessed ceilings only. Can be used with drywall ceiling.

ARROW (CHEVRON) DESIGNATION



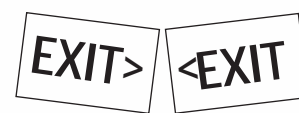
Chevron Right (CR)



Chevron Left (CL)



Single Face
Double Chevron (1DC)
Double Face
Double Chevron (2DC)



Double Face
Single Chevron (CLCR)
Represents each side of a double face panel.

*Wording and chevron's not to scale. Illustration purposes only.

SIMPLICITY™ Series



EASY INSTALLATION

- A quick connect plug is used to wire the LED strip to the charger and power supply.
- Torsion springs on the trim plate slide into the back box to provided a tight seal between both.
- The modular design results in easy “snap in” of face panel.

OPTIONS

(Add suffix to Model No.)

- Flasher/Buzzer (Self-powered only)-**FB**
- Fire Alarm Activated Flasher-**FAF**
- Dual Circuit (AC models only)-**2**
- Self-Test Diagnostics (Self-powered only)-**D**

For special wording, contact factory.

ACCESSORIES

(Add suffix to Model No.)

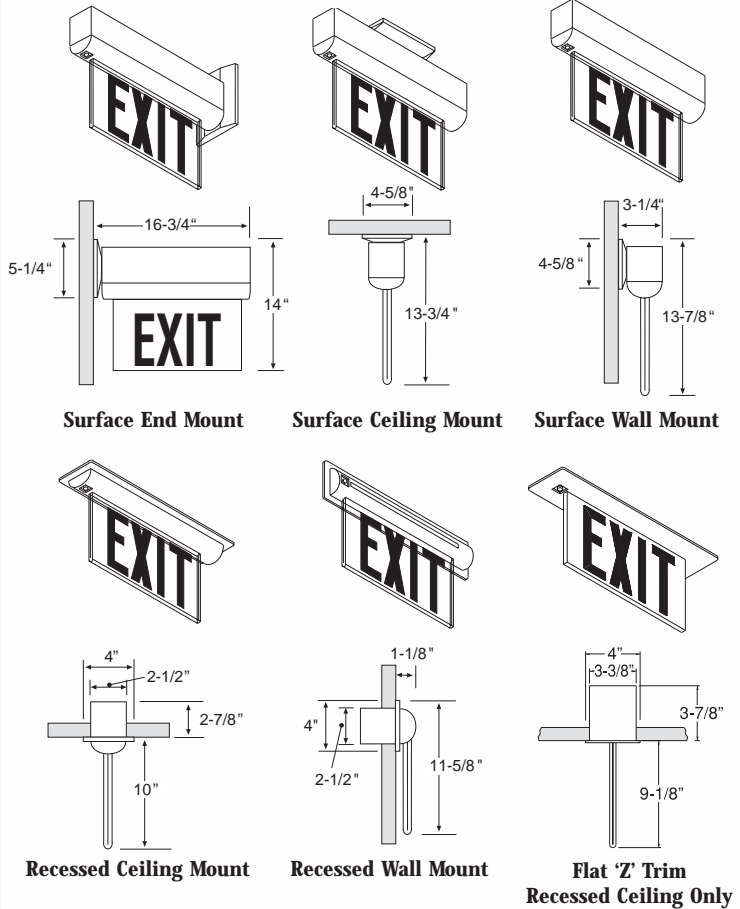
- Pendant, White **PW-***
- Pendant, Black..... **PB-***

*Custom pendant length for dome and pyramid trims available, consult factory (12", 24", 36" etc).



DIMENSIONS

Dimensions are approximate and subject to change.



ORDERING INFORMATION

Example: 8 SPLED A RW Z CLCR

--	--	--	--	--	--	--

Panel Size	Series	Unit Color	Panel Type	Trim	Directional Chevron	Options
8 = 8-inch Letters Blank = 6-inch Letters	SLED = AC Only SPLED = Self-Powered	W = White A = Brushed Aluminum B = Black DB= Bronze PB= Polished Brass CH= Chrome	*RC = Red/Clear RM = Red/Mirror RW = Red/White * Single face only	D = Dome P = Pyramid Z = Flat Trim	Blank = Single Face, No Chevron 2 = Double Face, No Chevron CR = Chevron Right CL = Chevron Left CLCR = Double Face, Single Chevron 2DC = Double Face, Double Chevron 1DC = Single Face, Double Chevron	See Options



GENESIS™ Series

Die-Cast Aluminum, 8 or 6-inch Exit Sign
LED AC, AC/DC, or Self-Powered
Listed to UL 924 Standards

The Genesis™ Series LED exit sign combines visual appeal, durability and energy efficiency in a compact, contemporary design. Available in AC only, AC/DC or self-powered models, the Genesis Series of exit signs is ideally suited for installation in any commercial interior where aesthetics are important.

FEATURES

- **RELIABILITY:** The Genesis™ Series comes complete with a five-year warranty.
- **HOUSING:** Precision die cast aluminum housing features invisible, universal chevron and mounting knockouts. Low profile mounting canopy included with all exit signs for universal top, end or back mount.
- **ELECTRICAL:** All AC only signs come wired as AC/DC signs which operate off a remote DC power source when AC power fails. DC input is a 2-wire, 6-48Vdc universal input.
- **LIGHT SOURCE:** High intensity LED's with diffuser disperses light and enhances brightness. LED's draw only 2 watts of electricity for either single or double face signs.
- Optional damp location listing on all models.
- **SELF-POWERED UNITS**
 - **HOUSING:** Self-Powered Models are self contained, all circuitry and batteries are contained inside the exit housing.
 - **BATTERY:** Long life, maintenance-free, sealed Nickel-Cadmium battery.
 - **ELECTRONICS:** Fully integrated circuitry includes a 120/277 Vac input transformer, automatic, temperature compensated charger, charge monitor LED and test switch.

SELF-TEST / DIAGNOSTIC FEATURE

(Standard)

The self-test diagnostic feature continuously monitors the charger assembly, battery and LED assembly current. If a fault is indicated, the external service required indicator will illuminate. The internal fault indicators will then indicate the nature of the fault. The self-test/diagnostic will self test for 30 seconds every 30 days, 30 minutes every 60 days and 90 minutes annually. Meets NFPA 101 Life Safety Code requirements for periodic testing.

POWER CONSUMPTION CHART

Model (6 in.)	AC Specs		DC Specs	
AC-Only	120 to 277 Vac	1.25W	-	-
AC/DC	120 to 277 Vac	1.25W	6 to 24 Vdc	Less than 1.5W
Self-Powered	120 to 277 Vac	1.60W	NiCad Battery	Min. 90 minutes

Model (8 in.)	AC Specs		DC Specs	
AC-Only	120 to 277 Vac	2.5W	-	-
AC/DC	120 to 277 Vac	2.5W	6 to 24 Vdc	1.6W
Self-Powered	120 to 277 Vac	2.9W	NiCad Battery	Min. 90 minutes

GENESIS™ Series



OPTIONS

(Add suffix to Model No.)

- Dual Circuit (AC-only)-2
- Open Face / Special Wording-Y**
- Vandal Resistant Screws-VR
- Vandal Shield and Screws-LVR
- Fire Alarm Activated Flasher-FAF
- Flasher/Buzzer (Self-powered only)-FB
- Damp Location Listed.....-DL
- Canopy:
- SCA Approved for New Construction-SCA*
- SCA Approved for Retrofit Work-SCAR*

*SCA/SCAR: School Construction Authority Approved
 **Consult factory

ACCESSORIES

(Order as separate item)

- Pendant Mount WhiteGPW-*
- Pendant Mount BlackGPB-*
- Wire Guard (Wall Mount) (8 in.)WG1-L
- Wire Guard (Ceiling Mount) (8 in.)WG3-L
- Wire Guard (Wall Mount) (6 in.)WG13-L
- Wire Guard (Ceiling Mount) (6 in.)WG14-L
- Wire Guard (End Mount) (6 in.)WG15-L
- Wire Guard (End Mount) (8 in.)WG17-L
- Vandal Shield (Wall Mount)VRC
- Vandal Shield, NEMA-4X (Wall Mount)..VRC-4X

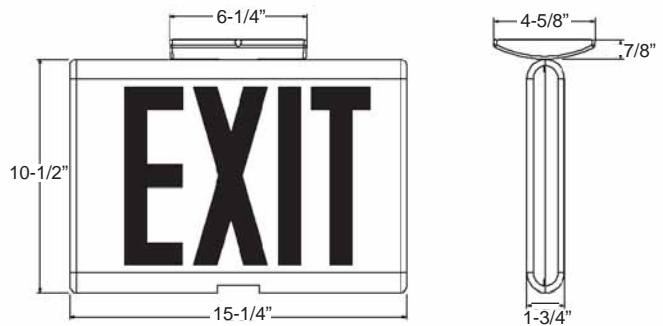
*Custom pendant length and colors available, consult factory (12", 24", 36" etc).
 Note: 8 in. = School Construction Authority Approved



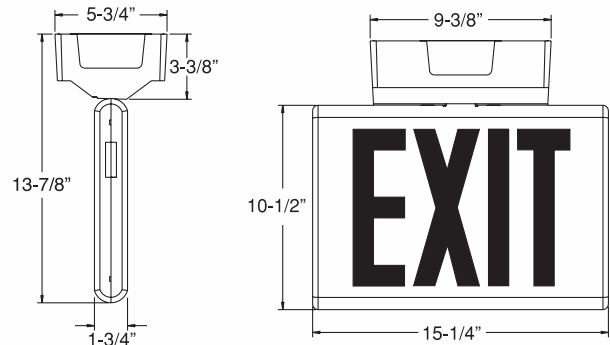
DIMENSIONS

Dimensions are approximate and subject to change.

Standard Canopy (SCA)



Retrofit Canopy (SCAR)



ORDERING INFORMATION

Example: 8 GXE B R A-LVR

--	--	--	--	--	--	--

Letter Size	Series	Housing Color	Letter Color	Face Color	Options	Standard Series Designator
8 = 8-inch Letters 82 = 8-inch Letters Double Face Blank = 6-inch Letters	GX = AC-only GXE = Self-Powered	B = Black W = White A = Brushed Aluminum DB = Dark Bronze PB = Polished Brass	R = Red	B = Black W = White A = Brushed Aluminum	See Options	Blank = 8" Exit -N = 6" Exit



U8XL Series

All Metal, 8-inch
LED Exit Sign, AC or Self-Powered
Listed to UL 924 Standards

The U8XL Series combines versatility with highly-efficient, energy saving illumination. AC-only and Self-powered models available. The same size as the AC-only model, the self-powered model is self-contained with the batteries and circuitry within the exit housing.

FEATURES

- **RELIABILITY:** The U8XL Series has a three-year full warranty for self-powered units only (excluding lamps and fuses). Highly energy efficient – consumes a maximum of 3 watts in AC.
- **HOUSING:** Durable metal housing. Standard finish is mist white, although other finishes are available. Consult ordering information for details. Housing includes knockouts for universal mounting to wall or ceiling box. The faceplates shall be constructed of metal and come standard metal with knockout chevrons.
- **LIGHT SOURCE:** Long-life, high-brightness, LED light source of ALINGAP technology. LEDs provide uniform illumination across the entire exit legend, for both single and double face signs.
- **SELF-POWERED UNITS**
 - ♦ **BATTERY:** Long-life Nickel-Cadmium battery to provide a minimum of 90 minutes of emergency operation.
- **POWER REQUIREMENTS:**
 - ♦ 120/277 Vac, 60Hz, 0.3/0.15A.
- **ELECTRONICS:**
 - ♦ AC-ON and charge monitor LED
 - ♦ Low voltage disconnect prevents over discharge of the battery
 - ♦ Labor saving AC line latch prevents battery discharge during installation to a non-energized circuit.

APPLICATIONS

Ideally suited for commercial and institutional applications requiring an attractive, yet robust energy efficient exit sign.

OPTIONS

(Add suffix to Model No.)

- Fire Alarm Activated Flasher-FAF
- Flasher/Buzzer (Self-Powered)-FB
- Vandal Resistant Screws-VR
- Vandal Shield and Screws-LVR

ACCESSORIES

(Order as separate item)

- Wire Guard (Wall Mount)WG2-L
- Wire Guard (End Mount)WG17-L
- Pendant BlackPB-*
- Pendant WhitePW-*

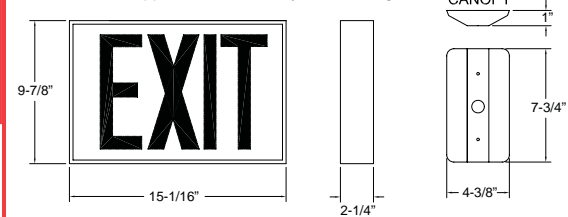
*Custom pendant length available, consult factory (12", 24", 36" etc.)

POWER CONSUMPTION CHART

Model (8 in.)	AC Specs		DC Specs	
	AC-Only	AC/DC	AC Specs	DC Specs
AC-Only	120-277 Vac	Less than 2.7W	-	-
AC/DC	120-277 Vac	Less than 2.7W	6 to 24 Vdc	Less than 1.5W
Self-Powered	120-277 Vac	Less than 2.7W	NiCad Battery	Min. 90 minutes

DIMENSIONS

Dimensions are approximate and subject to change.



ORDERING INFORMATION

Example: U 8XL EN W R W

--	--	--	--	--	--	--

Style	Model	Type	Color	Letter Color	Stencil	Options
U = Universal 2 Faces & Canopy	8XL = XL Series	Blank = AC only EN = Self-Powered Nickel-Cadmium	W = White B = Black	R = Red	W = White B = Black A = Aluminum	See Options

U8XL Combo Series

All Metal, 8-inch Combination Unit
Listed to UL 924 Standards

NEW DESIGN: more battery capacity, more light output !

The new design of the U8XL mini-system series features 30% to 67% more battery capacity and more powerful emergency lights, including the option of modern-look, MR16 halogen lamps.

The immediate benefits for the customer are an improved illumination on the floor and a longer path of egress covered by the new unit, which translates to better lighting and cost savings.



APPLICATIONS

Ideally suited for commercial and institutional applications that require a low-profile unit with various mounting configurations.

OPTIONS

(Add suffix to Model No.)

- Fire Alarm Activated Flasher-FAF
- Flasher/Buzzer (Self-Powered)-FB
- Vandal Resistant Screws-VR
- Vandal Shield and Screws-LVR

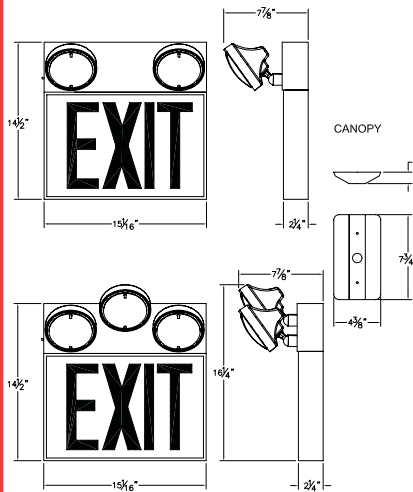
ACCESSORIES

(Order as separate item)

- Wire Guard (Combo)WG3-L

DIMENSIONS

Dimensions are approximate and subject to change.



FEATURES

- **RELIABILITY:** The U8XL Series comes standard with a three-year full warranty (excluding lamps and fuses).
- **HOUSING:**
 - ♦ Durable steel housing, includes knock-outs for universal mounting to the wall or ceiling.
 - ♦ EXIT faceplates are constructed of Aluminum and come standard with knock-out chevrons
- **BATTERY:** The unit comes standard with a sealed, maintenance-free Lead-Calcium battery, able to supply the EXIT sign plus 30 Watts of power in emergency mode.
- **LIGHT SOURCE:**
 - ♦ The EXIT sign is illuminated by long-life, high-brightness LEDs of ALINGAP technology, consuming less than One Watt of power.
 - ♦ The unit comes standard with Par 36 size thermoplastic heads with wedge base incandescent lamps. Optional lamp heads and lamps are available upon request, consult the factory.
- **ELECTRONICS:**
 - ♦ Pulse-type charger circuit maintains the battery performance in stand-by mode
 - ♦ AC-ON and Hi-Charge monitor LEDs
 - ♦ Low-voltage disconnect prevents deep discharge of the battery
 - ♦ AC line latch allows the battery connection during installation to a non-energized AC circuit.
- **POWER REQUIREMENTS:**
 - ♦ 120/277 Vac, 60Hz, 0.23/0.10A.

POWER CONSUMPTION CHART

Dual voltage input 120/277VAC, 60Hz, 0.23/0.10 Amp. This consumption includes the EXIT sign module, which consumes less than 1 Watt of power

Battery	Emergency Power	# of Heads	Lamp Types	Remarks
Lead-Calcium	30 Watts	3	Incand. 6V 9W	Standard
		3	MR16 6V 10W	Add suffix M10*
		2	Quartz 6V 12W	Add suffix LH6
Nickel-Cadmium	24 Watts	2	Incand. 6V 9W	Standard
		2	MR16 6V 10W	Add suffix M10*
		2	Quartz 6V 12W	Add suffix LH6

* Mini-heads only



ORDERING INFORMATION

Example: U 8XL W R W /3L

--	--	--	--	--	--	--

Style	Model	Battery Type	Color	Letter Color	Stencil	# of Heads
U = Universal 2 Faces & Canopy	8XL =XL Combo Series	Blank = Lead-Acid N = Nickel-Cadmium	W = White B = Black	R = Red	W = White B = Black A = Aluminum	/0 = No heads /2L = 2 Large Heads /3L = 3 Large Heads /2M = 2 Mini Heads /3M = 3 Mini Heads



8XJSLED Series

12V Steel Emergency Lighting and 8-inch LED Exit Sign
Sealed Maintenance Free Lead-Calcium Battery
Listed to UL 924 Standards

Aesthetically attractive, economical unit ideal for commercial or institutional facilities. The 8XJSLED Series combines 12-volt, 2 or 3-head emergency lighting with an 8" LED exit in one housing. This combo offers quick and easy installation along with multiple remote capability to power additional exits or emergency remote fixtures.

FEATURES

- **RELIABILITY:** The 8XJSLED Series comes complete with a three-year full warranty (excluding lamps, pilot lights and fuses).
- **HOUSING:** The resistant housing is fabricated using 20-gauge precision die formed steel. This single housing, exit combination with two or three thermoplastic lamp heads. Standard mist white enamel finish. Please contact the factory for other available finishes.
- **LAMP HEADS:** Lamp heads are constructed of injection molded thermoplastic material with the option of two or three emergency lighting heads, which mount directly to the unit. Heads are fully adjustable and the front lens assembly is molded from translucent clear acrylic for efficient lumen output. Rotation stops are molded into all heads as per UL 924 specifications. When ordering option with (-2/3) heads, the unit shall come with 2 heads mounted on the unit and one spare head included in the box.
- **BATTERY:** The 8XJSLED unit contains a 12V sealed, maintenance-free lead calcium rechargeable battery. A low voltage disconnect shall be provided to shut off the lamp load and circuitry to protect battery from possible damage due to deep discharge. This unit has 90 minutes, minimum, of emergency back-up.
- **LIGHT SOURCE:** This unit is equipped with ultra-high brightness Aluminum Indium Gallium Phosphate (ALINGAP) LED. Both the AC and battery operation utilize the same set of high brightness LED. The emergency heads are furnished with lamp heads wedge based, T5, tungsten high lumen output lamps. The standard unit comes with 12 watt heads.

APPLICATIONS

The 8XJSLED unit is ideal for all industrial, commercial and institutional environments requiring extended illumination time and remote capability.

BATTERY

12 volt sealed maintenance free Lead-Calcium rechargeable battery. The unit has 90 minutes, minimum of emergency back-up.

POWER CONSUMPTION CHART

Energy Data	Ac Input	Maximum		Stand-By	
		Input Current (A)	Input Power (Watts)	Input Current (A)	Input Power (Watts)
Entire Unit	120V	0.225	19.5	0.060	5.2
	277V	0.095	19.0	0.025	5.2



Exit sign modules have earned the Energy Star by consuming less than 1 watt.

8XJSLED Series



OPTIONS

(Add suffix to Model No.)

Extra 36W Remote Capacity-R

ACCESSORIES

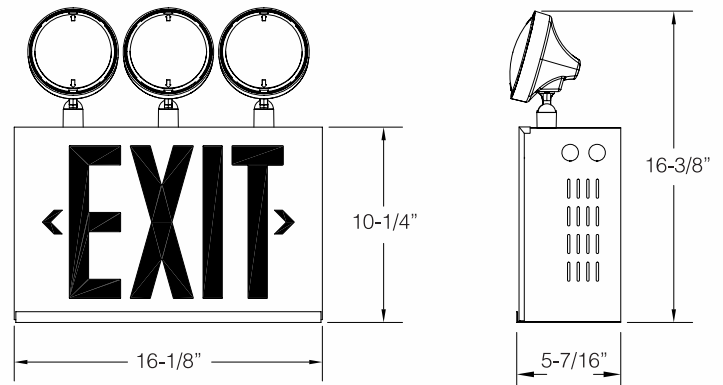
(Order as separate item)

Mounting PlatformMP-PQA

Wire GuardWG3-L

DIMENSIONS

Dimensions are approximate and subject to change.



ORDERING INFORMATION

Example: B8XJSLED-0-BRA-R

Housing Color	Series	Number of Heads	Letter/Face Color	Options
Blank = White B = Black	8XJSLED = 12V-36W	-0 = No Head (36W Output) -2 = Two Heads (12W each) (12W Remote) -3 = Three Heads (12W each) -2/3 = Two Heads Mounted on Unit and one Un-Installed Spare in the Box (12W each)	Blank = White Face/Red Fiber -BRA = Brushed Aluminum Face/Red Fiber	Blank = No Options -R = Extra Remote Capacity (36W) (72W Total Output)



SEVERE™ XV Series

NEMA-4X Rated, Self-Powered Exit Sign
standard with Self-Test/Diagnostic Circuitry
Listed to UL 924 Standards

The Severe™ XV Series, certified for NEMA-4X, is designed specifically for high abuse areas, wet locations and cold weather applications (-20°C (-4°F) for self-powered and -40°C (-40°F) for AC and AC/DC models). Please see "CW" option below. The Severe™ XV Series exit sign is unaffected by the vibrations, ambient temperature swings and typical power surges detrimental to standard exit light sources.

FEATURES

- **RELIABILITY:** The Severe™ XV Series has a five-year full warranty. Unit comes standard with tamper-resistant magnetic test switch and self-diagnostic circuitry on all self-powered models.
- **HOUSING:** Rugged PVC frame is fully gasketed around lens and canopy to prevent water infiltration. The sealed faceplate is constructed of heavy duty, vandal-resistant polycarbonate with evenly illuminated legend.
- **LIGHT SOURCE:** Light emitting diodes (LED). Red LED technology shall be long-life, energy-efficient ALINGAP. An LED-sensitive diffuser shall be mounted behind the legend to provide the 6" high by 3/4" stroke letters with even illumination.
- **ELECTRICAL:** The equipment shall operate with universal two-wire AC input voltage from 120Vac to 277Vac at less than 3 watts and universal two-wire DC input voltage from 6Vdc to 24Vdc at less than 1.5 watts for single and double face signs.

- **POWER REQUIREMENTS:**
▶ 120/277 Vac, 60Hz.



NEMA-4X



APPLICATIONS

Ideally suited for any environment that strains standard exit signage such as schools, transit platforms, parking garages, security areas/prisons, hose down areas, wet and cold locations and any areas prone to vandalism.

OPTIONS (Add prefix to Model No.)

- Dual Circuit Operation (120/120 or 277/277)2*
- Fire Alarm Activated Flasher-FAF
- Flasher/Buzzer (Self-Powered Only) ..-FB
- Flasher-FL
- 6, 12, 24 or 48 Volt DC Kit.....DC
- Open Face/Special WordingY
- Cold Weather Unit (-20°C (-4°F))CW
- Kit to Convert Single to Double Face (white)DFKR-WT
- Kit to Convert Single to Double Face (black)DFKR-BK

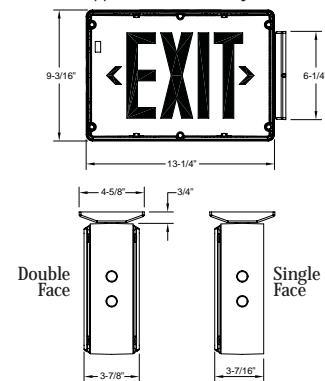
*AC only units.

BATTERY

Sealed maintenance-free Nickel-Cadmium battery for superior performance and long life. Provides 90 minutes of emergency operation upon AC failure. Batteries recharge as per UL requirements.

DIMENSIONS

Dimensions are approximate and subject to change.



POWER CONSUMPTION CHART

Model	AC Specs		DC Specs	
	AC-Only	120 to 277 Vac	1.2W	-
AC/DC	120 to 277 Vac	1.2W	6 to 24 Vdc	Less than 1.5W
Self-Powered	120 to 277 Vac	3.7W	NiCad Battery	Min. 90 minutes

ORDERING INFORMATION

Example: XVE-1-R-D-4X

--	--	--	--	--	--	--

Color Option Housing/Face	Series	Faces	Legend Colors	Diagnostics	Housing	Options
Blank = Black/Black BW = Black/White BA = Black/Alum. GB = Gray/Black GW = Gray/White GA = Gray/Alum. WB = White/Black WW = White/White WA = White/Alum.	XV = AC-Only XVE = Self-powered Nickel-Cadmium Battery	-1 = Single Face -2 = Double Face	-R = Red	Blank = AC-Only Models -D = Standard on all Self-Powered Models	-4X = Standard NEMA-4X Housing	See Options

SEVERE™ XV Combo Series

NEMA-4X Combo Unit
Listed to UL 924 Standards

The Severe™ XV Series NEMA-4X Rated Combo in an impressive, state-of-the-art illumination for use in harsh environments. It is offered with the choice of 5 watt, LED lamp heads or an MR16 light source.



APPLICATIONS

Offering impressive illumination of the path of egress, the Severe XV Series is designed for use in a wide range of applications, specifically high abuse areas, wet and cold locations.

BATTERY

Sealed maintenance-free Nickel-Cadmium battery for superior performance and long life. Provides 90 minutes of emergency operation upon AC failure. Batteries recharge as per UL requirements.

POWER CONSUMPTION CHART

Model	AC Specs		
	Voltage	Current	Power
XV12E	120 to 277 Vac	0.12/0.06A	Less than 13W
XV24E	120 to 277 Vac	0.18/0.09A	Less than 20W
CW Options	120 to 277 Vac	0.20A	Less than 23W

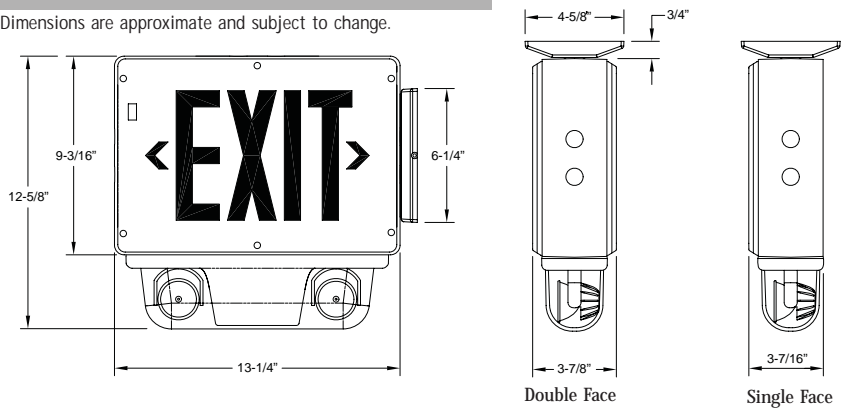


Listed



DIMENSIONS

Dimensions are approximate and subject to change.



FEATURES

- RELIABILITY:** The Severe™ XV Series has a five-year full warranty. Unit comes standard with non-intrusive magnetic test switch and continuous self-diagnostic monitoring and monthly self-testing.

- HOUSING:** Rugged PVC frame is fully gasketed around lens and canopy to prevent water infiltration. The sealed faceplate is constructed of heavy duty, vandal-resistant polycarbonate with uniform ALINGAP technology Red LED illuminated legend. Choice of white, black or grey housing and face. Universal mounting: wall, end or ceiling.

- LIGHT SOURCE:**
 - High efficiency MR16 lamps up to 12V, 12W or white LED (12V, 5W) emergency lights. Emergency lights shall be fully adjustable.

- ELECTRICAL:** The equipment shall operate with universal two-wire AC input voltage from 120Vac to 277Vac.

- POWER REQUIREMENTS:**
 - 120/277 Vac, 60Hz, 0.12/0.20A.

ORDERING INFORMATION

Example: XV12E1RD4X/2M6CW4

--	--	--	--	--	--	--	--	--	--

Housing/ Face Color	Series	Capacity	Faces	Letter Color	Diagnostics	Housing	# of Heads	Lamp/ Wattage	Options
Blank = Black/Black BW = Black/White BA = Black/Alum. WW = White/White WB = White/Black WA = White/Alum. GA = Gray/Alum. GW = Gray/White GB = Gray/Black	XV	12E = 6V-12W 24E = 12V-24W	1 = Single Face 2 = Double Face	R = Red Letters	D = Improved Diagnostics Non-Audible (standard) DA = Improved Diagnostics- Audible	4X = NEMA-4X	/0 = 0 Heads* /2 = Two Heads * Remote lamp(s) must be connected	M6 = MR16, 6V - 6W M12 = MR16, 12V - 12W L5 = LED, 12V - 5W	*CW4 = Cold Weather *Available in 12E1 Version Only (-40°C) (-40°F) FAF = Flasher (Fire Alarm Activated) **FB = Flasher/Buzzer (a.c. Power Failure) **Not Available with "DA" Option FL = Flasher (A.C. Power Failure)



AC Central Systems

Lightalarms central systems are battery based power systems designed to operate loads in the event of a utility failure or brownout condition. All systems are self-contained and fully automatic.

Batteries offered with central systems:

- Sealed Maintenance-Free Lead-Calcium (AC Systems)
- Refillable Nickel-Cadmium (AC Systems)



IPS (Interruptable)

Single phase power systems for incandescent and fluorescent emergency lighting systems

- 98% efficient
- 2mS transfer time
- PWM/IGBT technology
- Micro-processor control
- User programmable with password protection
- UL 924 Listed
- Automatic event and alarm log
- RS232 communications port
- Input circuit breaker
- Modular design
- Low audible noise
- Normally off output
- From 500KVa to 16.7KVa

Single Phase Fast Transfer (Uninterruptible)

Single phase power systems for HID, incandescent and fluorescent emergency lighting systems.

- 98% efficient
- PWM/IGBT technology
- Micro-processor control
- User programmable with password protection
- UL 924 Listed
- Automatic event and alarm log
- RS232 communications port
- Input circuit breaker
- Modular design
- Low audible noise
- Normally on output
- From 500KVa to 16.7KVa



Three Phase Fast Transfer (Uninterruptible)

On-line AC power systems for HID incandescent and fluorescent emergency lighting systems.

- 98% efficient
- PWM/IGBT technology
- Micro-processor control
- User programmable with password protection
- UL 924 Listed
- Automatic event and alarm log
- RS232 communications port
- Input circuit breaker
- Modular design
- Low audible noise
- Internal battery circuit breaker/fuse
- From 4.8KVa to 50KVa

All information and specifications contained on this page are subject to change without notice.