

## EPC Fixture Mounted Series

Emergency power control for generator and mini inverters. Supplies power to switched lighting fixtures.



### Mechanical specifications

- UL94-5VA rating
- Shipping weight: 8 oz
- Damp location
- Temperature: 32°F - 140°F (0°C - 60°C)
- Color: Black
- Body size: 4.9" x 0.9" x 1.2"

### Emergency Operation

- The EPC-2-FM-L & EPC-2-FM-D-L will operate any lamp type in the designated fixture for the duration of the generator or mini inverter supply

### Initial illumination

- The EPC-2-FM-L & EPC-2-FM-D-L will operate the designated lamp at full light output

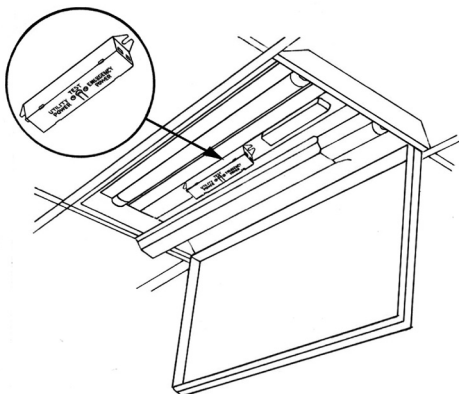
### Approval

- UL924 Listed

### Wiring diagrams

- Visit our website: [lightalarms.com](http://lightalarms.com)

### Mounting



### Housing

- Thermoplastic UL94-5VA suitable for plenum installations
- Compatible with LED, fluorescent and incandescent lamp types including standard, energy-saving, and electronic AC drivers and ballasts<sup>1</sup>

### Mounting

- Wall and ceiling mount

### Options

- 0-10V Dimming standard on the EPC-FM-2-D-L model
- Advanced Diagnostics standard EPC-2-FM-L and EPC-2-FM-D-L

### Lamp types

- During utility power interruption, automatically connects generator or inverter circuit to emergency fixture and bypasses switching control to full light output for duration of inverter or generator supply

### Lumen output

- Allows switching control of emergency fixtures during normal operation
- Allows auxiliary generator power on a switched lighting fixture

### Power requirements

- Dual voltage 120/277V 60Hz

### Approvals

- Meets or exceeds all National Electrical Code and Life Safety Code Emergency Lighting Requirements

### Warranty (subject to proper installation and maintenance)

Unit has a five-year warranty

Detailed warranty terms located on [page 182](#) or online at: [www.lightalarms.com](http://www.lightalarms.com)

<sup>1</sup> When using EPC-FM-2-L & EPC-FM-2-D-L to control more than 10 emergency ballasts with a high corrective power factor capacitor, consult factory for more information regarding inrush currents.



### Ordering information

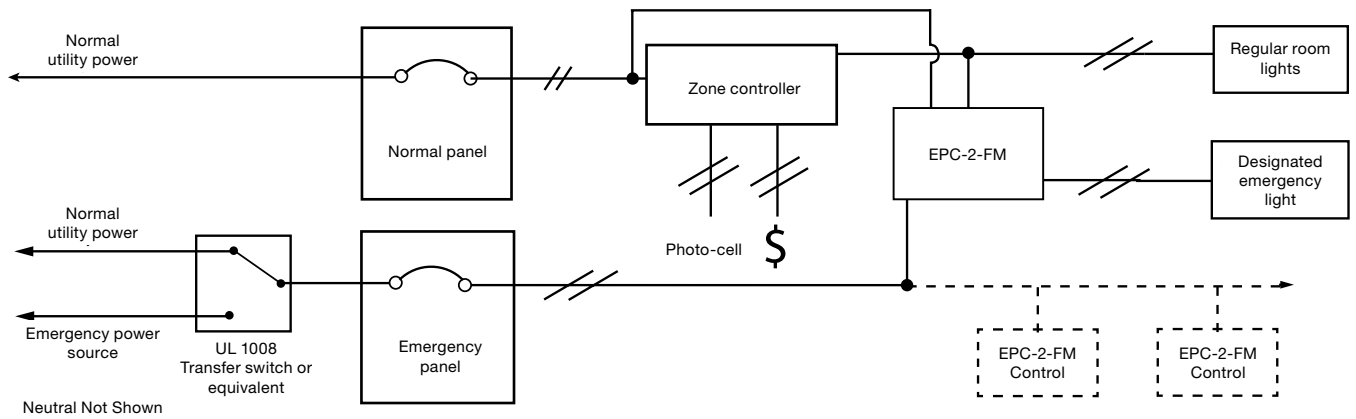
#### Series

**EPC-2-FM-L**= Emergency transfer switch fixture mounted with Advanced Diagnostics

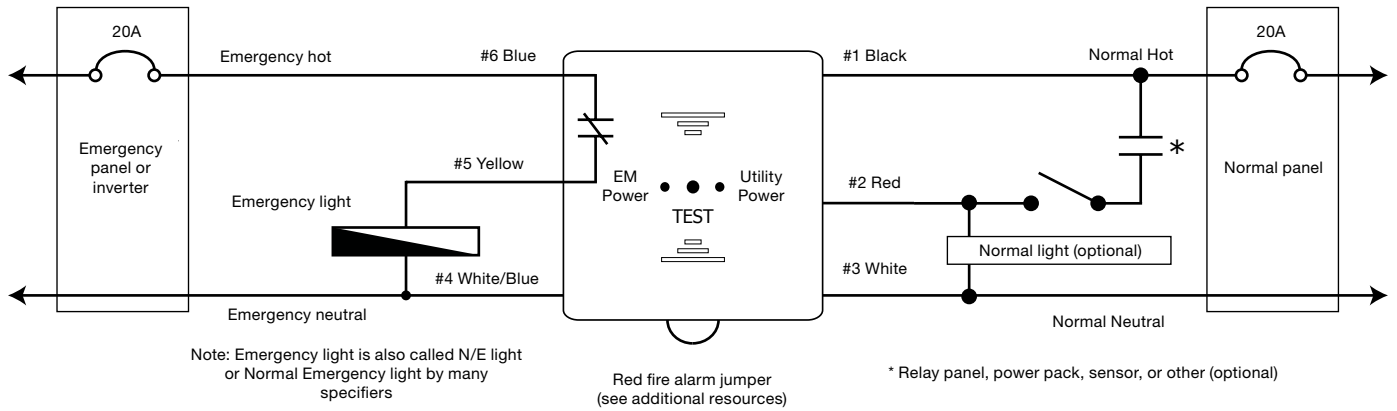
**EPC-2-FM-D-L**= Emergency transfer switch fixture mounted with Advanced Diagnostics and 0-10 dimming

**Example: EPC-2-FM-D-L**

Single line drawing



Wiring diagram



Specifications

Electrical	
Model number	EPC-2-FM
Sensing input	120V-277V
LED load rating	1A (120-277V)
Ballast load rating	5A (120-277V)
Incandescent load	360W (120V)/600W (277V)
Warranty	Five-year replacement warranty

Mechanical	
Mounting	Fixture mount, panel mount
Rating	UL94-5VA, Damp location rated
Shipping weight/Color	8 oz./Black
Temperature	32°F - 32°F (0°C - 60°C)
-	-
Body size	125mm X 25.4 mm X 30mm (L X H X W)