

EPC 2 Series

Emergency power control for generator and mini inverters. Supplies power to switched lighting fixtures.



Mechanical specifications

- Mounts in 4-11/16" Junction box with single gang plaster ring
- UL94-5VA rating
- Shipping weight: 12oz
- Temperature: 32°F - 140°F (0°C - 60°C)
- Color: White
- Flush mounted single gang
- Body size: 3" x .7" x 1.2"

Emergency Operation

- The EPC-2-L & EPC-2-D-L will operate any lamp type in the designated fixture for the duration of the generator or mini inverter supply

Initial illumination

- The EPC-2-L & EPC-2-D-L will operate the designated lamp at full light output

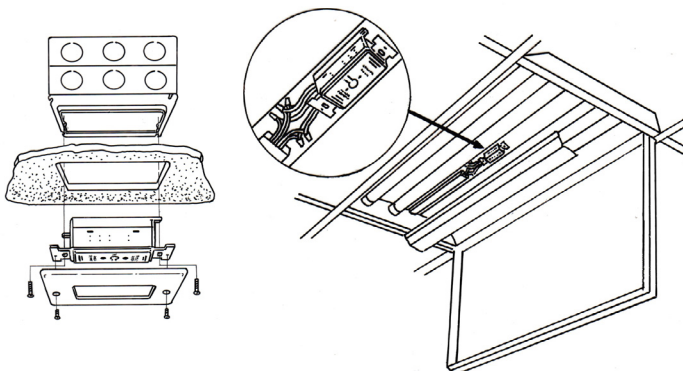
Approval

- UL924 Listed

Wiring diagrams

- Visit our website: lightalarms.com

Mounting



Housing

- Compatible with LED, fluorescent and incandescent lamp types including standard, energy-saving, and electronic AC drivers and ballasts¹

Mounting

- Mounts directly to fixture or panel mount

Options

- 0-10V Dimming standard on the EPC-2-D-L model
- Advanced Diagnostics standard EPC-2-L and EPC-2-D-L

Lamp types

- During utility power interruption, automatically connects generator or inverter circuit to emergency fixture and bypasses switching control to full light output for duration of inverter or generator supply

Lumen output

- Allows switching control of emergency fixtures during normal operation
- Allows auxiliary generator power on a switched lighting fixture

Power requirements

- Dual voltage 120/277V 60Hz

Approvals

- Meets or exceeds all National Electrical Code and Life Safety Code Emergency Lighting Requirements

Warranty

(subject to proper installation and maintenance)

Unit has a five-year warranty

Detailed warranty terms located on [page 182](#) or online at: www.lightalarms.com

¹ When using EPC-2-L & EPC-2-D-L to control more than 10 emergency ballasts with a high corrective power factor capacitor, consult factory for more information regarding inrush currents.



Ordering information

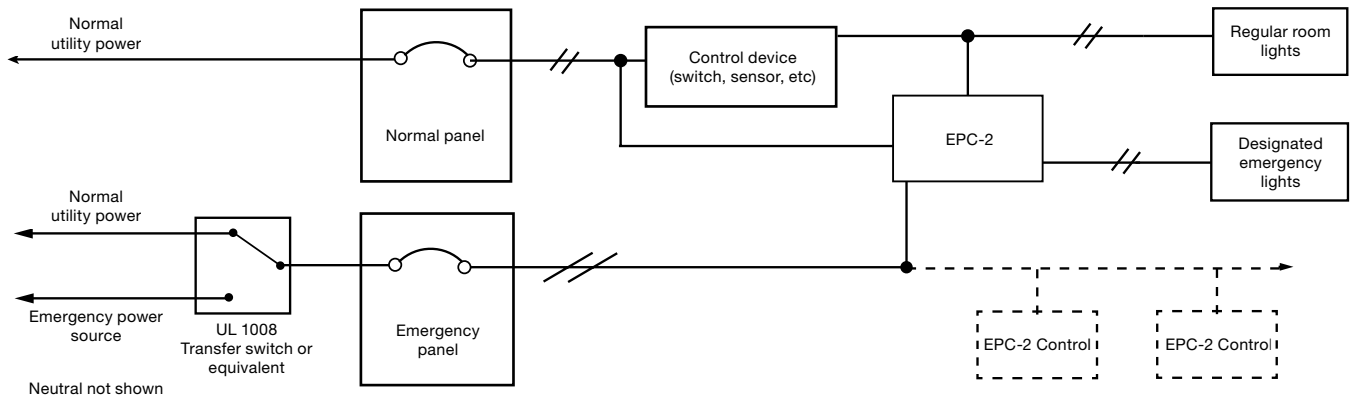
Series

EPC-2-L= Emergency transfer switch

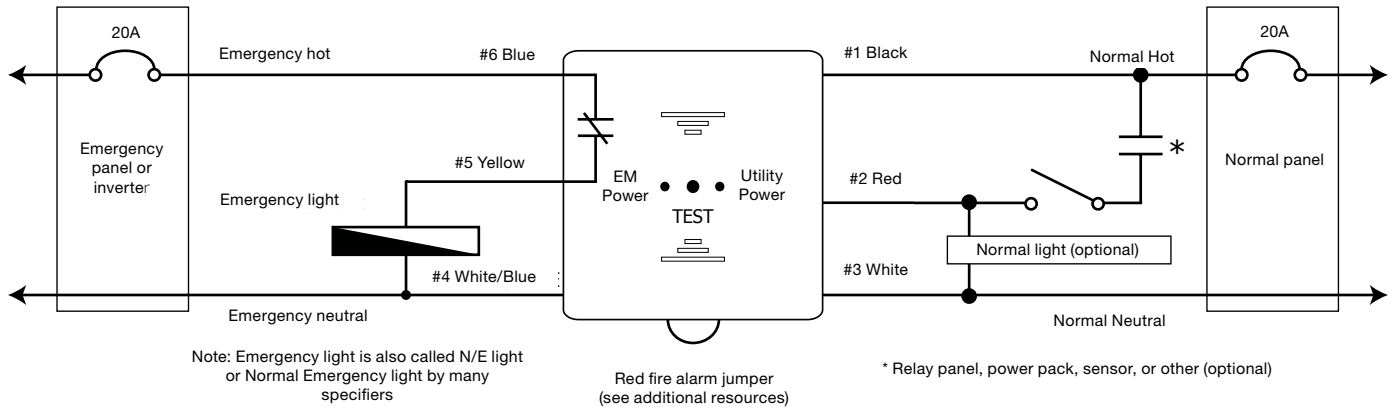
EPC-2-D-L= Emergency transfer switch with Advanced Diagnostics and 0-10 dimming

Example: EPC-2-D-L

Single line drawing



Wiring diagram



Specifications

Electrical	
Model number	EPC-2
Sensing input	120V-277V
LED load rating	120V-277V (20A)
Ballast load rating	20A (120-277V)
Incandescent load	1200W (120V)/1500W (277V)
Warranty	Five-year replacement warranty

Mechanical	
Mounting	4-11/16" Junction box with single gang plaster
Rating	UL94-5VA
Shipping weight/Color	12 oz. / White
Temperature	32°F - 140°F (0°C - 60°C)
Flush mounted size	Single gang size
Body size	1.7" X 3" X 1.2" (W X H X D body)