

SPH Series

Class I Division 2, Groups A, B, C and D, Class II Division 2 Groups F and G & Class III. NEMA-4X Severe-performance unit equipment for hazardous, damp and wet locations.



Housing

- Class I, Div. 2, Groups A, B, C & D, Class II Div. 2, Groups F & G, Class III
- Fiberglass light-grey housing with captive screws; outside hardware in stainless steel
- NEMA-4X protection grade against liquids and dust
- Compact size: 0.46 cubic feet

Mounting

- Simple and easy to install on walls, columns and struts
- For installation on columns use mounting bracket catalog number: PMK1-L (order separately)
- May be wired from top or side using conduit (½" NPT)

Performance

- Wide ambient temperature range (choice of battery types) *32°F to 122°F (0°C-50°C) high temperature Lead-Calcium battery *50°F to 104°F (10°C to 40°C Nickel Cadmium battery Optional cold-weather -40°F (-40°C) (available with 12V battery models only)
- High-efficacy LED emergency lamps outperform traditional 50W halogen lamps
- Innovative lamp design: four-LED and dual-driver provide illumination even in case of unexpected component failure

Testing option

- Infra-red remote control included in all models: allows testing the equipment without the need to climb a ladder. Distance range up to 30 ft. Universal, one Remote Control may test all the units on the job
- Non-Audible Improved Diagnostics and Self-test is standard in all models
- Optional: Nexus® monitoring system available

Approvals

- Listed UL924 and UL844 for hazardous locations: Class I Division 2, Groups A, B, C and D; Class II Division 2 Groups F & G and Class III; Rated NEMA-4X severe-performance for hazardous, damp and wet location.

Warranty (subject to proper installation and maintenance)

Unit: five-year limited warranty

Detailed warranty terms located on **page 182** or online at: www.lightalarms.com

nexus

NEMA-4X

id
Improved
diagnostics



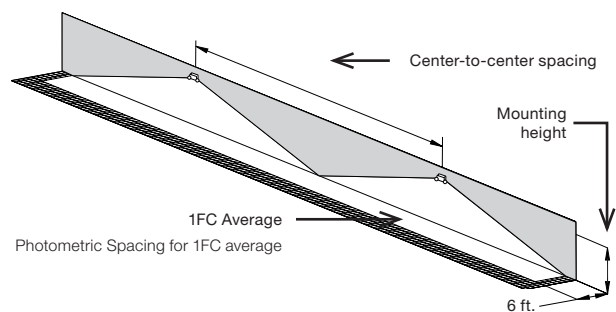
Photometry performance

Capable of being installed indoors or outdoors, the SPH Series LED emergency lights deliver a stable and consistent illumination on the path of egress for a wide range of mounting heights.

LED Head	Power	Total lumens	Outperform spacing of MR16 halogen lamp types
L15	15W	1300	50W MR16-IR Halogen

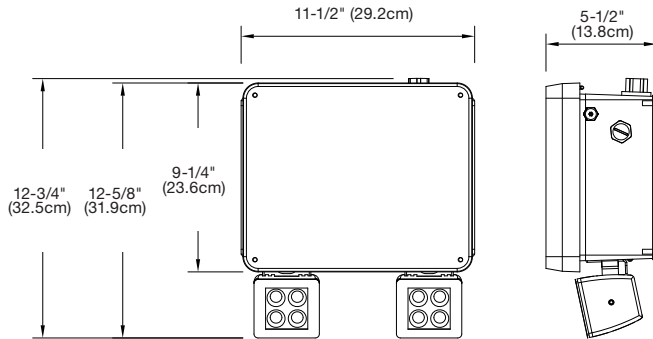
Spacing center-to-center (feet)

Mounting height	Lamp L15/15W, 1300Lm
10 ft	140'
15 ft	135'
20 ft	130'
25 ft	120'

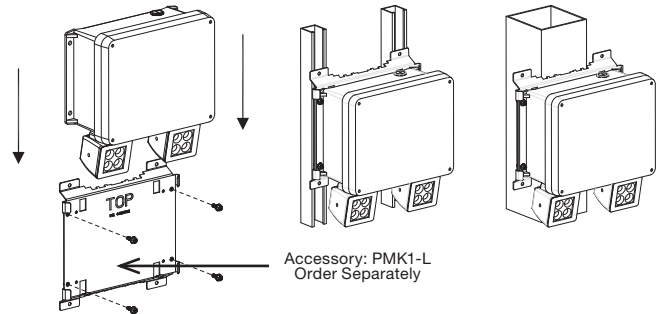


Industrial environment: Wall mounted equipment, reflectances: 10/10/10; 6-ft wide illumination path. Illumination as per NFPA101; Average: 1fc; Min: 0.1fc; Max/min < 40:1

Dimensions (Dimensions are approximate and subject to change)



PMK1-L Universal Mounting Bracket Installation



Warning: The mounting column must be anchored at both ends: floor and ceiling.

Power consumption chart: maximum current draw

Temperature	Specification
Standard temperature range	120/277VAC, 60Hz, 0.30/0.15A
Cold-weather option	120/277VAC, 60Hz, 0.70/0.35A

Unit rating chart

Series	Battery capacity in watts			
	90 minutes	2 Hrs	3 Hrs	4 Hrs
SPH12G3	30	20	15	10
SPH12G6	60	40	30	20
SPH12N4	40	36	24	18
SPH24N9	90	72	48	36

Note: the cold-weather option is only rated for 90 minutes.

Classification for hazardous locations

Lamp rating	Temperature code	Maximum temperature	Replacement part number
		Nickel-cadmium Ta= 104°F/40°C	Lead-acid Ta= 122°F/50°C
L15 (15W)	Class I Division 2 Groups A, B, C and D	T3C	T3A
	Class II Division 2 Groups F and G; Class III	T5	T5
	Class I Division 2 Groups A, B, C and D		T4A
No heads	Class II Division 2 Groups F and G; Class III		T6

Remote test control (included with unit)



Standard infrared remote test control included in all models: allow to test the equipment without need to climb a ladder. Functional up to 30 ft distance. Universal, one Remote Test Control may test all units on the job.

Ordering format

Series	Battery and Capacity	Number of heads	LED heads	Diagnostics	Option
SPH12	High Temperature Lead-Calcium G3= 12V-30W, High temperature Lead-Calcium battery, Temperature= 32°F to 122°F (0...50°C)	0= No head 1= One head 2= Two heads	L15= 12-24V, 15W (1300 Lumens)	Standard Diagnostic IDNA= Improved Diagnostics, non-audible ¹ Optional Diagnostic NID= No Improved Diagnostics, audible ¹ ID= Improved Diagnostics, audible ¹	CW4 = Cold-weather -40°F (-40°C) ¹ T3 = Time delay 15 minutes RFI = Radio frequency interference filter
	SPH12	G6= 12V-60W, High temperature Lead-Calcium battery, Temperature= 32°F to 122°F (0...50°C)		NEX = Nexus® Wired (contact your sales representative) ¹ NEXRF = Nexus® Wireless (contact your sales representative) ¹	
SPH24	Nickel-Cadmium N4= 12V-40W, Nickel-Cadmium battery, Temperature= 50°F to 104°F (10...40°C)				
SPH24	N9= 24V-90W, Nickel-Cadmium battery, Temperature= 50°F to 104°F (10...40°C)				

Example: SPH12N902LI5ID

¹ Minimum load required: 20% of load capacity