

Grande™ Compact Series

Thermoplastic housing 6V up to 60W & 12V up to 72W capacities



Grande™ Thermoplastic Family



Grande™
Exit series
PG. 34-35



Grande™
Combo series
PG. 36-37



Grande™
Battery series
PG. 82-83



ELF640 &
ELF650
Remote series
PG. 126-127

Housing

- White or black UV stabilized thermoplastic enclosure
- Clear polycarbonate lens covers
- Choice of MR16 LED lamp wattages

Mounting

- Wall mount
- Optional: ceiling mount and pendant mount
- Universal J-box mounting

Lamp type

- Two MR16 LED lamps

Electronics

- Pulse plus charger
- Low voltage disconnect
- Automatic brownout protection
- Battery lock-out
- Fused output circuit
- Optional: Improved Diagnostics
- Optional: Nexus® monitoring system
- 120/277 60hz

Choice of battery

- 6V or 12V Lead-calcium battery
- 6V or 12V Nickel-metal hydride

Approval

- UL 924 Standards
- UL 94-5VA flame rated thermoplastic house
- Damp location listed 50°F to 104°F (10°C to 40°C)

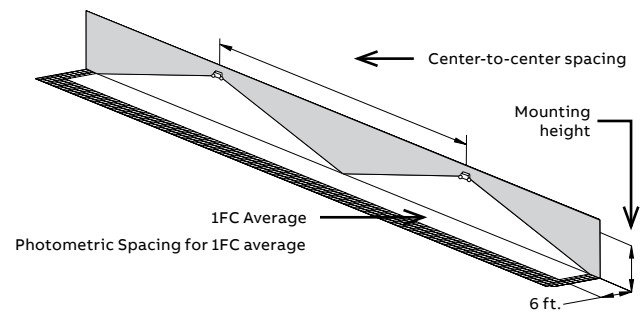
Warranty (subject to proper installation and maintenance)

- Unit has a five-year full warranty

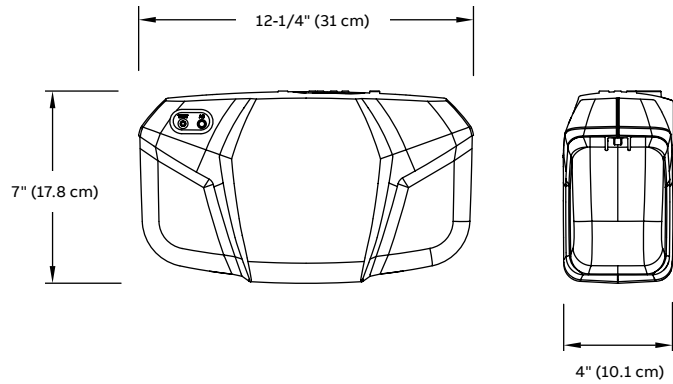
Detailed warranty terms located on [page 182](#) or online at: www.lightalarms.com

Photometric performance

Lamp	Spacing center-to-center (feet)	
	7 Feet Mounting height	15 Feet mounting height
LD1	39'	34'
LD7	49'	39'
LD9	68'	54'
LD10	89'	80'



Dimensions (Dimensions are approximate and subject to change)



Power consumption chart

Series	AC Specs		Battery	Voltage	DC Specs			
	AC input	Current draw			87.5% Battery capacity (in watts) ¹			
					90 Mins	2 Hrs	3 Hrs	4 Hrs
MGRA1	120/277	0.12 / 0.5A	Lead-Calcium	6V-10W	10W	7.5W	5W	3.3W
MGR12A1		0.20 / 0.09A		12V-12W	12W	9W	6W	4W
MGR12A2		0.20 / 0.09A		12V-20W	20W	15W	10W	6.5W
MGRH1		0.21 / 0.5A	Nickel-Metal Hydride	6V-12W	12W	9W	6W	4W
MGR12H1		0.12 / 0.5A		12V-12W	12W	9W	6W	4W
MGR12H2		0.12 / 0.5A		12V-24W	24W	18W	12W	8W

¹ National Electrical Code Specification

Ordering format

Number of heads	Series/Capacity	Lamp/Wattage	Housing color	Diagnostic	Options
Blank= No heads	MGRA1= 6V-10W Lead-Calcium	LD1= 6V-4W	M= Mist white	Blank= Standard	Blank = No option
2= Two heads	MGR12A1= 12V-12W Lead-Calcium	LD7= 12V-4W	B= Black	-ID= Improved Diagnostics (audible)	-CM = Ceiling mount
	MGR12A2= 12V-20W Lead-Calcium	LD9= 12V-5W		-IDNA= Improved Diagnostics (non audible)	-DL = Damp locations ¹
	MGRH1= 6V-12W Ni-MH	LD10= 12V-6W		-NEX= Nexus® wired compatible (consult your sales representative)	-LC = Line cord (120V only)
	MGR12H1= 12V-12W NiMH			-NEXRF= Nexus® wireless compatible (consult your sales representative)	-PM = Pendant mount ²
	MGR12H2= 12V-24W NiMH				-T3= Time delay (15 minute)
					ZU = 120/208/220-240V 50/60Hz input ³

Example: 2MGRA1LD1M

¹ Not available in MGRA1

² -PM Sold separately

³ Not available with -NEX and -NEXRF