

## Grande™ Compact Series

Thermoplastic housing 6V up to 12W & 12V up to 24W capacities



### Housing

- White or black UV stabilized thermoplastic enclosure
- Clear polycarbonate lens covers

### Mounting

- Wall mount  
Optional: ceiling mount and pendant mount
- Universal J-box mounting

### Lamp type

- Choice of MR16 LED lamp wattages

### Electronics

- Pulse plus charger
- Low voltage disconnect
- Automatic brownout protection
- Battery lock-out
- Fused output circuit
- Optional Improved Diagnostics
- Optional Nexus®Pro IoT monitoring system
- Optional Nexus® monitoring system
- 120/277 60Hz

### Photometric performance

Lamp	Spacing center-to-center (feet)	
	7 Feet Mounting height	15 Feet mounting height
LD1	39'	34'
LD2	74'	57'
LD7	49'	39'
LD9	68'	54'
LD10	89'	80'

### Grande™ Thermoplastic Family



Grande™ Exit series  
PG. 36-37

Grande™  
Combo series  
PG. 38-39

Grande™  
Battery series  
PG. 90-91

ELF640 &  
ELF650  
Remote series  
PG. 136-137

### Choice of battery

- 6V or 12V Lead-calcium battery
- 6V or 12V Nickel-metal hydride

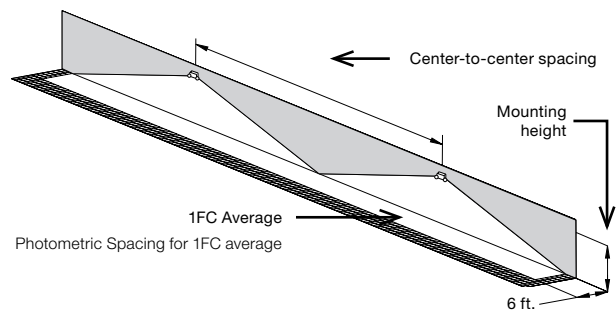
### Approval

- UL 924 Standards
- UL 94-5VA flame rated thermoplastic house
- Damp location listed 50°F to 104°F (10°C to 40°C)
- BC – California Energy Commission Title 20

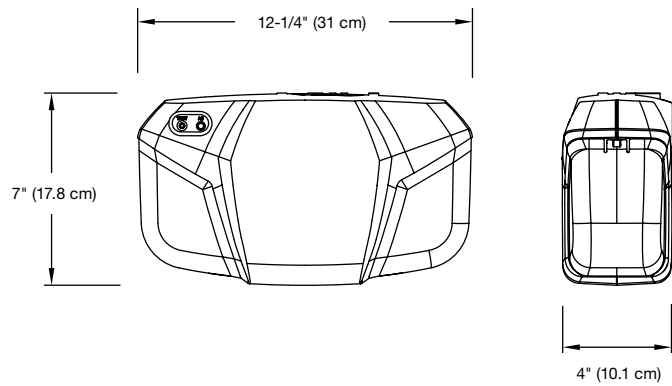
### Warranty (subject to proper installation and maintenance)

- Unit has a five-year full warranty

Detailed warranty terms located on [page 197](#) or online at: [www.lightalarms.com](http://www.lightalarms.com)



**Dimensions** (Dimensions are approximate and subject to change)



**Power consumption chart - Non-CEC models**

Series	AC Specs		Battery	Voltage	DC Specs			
	AC input	Current draw			87.5% Battery capacity (in watts) <sup>1</sup>			
					90 Mins	2 Hrs	3 Hrs	4 Hrs
MGRH1		0.21 / 0.5A		6V-12W	12W	9W	6W	4W
MGR12H1	120/277	0.12 / 0.5A	Nickel-Metal Hydride	12V-12W	12W	9W	6W	4W
MGR12H2		0.12 / 0.5A		12V-24W	24W	18W	12W	8W

<sup>1</sup> National Electrical Code Specification

**Power consumption chart - CEC models**

Series	AC Specs		Battery	Voltage	DC Specs			
	AC input	Current draw			87.5% Battery capacity (in watts) <sup>1</sup>			
					90 Mins	2 Hrs	3 Hrs	4 Hrs
MGRA1		0.12 / 0.5A		6V-10W	10W	7.5W	5W	3.3W
MGR12A1	120/277	0.20 / 0.09A	Lead-Calcium	12V-12W	12W	9W	6W	4W
MGR12A2		0.20/ 0.09A		12V-20W	20W	15W	10W	6.5W

<sup>1</sup> National Electrical Code Specification

**Ordering format**

Number of heads	Series/Capacity	Lamp/Wattage	Housing color	Diagnostic	Options	Approval
<b>Blank</b> = No heads	<b>MGRA1</b> = 6V-10W	<b>/LD1</b> = 6V-4W	<b>-M</b> = Mist white	<b>Blank</b> = Standard	<b>Blank</b> = No option	<b>-CEC</b> = CEC
<b>2</b> = Two heads	Lead-Calcium	<b>/LD2</b> = 6V-5W	<b>-B</b> = Black	<b>-ID</b> = Improved Diagnostics (audible)	<b>-CM</b> = Ceiling mount	Title 20 for California <sup>5</sup>
	<b>MGR12A1</b> = 12V-12W	<b>/LD7</b> = 12V-4W		<b>-IDNA</b> = Improved Diagnostics (non audible)	<b>-DL</b> = Damp locations <sup>2</sup>	
	Lead-Calcium	<b>/LD9</b> = 12V-5W		<b>-NEX</b> = Nexus <sup>®</sup> wired compatible <sup>1</sup>	<b>-LC</b> = Line cord (120V only)	
	<b>MGR12A2</b> = 12V-20W	<b>/LD10</b> = 12V-6W		<b>-NEXP</b> = Nexus <sup>®</sup> Pro IoT <sup>1</sup>	<b>-PM</b> = Pendant mount <sup>3</sup>	
	Lead-Calcium			<b>-NEXRF</b> = Nexus <sup>®</sup> wireless <sup>1</sup>	<b>-T3</b> = Time delay (15 minute)	
	<b>MGRH1</b> = 6V-12W Ni-MH				<b>-ZU</b> = 120/208/220-240V 50/60Hz input <sup>4</sup>	
	<b>MGR12H1</b> = 12V-12W NiMH					
	<b>MGR12H2</b> = 12V-24W NiMH					

**Example: 2MGRA1LD1M**

<sup>1</sup> Consult your sales representative  
<sup>2</sup> Not available in MGRA1  
<sup>3</sup> Pendant kit sold separately  
<sup>4</sup> Not available with -NEX and -NEXRF  
<sup>5</sup> Available with lead-calcium models only