

## Grande™ Compact Series

Thermoplastic housing 6V up to 12W & 12V up to 24W capacities



### Housing

- White or black UV stabilized thermoplastic enclosure
- Clear polycarbonate lens covers
- Choice of MR16 LED lamp wattages

### Mounting

- Wall mount  
Optional: ceiling mount and pendant mount
- Universal J-box mounting

### Lamp type

- Two MR16 LED lamps

### Electronics

- Pulse plus charger
- Low voltage disconnect
- Automatic brownout protection
- Battery lock-out
- Fused output circuit
- Optional: Improved Diagnostics
- Optional: Nexus® monitoring system
- 120/277 60Hz

### Photometric performance

Lamp	Spacing center-to-center (feet)	
	7 Feet Mounting height	15 Feet mounting height
LD1	39'	34'
LD7	49'	39'
LD9	68'	54'
LD10	89'	80'

### Grande™ Thermoplastic Family



Grande™ Exit series  
PG. 34-35

Grande™  
Combo series  
PG. 36-37

Grande™  
Battery series  
PG. 82-83

ELF640 &  
ELF650  
Remote series  
PG. 126-127

### Choice of battery

- 6V or 12V Lead-calcium battery
- 6V or 12V Nickel-metal hydride

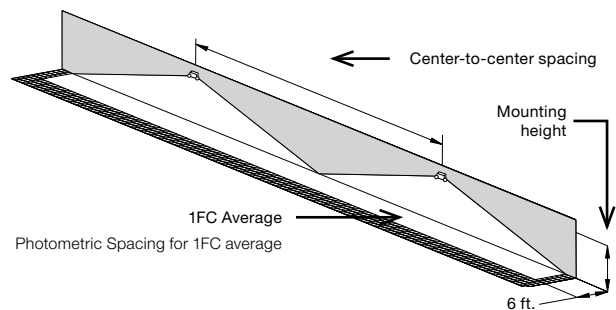
### Approval

- UL 924 Standards
- UL 94-5VA flame rated thermoplastic house
- Damp location listed 50°F to 104°F (10°C to 40°C)

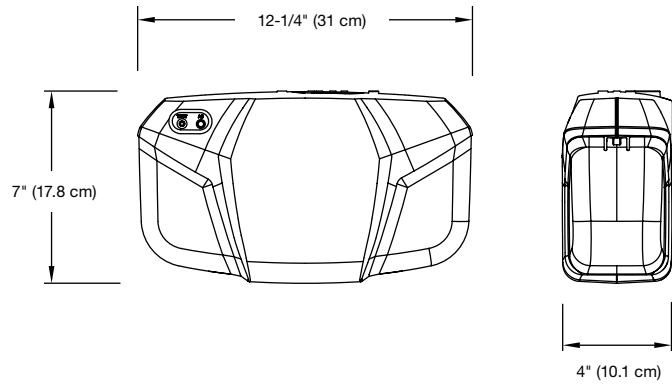
### Warranty (subject to proper installation and maintenance)

- Unit has a five-year full warranty

Detailed warranty terms located on [page 182](#) or online at: [www.lightalarms.com](http://www.lightalarms.com)



**Dimensions** (Dimensions are approximate and subject to change)



**Power consumption chart**

Series	AC Specs		Battery	Voltage	DC Specs			
	AC input	Current draw			87.5% Battery capacity (in watts) <sup>1</sup>			
					90 Mins	2 Hrs	3 Hrs	4 Hrs
MGRA1	120/277	0.12 / 0.5A	Lead-Calcium	6V-10W	10W	7.5W	5W	3.3W
MGR12A1		0.20 / 0.09A		12V-12W	12W	9W	6W	4W
MGR12A2		0.20 / 0.09A		12V-20W	20W	15W	10W	6.5W
MGRH1		0.21 / 0.5A	Nickel-Metal Hydride	6V-12W	12W	9W	6W	4W
MGR12H1		0.12 / 0.5A		12V-12W	12W	9W	6W	4W
MGR12H2		0.12 / 0.5A		12V-24W	24W	18W	12W	8W

<sup>1</sup> National Electrical Code Specification

**Ordering format**

Number of heads	Series/Capacity	Lamp/Wattage	Housing color	Diagnostic	Options
<b>Blank</b> = No heads	<b>MGRA1</b> = 6V-10W Lead-Calcium	<b>/LD1</b> = 6V-4W	<b>-M</b> = Mist white	<b>Blank</b> = Standard	<b>Blank</b> = No option
<b>2</b> = Two heads	<b>MGR12A1</b> = 12V-12W Lead-Calcium	<b>/LD7</b> = 12V-4W	<b>-B</b> = Black	<b>-ID</b> = Improved Diagnostics (audible)	<b>-CM</b> = Ceiling mount
	<b>MGR12A2</b> = 12V-20W Lead-Calcium	<b>/LD9</b> = 12V-5W		<b>-IDNA</b> = Improved Diagnostics (non audible)	<b>-DL</b> = Damp locations <sup>1</sup>
	<b>MGRH1</b> = 6V-12W Ni-MH	<b>/LD10</b> = 12V-6W		<b>-NEX</b> = Nexus <sup>®</sup> wired compatible (consult your sales representative)	<b>-LC</b> = Line cord (120V only)
	<b>MGR12H1</b> = 12V-12W NiMH			<b>-NEXRF</b> = Nexus <sup>®</sup> wireless compatible (consult your sales representative)	<b>-PM</b> = Pendant mount <sup>2</sup>
	<b>MGR12H2</b> = 12V-24W NiMH				<b>-T3</b> = Time delay (15 minute)
					<b>ZU</b> = 120/208/220-240V 50/60Hz input <sup>3</sup>

**Example: 2MGRA1LD1M**

<sup>1</sup> Not available in MGRA1

<sup>2</sup> -PM Sold separately

<sup>3</sup> Not available with -NEX and -NEXRF