



MG/MN-SP SERIES

Steel Housing 12V up to 40W Capacities Lead-Calcium or Nickel-Cadmium battery High Performance LED heads, suitable for NEMA 1 location



FEATURES

Housing

- 20 gauge steel housing with hinged front access panel
- Corrosion-resistant baked enamel gray finish standard
- Provision for mounting up to 2 lighting heads.
- 6W (L6 lamp suffix), 10W (L10 lamp suffix) and 15W (L15 lamp suffix) high efficacy LED emergency heads outperform traditional 50W MR16-IR Halogen
- Innovative head design: four-LED and dual-driver provide illumination even in case of unexpected component failure
- Die-Cast aluminum, LED heads

Mounting

- Wall Mount
- 1/2" conduit knock-outs, rear keyhole slots and universal knock-outs to mount to any standard 4" junction box

Electronics

- Automatic, temperature compensated, pulse-type charger
- High capacity, automatic, dust-tight instantaneous transfer relay
- Low voltage disconnect prevents over discharge of battery
- Automatic brownout protection is provided
- Battery lock-out prevents battery discharge during installation
- Fused output circuit

Improved Diagnostics option

- Units equipped with Improved Diagnostics shall self-test, by simulating a power failure, in accordance with NFPA101, Life Safety Code one minute monthly, 30 minutes every six months and 90 minutes annually.

NEXUS® option

- Units equipped with NEXUS® self-testing monitoring system circuitry shall self-test, in accordance with NFPA101 Life Safety Code for a minimum of 5 minutes monthly, 30 minutes every six months and 90 minutes annually as well as keep a history of all testing logs, plus feature real-time diagnoses, and provide the exact fixture location while notifying service personnel of the status of the fixture via email. For complete NEXUS®, information refer to www.lightalarms.com

Controls

- Red charger monitor LED indicates charging of the battery
- Amber AC-ON LED indicates AC power is on
- Momentary test switch allows for quick operational check of entire system

Choice of Sealed Maintenance-Free Battery

- 12V Lead-Calcium battery
- 12V Nickel-Cadmium battery

Approvals

- UL 924 Standard

Warranty (subject to proper installation and maintenance)

- Unit has a three year full warranty (excluding lamps and fuses)
- Lead-Calcium battery has a three year full, plus three year pro-rata warranty
- Nickel-Cadmium battery has a 5 year full, plus 5 year pro-rata warranty

ACCESSORIES (Order as a separate item)

Mounting Platform	MP-PQA
Wire Guard	WG10-L

SPECIFICATIONS

Supply and install Lightalarms® MG-SP Series.

The emergency lighting unit shall be a self-contained fixture including a sealed maintenance-free Lead-Calcium or Nickel-Cadmium battery of 12V, and wattage as specified in the unit rating chart. The unit shall supply the rated wattage load for a minimum of 90 minutes to 87-1/2% of rated battery voltage. The unit shall be rated 120/277VAC, 60Hz and be UL 924 listed.

The unit charger shall utilize an integrated circuit which samples the battery in relation to its temperature, state of charge and input voltage fluctuations. The charger shall be current limited, temperature compensated, short-circuit protected and reverse polarity protected. The unit shall be furnished with an electronic lockout circuit which will connect the battery when the AC circuit is activated, and an electronic brownout circuit which will activate the unit when utility power dips below 80-85% of nominal voltage. A low voltage battery protection circuit shall be provided and will disconnect the load and circuitry from the battery when it reaches 87-1/2% of its nominal voltage. The unit shall be capable of full recharge in compliance with UL 924 specifications. The unit shall be furnished with sealed dust-tight relay, a test switch and dual diagnostic LED indicator lights (hi-charge and AC pilot). The cabinet shall be 20 gauge steel with a front hinged panel. Unit shall have 1/2" conduit knock-outs, rear keyhole slots and universal knock-outs to mount to any standard 4" junction box with provision for mounting up to 2 heads front mounted to cabinet.

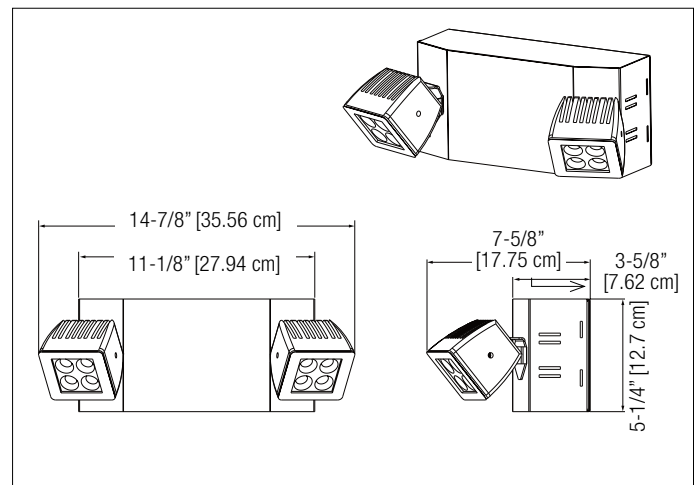
Units specified with Improved Diagnostics (audible or non-audible) will continuously monitor every critical function of the unit, attached remote lighting heads and/or attached AC/DC Exit Signs. Operational status of the battery, charger and lamps are indicated by individual LED status indicators. Once a malfunction is detected, if audible, a high-pitch audible alarm will sound, and the appropriate LED status indicator will illuminate alerting of the unit malfunction. If non-audible, only the LED status indicator will illuminate alerting of the unit malfunction. The microcontroller shall automatically self-test, by simulating a power failure, in accordance with NFPA101, Life Safety Code for one minute monthly, 30 minutes every six months and 90 minutes annually

Every MG/MN-SP Series unit shall be fully warranted for three years, subject to proper installation and maintenance.

Unit shall be Lightalarms® catalog number _____.

DIMENSIONS

Dimensions are approximate and subject to change.



TYPE _____
 CATALOG # _____

 NOTES _____

Incorporates a complete range of high performance and labor saving features normally found in higher voltage units



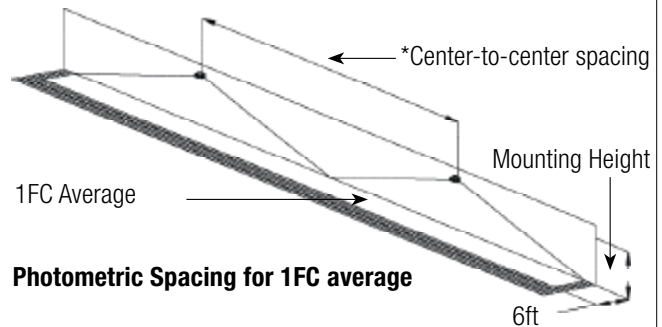
PHOTOMETRY PERFORMANCE

For NEMA 1 type application, the MG/MN-SP Series of LED emergency lights deliver a stable and consistent illumination on the path of egress for a wide range of mounting heights. Depending on the required illumination levels need for the application, one choose between three level of lumen output using a 6W, 10W or 15W head. See cross reference to traditional MR16 Halogen Emergency Lamps types.

LED HEAD	POWER	TOTAL LUMENS	OUT-PERFORM SPACING OF MR16 HALOGEN LAMP TYPES
L6	6W	565	37W PAR36, MR16 Halogen
L10	10W	1000	50W PAR36, MR16 Halogen
L15	15W	1300	50W MR16-IR Halogen

Industrial environment: wall mounted equipment, reflectances:
 10/10/10; 6-ft wide illumination path.
 Illumination as per NFPA101; Average: 1fc; Min: 0.1fc; Max/min < 40:1

SPACING CENTER-TO-CENTER (FEET)			
MOUNTING HEIGHT	LAMP L6 / 6W, 565LM	LAMP L10 / 10W, 1000LM	LAMP L15 / 15W, 1300LM
10 ft	80	110	140
15 ft	70	105	135
20 ft	60	100	130
25 ft	50	95	120



POWER CONSUMPTION / UNIT RATING CHART

SERIES	DC SPECS						AC SPECS	
	BATTERY TYPE	DC VOLTAGE	87.5% BATTERY CAPACITY (IN WATTS) ¹				UNITS DUAL VOLTAGE ²	CURRENT MAXIMUM
			90 MIN.	2 HRS.	3 HRS.	4 HRS.		
M12G1	Lead-Calcium	12V	36	25	20	14	120VAC / 277VAC	0.3A / 0.15A
M12N1	Nickel-Cadmium	12V	30	21	15	12		
M12N2		12V	40	36	25	18		

¹ National Electrical Code Specification
² All units 120/277 dual voltage, information based on wiring to specific voltage type

ORDERING FORMAT

# OF HEADS	SERIES/CAPACITY	HEAD STYLE	HOUSING COLOR	MOUNTING HEAD	OPTIONS
2= Two heads	Lead-Calcium battery M12G1SP= 12V-36W Nickel-Cadmium battery M12N1SP= 12V-30W M12N2SP= 12V-40W	/L6= 12V-6W (565 Lumens) /L10= 12V-10W (1000 Lumens) /L15= 12V-15W (1300 Lumens)	-G= Gray	FM= Front mount heads	Blank= No Options -ID= Improved Diagnostics (audible) ¹ -IDNA= Improved Diagnostics (non audible) ¹ -NEX= Nexus® Wired Compatible ² -NEXRF= Nexus® Wireless Compatible ² -T3= Time Delay (15 minute) -3CP= 120V Cord & Plug, 3 wire, 3ft long ³ -3CP277= 277V Cord & Plug, 3 wire, 3ft long ³

¹ -ID & -INDA include a time delay feature that can be enabled/disabled in the field or set by the factory by including -ID-TD* or -IDNA-TD*
² -NEX & -NEXRF is CSA-US approved only. Consult your sales representative
³ -3CP & -3CP277 custom lengths available. Consult your sales representative

EXAMPLE: 3M12G1SP/L15-G-FM-ID