

## LCAB-2SQLED Series

1W LED heads, thermoplastic 3.6V Nickel-Cadmium battery unit



### Housing

- UV stabilized thermoplastic body
- Two fully adjustable glare-free square lighting heads
- White finish

### Mounting

- Ceiling or wall mount
- Universal J-box mounting

### Lamp Type

Two 3.6V-1W LED heads total 200 lumens, CCT 6000K

### Options

Remote capacity for ELF612 or LCARDSQLED available with optional Improved Diagnostics

### Photometric performance

Lamp	Spacing center-to-center (feet)	
	7 feet mounting height	15 feet mounting height
LCAB	13'	4'
LCAR	13'	4'
ELF612	13'	4'

### Electronics

- Pulse plus charger
- Low voltage disconnect
- Automatic brownout protection
- Battery lock-out
- Fused output circuit
- Optional: Improved Diagnostics
- 120/277 60Hz

### Battery type

- 3.6V maintenance free rechargeable Nickel-Cadmium battery

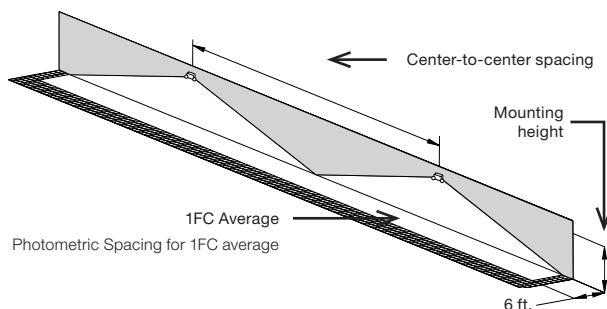
### Approvals

- UL 924 listed
- Damp location 50°F to 104°F (10°C to 40°C)
- UL 94, 5VA flame rated

**Warranty** (subject to proper installation and maintenance)

Three-year full warranty

Detailed warranty terms located on **page 182** or online at: [www.lightalarms.com](http://www.lightalarms.com)



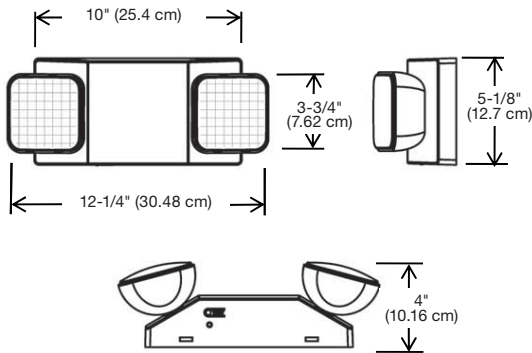
### Power consumption chart

Series	Battery	DC Specs		AC Specs
		Battery	Battery	Units dual voltage <sup>2</sup>
LCAB-2SQLED			3.6V	120/277, 60Hz, 0.024A
LCAB-2SQLEDR	Nickel-cadmium		3.6V	120/277, 60Hz, 0.028A
LCAB-2SQLEDRID			3.6V	120/277, 60Hz, 0.028A

<sup>1</sup> National Electrical Code Specification

<sup>2</sup> All units 120/277 dual voltage, information based on wiring to specific voltage type

**Dimensions** (Dimensions are approximate and subject to change)



**Accessories** (Order as a separate item)

Description	Product code
Wire Guard	WG10-L
Vandal Resistant Shield	CPS
Vandal Resistant Shield (NEMA-4X)	CPS-4X
Replacement battery LCAB-2SQLED	022433-L
Replacement battery LCAB-2SQLEDR & LCAB-2SQ-LEDRID	2 X 022433-L

**Ordering format – LCAB-2SQLED Thermoplastic battery unit Series**

Series	Head style / Lamp type	Options
LCAB	2SQLED	<b>Blank</b> = No remote capacity <b>R</b> = 3W Remote capacity <sup>1</sup> <b>RID</b> = 3W Remote capacity and Improved Diagnostics <sup>1</sup>

**Example: LCAB2SQLEDRID**

<sup>1</sup> To be used with the LCARDSQLED or ELF612D/LED remote only

### LCARDSQLED Series

Thermoplastic square LED indoor remote heads



**Housing**

- Thermoplastic dual head remote
- Wall or ceiling mount

**Lamp information**

- LED 3.6V, 2W total
- 6000K LED color temperature

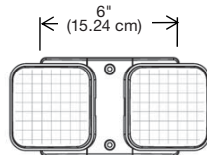
**Approvals**

- Damp location listed
- UL924 Listed

**Warranty** (subject to proper installation and maintenance)

Three-year full warranty

**Dimensions**



**Ordering format – LCARDSQLED Series**

Series	Head style / Lamp type	Options
LCAR	D= Double	SQLED= Thermoplastic square LED head

**Example: LCARDSQLED**

### ELF612D/LED Series

Thermoplastic square LED outdoor remote heads



**Housing**

- ELF612D/LED remote series is multi-volt 3.6, 6 or 12V, 3W total
- Thermoplastic housing and aluminum canopy with fully adjustable LED heads
- Suitable for outdoor application
- Suitable for wet location applications
- Wall or ceiling mount
- Available only in gray double head configuration

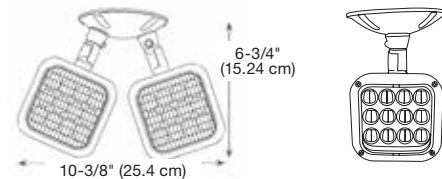
**Approvals**

- UL924 Listed

**Warranty** (subject to proper installation and maintenance)

Three-year full warranty

**Dimensions**



**Ordering format – ELF612D/LED Series**

Series	Options
ELF612D= Double	LED= Thermoplastic square LED head
ELF612= Single	

**Example: ELF612D/LED**