



LCAB-2SQLED SERIES

1W LED Heads, Thermoplastic
3.6V Nickel-Cadmium Battery Unit

TYPE _____

CATALOG # _____

NOTES _____



FEATURES

Housing

- Injection-molded, UV stabilized Thermoplastic body, snap-together design
- Two fully adjustable glare-free square lighting heads
- Mist white finish, corrosion and scratch-resistant thermoplastic

Mounting

- Ceiling or Wall Mount
- Keyhole slots and universal knock-outs to mount to any standard 4" junction box

Lamp Type

- Two 3.6V-1W LED heads total 200 lumens, CCT 6000K

Options

- Remote capacity for ELF612/LED or LCARDSQLED available with optional Improved Diagnostics

Electronics

- Automatic, temperature-compensated, charger
- High capacity, automatic, dust-tight instantaneous transfer relay
- Low voltage disconnect prevents over discharge of battery
- Automatic brownout protection is provided
- Battery lock-out prevents battery discharge during installation

Controls

- Red charger monitor LED indicates charging of the battery
- Momentary test switch allows for quick operational check of entire system.

Battery

- 3.6V maintenance free rechargeable Nickel-Cadmium battery

Approvals

- UL 924 Standards
- UL 94, 5VA flame rated
- Damp Location listed

Warranty (subject to proper installation and maintenance)

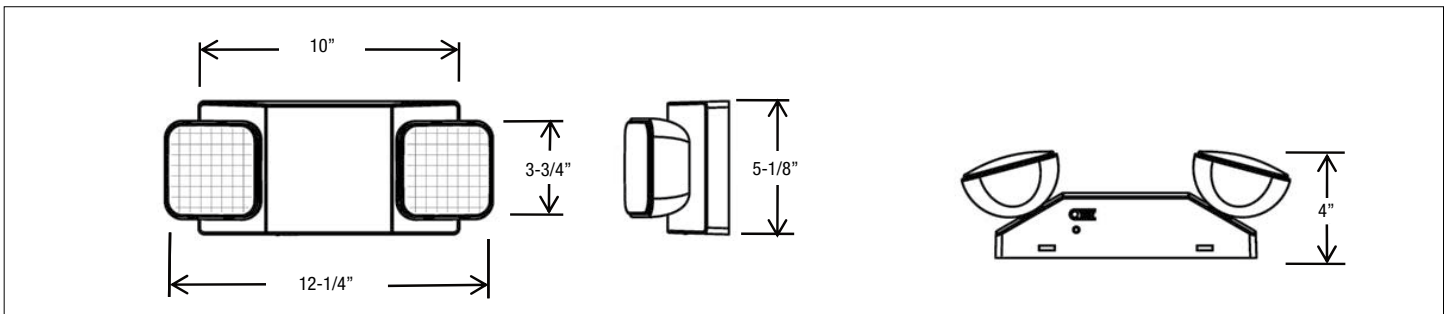
- Unit has a three year full warranty
- Detailed warranty terms located at: <http://www.lightalarms.com>

ACCESSORIES (Order as a separate item)

Wire Guard	WG10-L
Vandal Resistant Shield	CPS
Vandal Resistant Shield (NEMA-4X)	CPS-4X
Replacement battery LCAB-2SQLED	022433-L
Replacement battery LCAB-2SQLEDR & LCAB-2SQ-LEDRID	2 X 022433-L

DIMENSIONS

Dimensions are approximate and subject to change.



SPECIFICATIONS

Supply and install **Lightalarms® LCAB-2SQLED Series**.

The emergency lighting unit shall be a self-contained fixture including a sealed maintenance-free Nickel-Cadmium battery. The unit shall supply the rated wattage load for a minimum of 90 minutes to 87-1/2% of rated battery voltage. The unit shall be rated 120/277VAC, 60Hz, UL 924 and Damp location listed standard.

The unit charger shall utilize an integrated circuit which samples the battery in relation to temperature, state of charge and input voltage fluctuations. The charger shall be current limited, temperature compensated, short-circuit protected and reverse polarity protected. The unit shall be furnished with an electronic lockout circuit which will connect the battery when the AC circuit is activated, and an electronic brownout circuit which will activate the unit when utility power dips below 80-85% of nominal voltage. A low voltage battery protection circuit shall be provided and will disconnect the load and circuitry from the battery when it reaches 87-1/2% of its nominal voltage. The unit shall be capable of full recharge in compliance with UL924 specifications. The unit shall be furnished with sealed dust-tight relay, red charger monitor LED indicating charging of the battery and push test switch allows for quick operational check of entire system. The cabinet shall be injection-molded, UV stabilized Thermoplastic body, snap together design with two fully adjustable lighting heads being corrosion and scratch-resistant in a mist white color.

LCAB-2SQLED model: shall include (2) 3.6V-1W LED heads and offer no extra battery capacity.

LCAB-2SQLEDR model: shall include (2) 3.6V-1W LED heads and offer 3.6V-3W of remote capability.

LCAB-2SQLEDRID model: shall include (2) 3.6V-1W LED heads and offer 3.6V-3W of remote capability with improved diagnostics.

LCAB-2SQLEDRID model: shall include (2) 3.6V-1W LED heads and offer 3.6V-3W of remote capability with improved diagnostics.

When specified, with Improved Diagnostics (-ID) shall include a self-test and silent diagnostic function managed by a micro-controller; it shall execute automatic tests for one minute every 30 days, 30 minutes every 60 days and 90 minutes annually. A diagnostic circuit shall continuously monitor the performance of the battery, charger module and LED lamps. When a fault is detected, the pilot light shall change color from green to red and flash with a specific code. The red light is steady-on in case of a battery disconnect; it will flash with one blink for battery failure; two blinks for charger failure and four blinks for LED lamp failure. A label with the diagnostic legend shall be visible next to the pilot light.

Every **LCAB-2SQLED Series** unit shall be fully warranted for three years, subject to proper installation and maintenance.

Unit shall be **Lightalarms®** catalog number _____.



TYPE _____

CATALOG # _____

NOTES _____

LCAB-2SQLED SERIES

1W LED Heads, Thermoplastic
3.6V Nickel-Cadmium Battery Unit



POWER CONSUMPTION / UNIT RATING CHART

SERIES	DC SPECS		AC SPECS
	BATTERY TYPE	DC VOLTAGE	UNITS DUAL VOLTAGE ²
LCAB-2SQLED	Nickel-Cadmium	3.6V	120/277, 60Hz, 0.024A
LCAB-2SQLEDR		3.6V	120/277, 60Hz, 0.028A
LCAB-2SQLEDRID		3.6V	120/277, 60Hz, 0.028A

¹ National Electrical Code Specification ² All units 120/277 dual voltage, information based on wiring to specific voltage type

ORDERING FORMAT

Thermoplastic Square LED Battery Unit

SERIES	HEAD STYLE/LAMP TYPE	OPTIONS
LCAB	2SQLED	Blank = No Remote Capacity R = 3W Remote Capacity ¹ RID = 3W Remote Capacity and Improved Diagnostic ¹ ¹ To be used with the LCARDSQLED or ELF612D/LED remote only.

EXAMPLE: LCAB2SQLEDRID



LCARDSQLED SERIES

Thermoplastic Square LED
Indoor Remote Heads



FEATURES

Housing

- Thermoplastic dual head remote
- Wall or ceiling mount

Lamp Information

- LED 3.6V, 2W total
- 6000K LED color temperature

Approvals

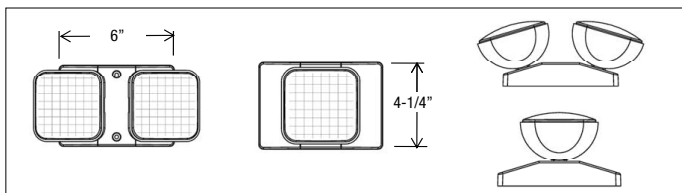
- Damp Location listed
- UL924 Listed

Warranty

- Three Year full warranty (subject to proper installation and maintenance)
- Detailed warranty terms located at: www.lightalarms.com

DIMENSIONS

Dimensions are approximate and subject to change.



ORDERING FORMAT

SERIES	NO. OF LAMPS	HEAD TYPE
LCAR	D= Double	SQLED= Thermoplastic Square LED head

EXAMPLE: LCARDSQLED



ELF612D/LED SERIES

Thermoplastic Square LED
Outdoor Remote Heads



FEATURES

Housing

- ELF612D/LED remote series is multi-volt 3.6, 6 or 12V, 3W total
- Thermoplastic housing and aluminum canopy with fully adjustable LED heads
- Suitable for outdoor application
- Suitable for Wet location applications
- Wall or ceiling mount
- Available only in Gray double head configuration

Approvals

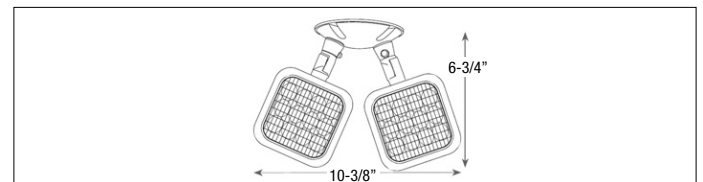
- UL 924 Listed

Warranty

- Three Year full warranty (subject to proper installation and maintenance)
- Detailed warranty terms located at: www.lightalarms.com

DIMENSIONS

Dimensions are approximate and subject to change.



ORDERING FORMAT

SERIES	HEAD TYPE
ELF612D	/LED= Thermoplastic Square LED head

EXAMPLE: ELF612D/LED