

TYPE \_\_\_\_\_  
 CATALOG # \_\_\_\_\_  
 \_\_\_\_\_  
 NOTES \_\_\_\_\_  
 \_\_\_\_\_

## SPR SERIES REMOTE FIXTURE

NEMA-4X, High-Performance Remote for  
Indoor or Outdoor Applications



### FEATURES

#### Housing

- Die-Cast gray housing and heads designed for heavy-duty industrial applications: indoors, outdoors, hose-down areas, cold-storage facilities, etc
- NEMA-4X protection grade against liquids and windblown dust
- All external fasteners and hardware are constructed of stainless steel

#### Mounting

- Can be installed in wide temperature range: -40°F to 131°F (-40°C to 55°C)
- Simple and easy to install on walls, poles, columns, struts, also on vertical position for poles or columns by using mounting bracket (order separately catalog number: PMK1-L)
- May be wired from top or side (see dimensions for position) using conduit (1/2" NPT)

#### Performance

- 10W (L10 lamp suffix) and 15W (L15 lamp suffix) high-efficacy LED emergency heads outperform traditional 50W MR16-IR Halogen
- Innovative head design: four-LED and dual-driver provide illumination even in case of unexpected component failure

#### Approval

- UL924 Listed

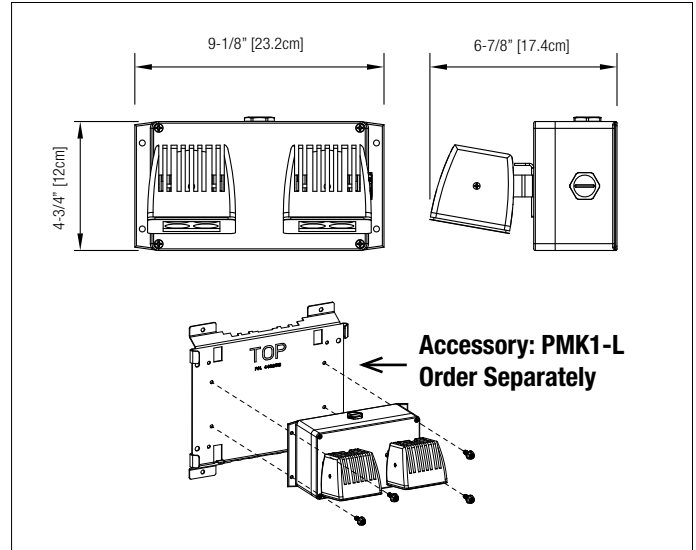
#### Warranty (subject to proper installation and maintenance)

- Unit has a five year limited warranty

Detailed warranty terms located at: <http://www.lightalarms.com>

### DIMENSIONS

Dimensions are approximate and subject to change.



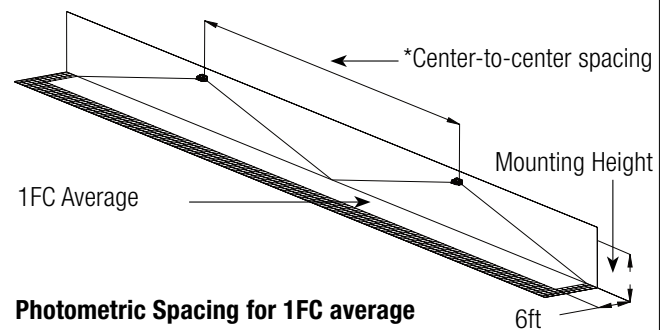
### PHOTOMETRY PERFORMANCE

Capable of being installed indoors or outdoors, the SP Series of LED emergency lights deliver a stable and consistent illumination on the path of egress for a wide range of mounting heights. Depending on the required illumination levels need for the application, one choose between three level of lumen output using a 6W, 10W or 15W head. See cross reference to traditional MR16 Halogen Emergency Lamps types.

LED HEAD	POWER	TOTAL LUMENS	OUT-PERFORM SPACING OF MR16 HALOGEN LAMP TYPES
L6	6W	565	37W PAR36, MR16 Halogen (700 Lumens)
L10	10W	1000	50W PAR36, MR16 Halogen (950 Lumens)
L15	15W	1300	50W MR16-IR Halogen (1550 Lumens)

Industrial environment: wall mounted equipment, reflectances: 10/10/10; 6-ft wide illumination path.  
 Illumination as per NFPA101; Average: 1fc; Min: 0.1fc; Max/min < 40:1

SPACING CENTER-TO-CENTER (FEET)			
MOUNTING HEIGHT	LAMP L6 / 6W, 565LM	LAMP L10 / 10W, 1000LM	LAMP L15 / 15W, 1300LM
10 ft	80*	110*	140*
15 ft	70*	105*	135*
20 ft	60*	100*	130*
25 ft	50*	95*	120*



### ORDERING FORMAT

SERIES	NUMBER OF HEADS	LED HEAD
SPR= Severe Performance Remote	D= Double head	L6= 12-24V – 6W (565 Lumens) L10= 12-24V – 10W (1000 Lumens) L15= 12-24V – 15W (1300 Lumens)

EXAMPLE: SPRDL6