

SP Series

NEMA-4X, Severe-performance industrial battery unit for indoor or outdoor applications



Housing

- Compact gray fiberglass housing with captive screws
- NEMA-4X rated
- All external fasteners and hardware are constructed of stainless steel
- Die-cast aluminum LED heads

Mounting

- Simple and easy to install on walls, poles, columns, struts also on vertical
- Pole or column installation bracket sold separately (order catalog number: PMK1-L)
- ½ NPT conduit entry on top or side

Performance

- High temperature Lead-Calcium battery operates 32°F to 122°F (0°C to 50°C) and Nickel-Cadmium battery operates 50°F to 104°F (10°C to 40°C) ; optional cold-weather -40°F to 122°F (-40°C to 50°C)

- 6W, 10W and 15W high efficacy LED emergency heads outperform traditional 50W MR16-IR Halogen
- Innovative head design: four-LED and dual- driver provide illumination even in case of unexpected component failure

Electronics

- Infra-red remote control included in all models: allows testing the equipment without the need to climb a ladder. Distance range up to 30 ft. Universal, one remote control may test all the units on the job
- Pulse plus charger
- Low voltage disconnect
- Automatic brownout protection
- Battery lock-out
- Fused output circuit
- Standard Improved Diagnostics (non-audible)
- Optional: Nexus® monitoring system
- 120/277 60Hz

Approvals

UL 924 Listed

Warranty (subject to proper installation and maintenance)

Unit: five-year limited warranty

Detailed warranty terms located on [page 182](#) or online at: www.lightalarms.com



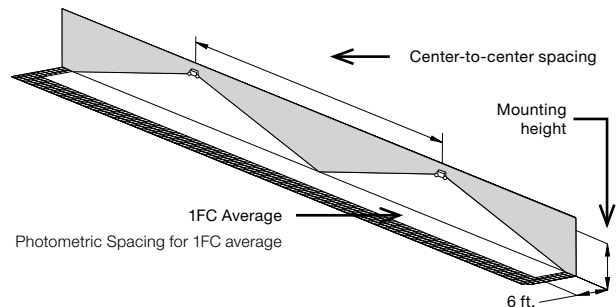
Photometry performance

Capable of being installed indoors or outdoors, the SP Series LED emergency lights deliver a stable and consistent illumination on the path of egress for a wide range of mounting heights. Depending on the required illumination levels need for the application, choose between three level of lumen output using a 6W, 10W or 15W head.

LED Head	Power	Total lumens	Outperform spacing of MR16 halogen lamp types
L6	6W	565	37W PAR36, MR16 Halogen (700 Lumens)
L10	10W	1000	50W PAR36, MR16 Halogen (950 Lumens)
L15	15W	1300	50W MR16-IR Halogen (1550 Lumens)

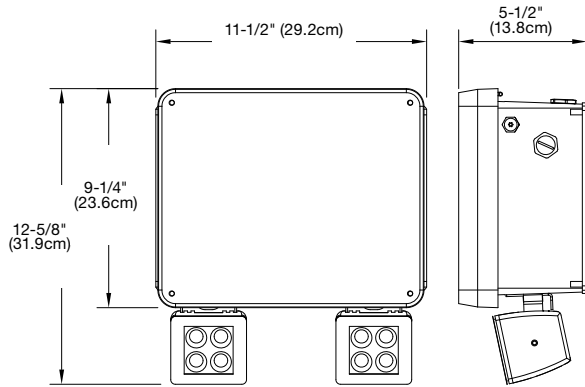
Spacing center-to-center (feet)

Mounting height	Lamp L6/6W, 565Lm	Lamp L10/10W, 1000Lm	Lamp L15/15W, 1300Lm
10 ft	80'	110'	140'
15 ft	70'	105'	135'
20 ft	60'	100'	130'
25 ft	50'	95'	120'

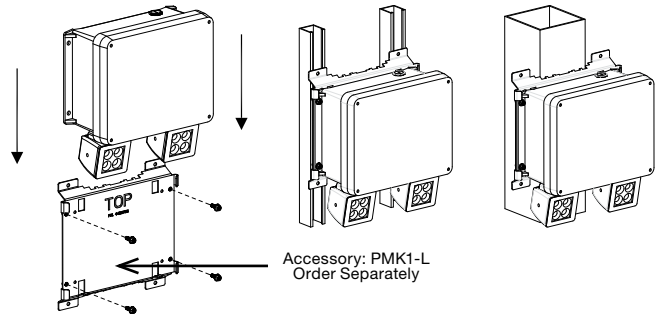


Industrial environment: Wall mounted equipment, reflectances: 10/10/10; 6-ft wide illumination path. Illumination as per NFPA101; Average: 1fc; Min: 0.1fc; Max/min < 40:1

Dimensions (Dimensions are approximate and subject to change)



PMK1-L Universal Mounting Bracket Installation



Power consumption chart

Temperature	Specification
Standard temperature range	120/277VAC, 60Hz, 0.30/0.15A
Cold-weather option	120/277VAC, 60Hz, 0.70/0.35A

Remote test control (included with unit)



Standard infrared remote test control included in all models: allow to test the equipment without need to climb a ladder. Functional up to 30 ft distance. Universal, one Remote Test Control may test all units on the job

Unit rating chart

Series	DC Specs (87.5% battery capacity in watts)			
	90 minutes	2 Hrs	3 Hrs	4 Hrs
SP12G3	30	20	15	10
SP12G6	60	40	30	20
SP12N4	40	36	24	18
SP24N9	90	71	48	36

Note: the cold-weather option is only rated for 90 minutes.

Ordering format

Series	Battery and capacity	Number of heads	LED heads ¹	Diagnostics	Option
SP12	High Temperature Lead-Calcium	0= No head 1= One head 2= Two heads	L6= 12-24V, 6W (565 Lumens) L10= 12-24V, 10W (1000 Lumens) L15= 12-24V, 15W (1300 Lumens)	Standard Diagnostic IDNA= Improved Diagnostics, non-audible Optional Diagnostic ID= Improved Diagnostics, audible	CW4= Cold-weather -40°F (-40°C) ² T3= Time delay 15 minutes RFI= Radio frequency interference filter
SP12	G3= 12V-30W, High temperature Lead-Calcium battery, Temperature= 32°F to 122°F (0...50°C)			NEX= Nexus® Wired (contact your sales representative) NEXRF= Nexus® Wireless (contact your sales representative)	
SP12	G6= 12V-60W, High temperature Lead-Calcium battery, Temperature= 32°F to 122°F (0...50°C)				
SP12	Nickel-Cadmium N4= 12V-40W, Nickel-Cadmium battery, Temperature= 50°F to 104°F (10...40°C)				
SP24	N9= 24V-90W, Nickel-Cadmium battery, Temperature= 50°F to 104°F (10...40°C)				

Example: SP12N42L6IDNARFI

¹ For total Unit battery draw multiple head number by wattage
² Only available on 12V Models