

Recessed and Surface Mount LED EXIT Sign

Not intended for closed ceilings. Ex. sheetrock, plaster, etc.

AC and Self-Powered models

WARNING:
Risk of Shock.
Disconnect Power before Installation.

IMPORTANT SAFEGUARDS

When using electrical equipment, basic safety precautions should always be followed including the following:

READ AND FOLLOW ALL SAFETY INSTRUCTIONS

1. All servicing should be performed by qualified service personnel.
2. Do not use outdoors.
3. Do not let power supply cords touch hot surfaces.
4. Do not mount near gas or electric heaters.
5. Equipment should be mounted in locations and at heights where it will not readily be subjected to tampering by unauthorized personnel.
6. The use of accessory equipment not recommended by the manufacturer may cause an unsafe condition.
7. Do not use this equipment for other than intended use.
8. Use caution when handling batteries. Battery acid can cause burns to the skin and eyes. If acid is spilled on the skin or eyes, flush acid with fresh water and contact a physician immediately. Avoid possible shorting.
9. Allow battery to charge for 24 hours before first use.

SAVE THESE INSTRUCTIONS

Important: This sign shall be installed only where there is adequate colour contrast between the sign legend and the interior wall finish behind the sign, to provide for sufficient visibility.

Installation Instructions

Turn off AC power.

Recessed Ceiling Mounting

1. Refer to assembly drawing before you start installation (see figure 8).
2. Remove the front cover from the main frame by gently prying it open with a screwdriver then connect the battery connectors together.
3. Feed AC supply wires out of the main frame, then reinstall the front cover.
4. Remove 1 screw (PB3*12) from the top of the left and right end caps (see figure 2).
5. Mount the left bar hanger bracket onto the left end cap and screw it in with screws (PB3*15 and TM4*8), (do not pass the wires through this bracket) (see figure 3a).
6. Mount the right bar hanger bracket onto the right end cap and screw it in with screw (PB3*15 and plastic rivet), (pass the wires through this bracket) (see figure 3a).
7. Remove j-box cover and mount j-box case onto the main frame using the 2 screws (TM4*8). Feed AC supply wires into the j-box.

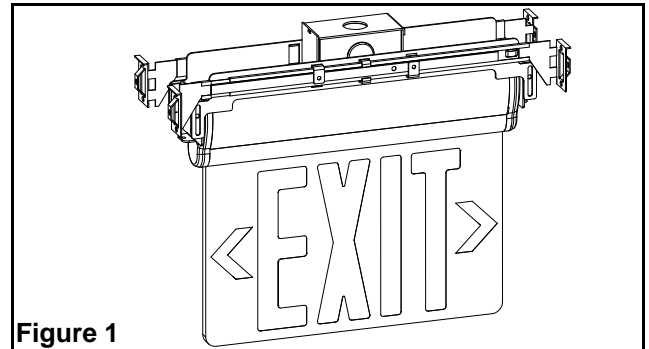


Figure 1

Package Contents

- | | |
|---------------------------------------|---|
| 1. LED Edge-Lit EXIT Sign. | 4. Canopy |
| 2. Adjustable Bracket and Bar hanger. | 5. Mirror Film (Converts double face to single face.) |
| 3. Hardware Bag. | |

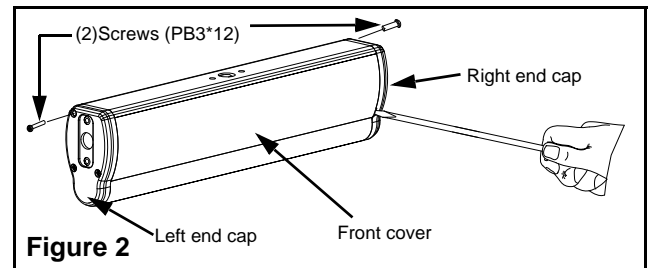


Figure 2

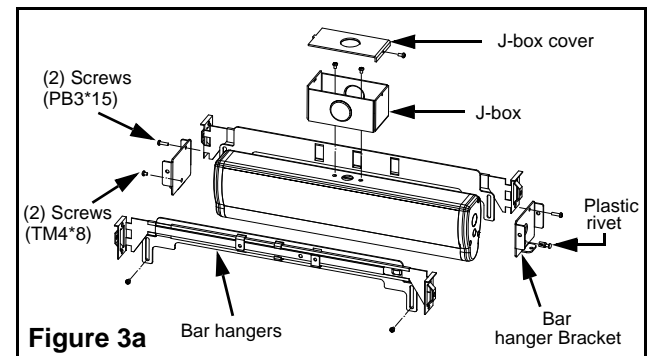


Figure 3a

8. Mount bar hangers onto the bar hanger brackets with 4 screws (TM4*8) (see figure 3a or 3b depending on bar hanger configuration).
 9. Make sure bar hangers are oriented in the correct position. Bar hangers should be level with bottom of T-bar (see figure 4). Note: when mounting onto a T-bar the bar hanger will need to be screwed into the T-bar with 4 self-drilling screw (not supplied) as shown in figure 8.
 10. Adjust height of bracket vertically using adjusting slots and tighten all screws on adjusting slots and bar hanger bracket to secure bar hanger bracket and bar hanger.
 11. Make the proper connections (see figure 5):
 - a. For 120VAC, connect the black and white wires to the building utility.
 - b. For 277VAC, connect the orange and white wires to the building utility.
 - c. Connect the green ground wire to the ground.
 - d. Cap unused wires. In all cases, use suitable wire nuts rated for the applicable voltage to connect to wires.
- Self-powered models:**
Be sure to snap the battery connector to the inverter PCB.
12. Connect the test switch connector and insert the LED indicator into the trim plate, (Self-power models only) then secure the trim plate by using the provided screws (see figure 6).
 13. Insert EXIT panel into main body assembly gently. If EXIT panel is for a single face, make sure EXIT letter direction is correct (see figure 7).
 14. Determine chevron placement: (see figure 9)
 - a. If a chevron is needed leave the chevron on and remove only the film instruction.
 - b. If no chevron is needed remove the chevron and film instructions together.
 15. This unit can be mounted on any flat surface. The Exit panel can be rotated in any angle from 0° to 180° (see figure 10).

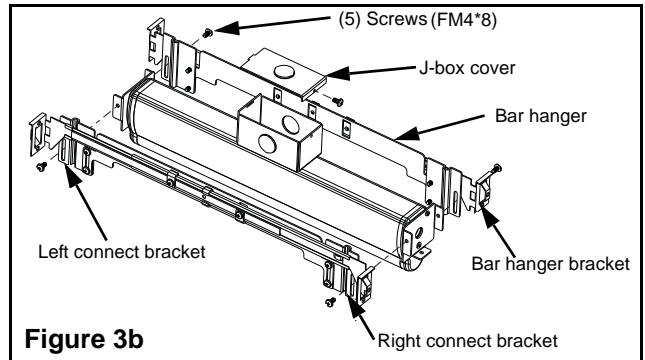


Figure 3b

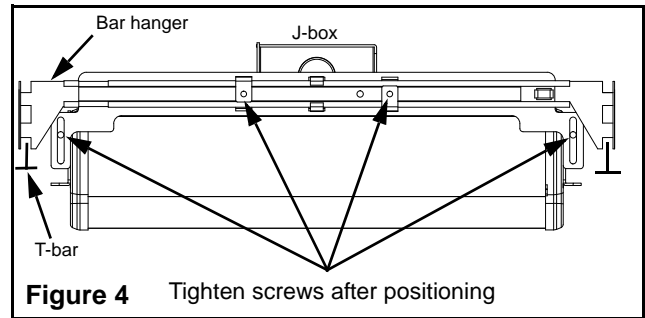


Figure 4 Tighten screws after positioning

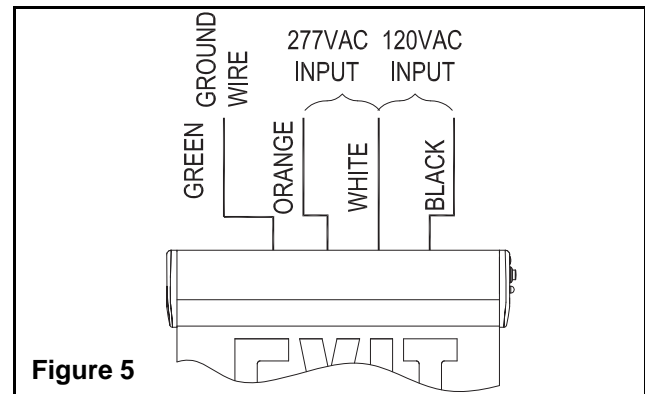


Figure 5

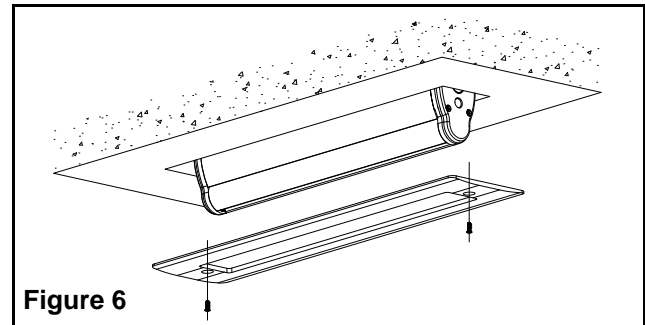


Figure 6

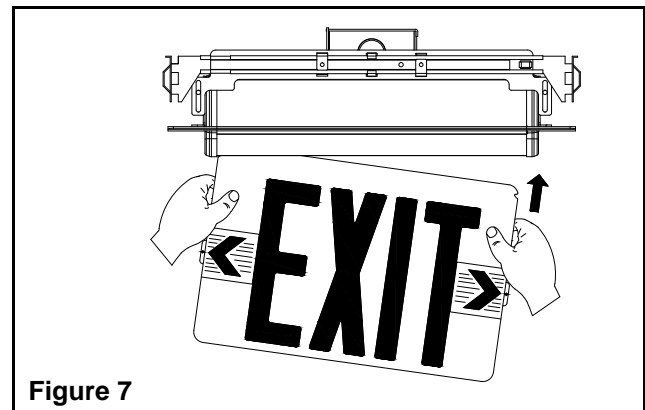


Figure 7

Recessed Ceiling and Wall Mount Assemble

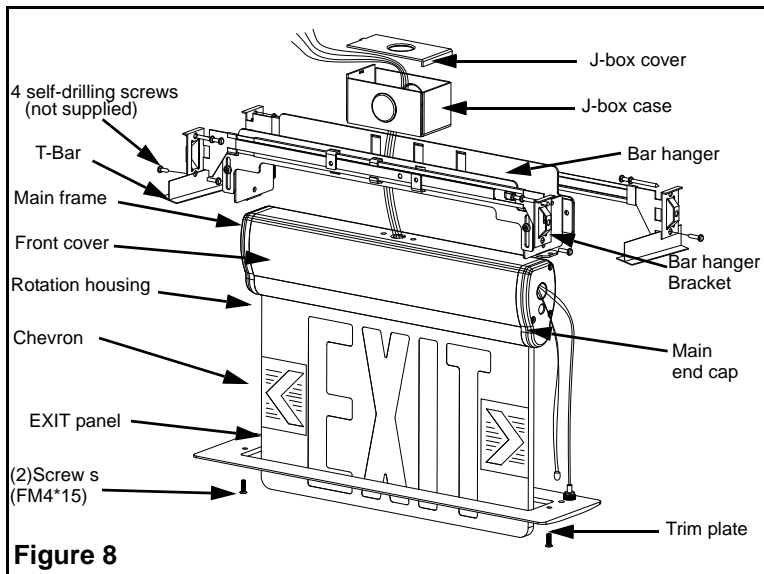


Figure 8

Surface Ceiling & Wall mounting

1. Attach the crossbar to the junction box with screws (not provided).
2. Feed AC supply wires through canopy center hole.
3. Assemble canopy onto main body assembly with 2 screws PM4"15 (supplied) and make the proper wire connections. (See #11 fig.5 of the Recessed Ceiling Mount).
4. Use 2 screws PM4-40 (supplied) to tighten canopy to the crossbar (see figure 10).
5. Insert EXIT panel into main body assembly gently. If EXIT panel is for a single face, make sure EXIT letter direction is correct (see figure 7).
6. Determine chevron placement: (see figure 9)
 - a. If a chevron is needed leave the chevron on and remove only the film instruction.
 - b. If no chevron is needed remove the chevron and film instructions together.
7. This unit can be mounted on any flat surface. The Exit panel can be rotated in any angle from 0° to 180° (see figure 11).



Figure 9

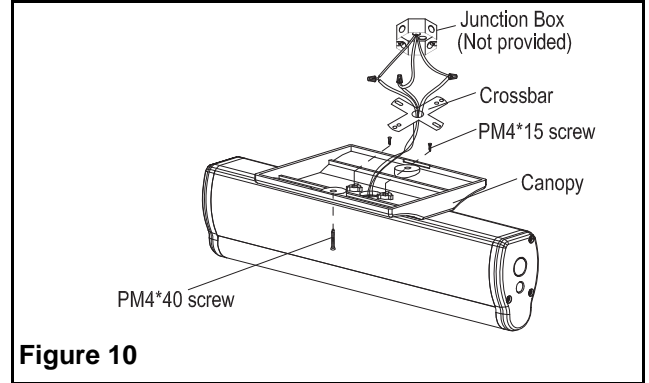


Figure 10

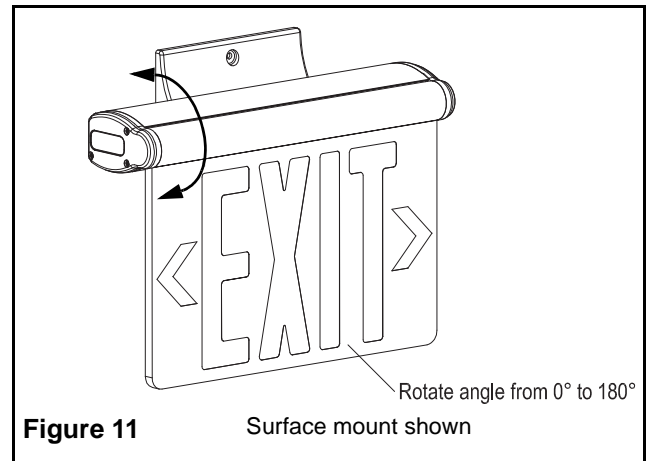


Figure 11

Surface mount shown

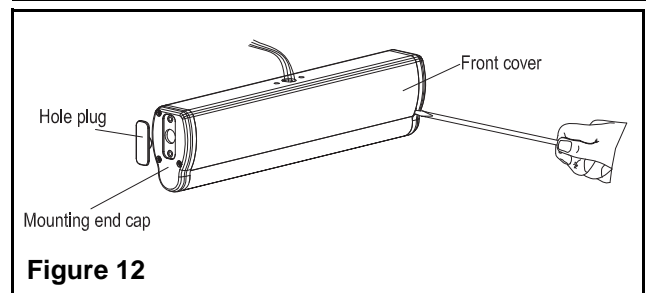


Figure 12

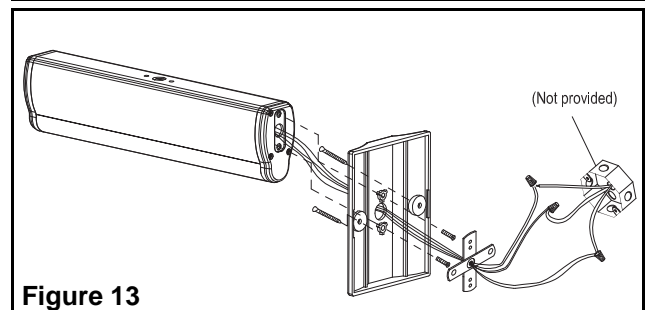


Figure 13

Surface End Mount

1. Attach crossbar to junction box with screws (not provided).
2. Remove the front cover gently by prying it open with a screwdriver then remove the hole plug from the slots or mounting end cap.
3. Pull out all AC supply wires and feed wires through the center hole of mounting end cap and then canopy.
4. Refer to steps 3,4,5 and 6 in surface ceiling & wall mounting above for surface end mounting.
5. This unit can be mounted on any flat surface. The EXIT panel can be rotated in any angle from 0° to 180° (see figure 11).

Surface End Mount Assembly

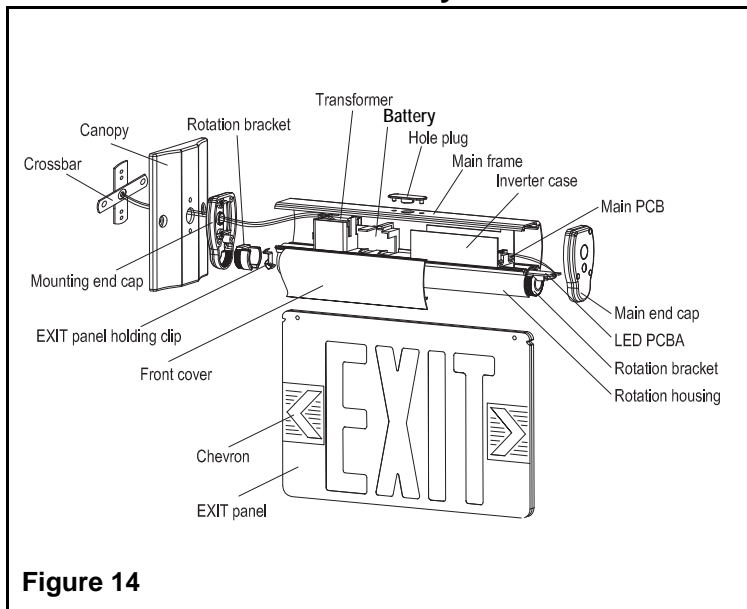


Figure 14

