

Simplicity™ Universal Edge-Lit Series

Single and double face, surface and recessed* mount edge-lit exit sign



Construction

- High grade acrylic panel
- 6 inch EXIT lettering legend, available in red or green
- Field-selectable chevrons
- Satin aluminum housing

Mounting

- Universal mount model
- Double face acrylic panel with mirror background, field adaptable for single face
- Pivoting panel design allows for recessed, surface, wall or ceiling mount installation
- A ratcheting mechanism allows the panel to be set in place from 0° to 180° for wall or sloped ceiling mounting
- Canopy included for surface wall, end or ceiling mount application
- Trim plate, 27 inch adjustable T-bar hangers and a junction box included for recessed* application

* Not intended for closed ceilings such as plaster and sheetrock.

Approvals

- UL 924 listed
- Damp location 50°F to 104°F (10°C to 40°C)
- Meets, NFPA101, (Life Safety Code) NFPA 70-NEC and OSHA illumination Standards

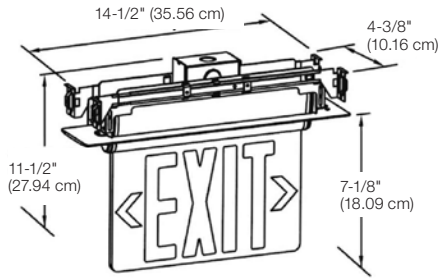
Warranty (subject to proper installation and maintenance)

Three-year full warranty

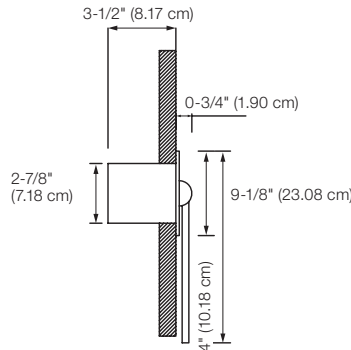
Detailed warranty terms located on **page 182** or **online at: www.lightalarms.com**



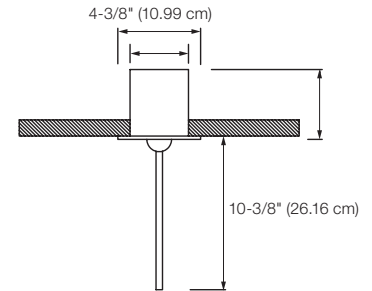
Dimensions (Dimensions are approximate and subject to change):



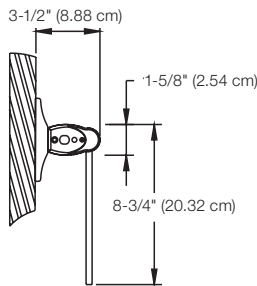
Recessed ceiling mount



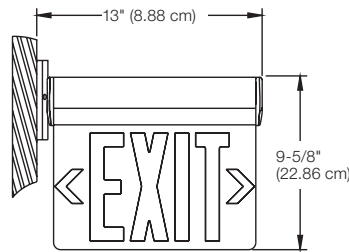
Recessed wall mount (side view)



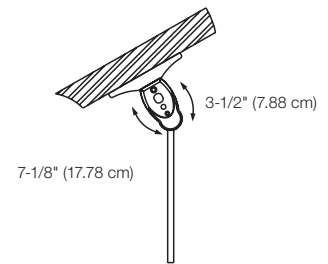
Recessed ceiling mount (side view)



Surface wall mount



Surface end mount



Surface sloped ceiling mount

Power consumption chart

Model		AC Specs	DC Specs
Red	AC-Only	120VAC, 60Hz (2.0-2.6W)	-
		277VAC, 60Hz (2.6-3.1W)	-
	Self-powered	120VAC, 60Hz (2.0-2.6W)	Ni-Cd battery (Min. 90 Minutes)
		277VAC, 60Hz (2.6-3.1W)	Ni-Cd battery (Min. 90 Minutes)
Green	AC-Only	120VAC, 60Hz (2.8-3.3W)	-
		277VAC, 60Hz (3.5-4W)	-
	Self-powered	120VAC, 60Hz (2.8-3.3W)	Ni-Cd battery (Min. 90 Minutes)
		277VAC, 60Hz (3.5-4W)	Ni-Cd battery (Min. 90 Minutes)

Ordering format

Legend	Series	Legend color
6= 6" EXIT single and double face with universal chevrons and mounting for surface or recessed	UEA= AC only UEN= Self-powered	RM= Red on mirror GM= Green on mirror

Example: 6UEARM