



TYPE \_\_\_\_\_

CATALOG # \_\_\_\_\_

NOTES \_\_\_\_\_

## PENDANT KITS

For Exit Signs and  
Special Wording Signage



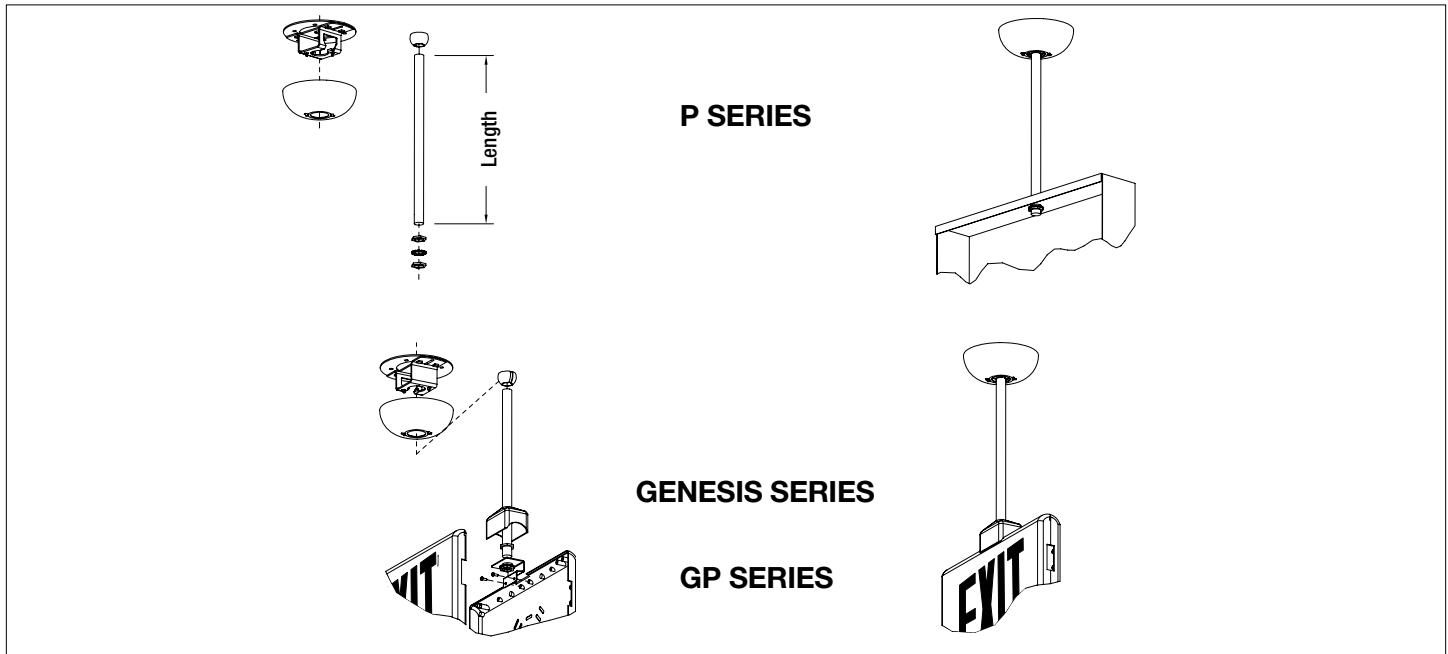
### SPECIFICATIONS

Made of metal, offered in a variety of colors and lengths. Compatible with both horizontal and sloped ceilings. **Lightalarms®** pendant kits are designed to facilitate the installation of Exit Signs or Special Wording Panel Signage to regular mounting heights.

Please consult your sales representative.

### DIMENSIONS

Dimensions are approximate and subject to change.



### ORDERING FORMAT FOR UX4, GX AND SIMPLICITY™ PREMIUM SERIES

SERIES	COLOR	LENGTH (IN INCHES)		MODEL
P <sup>1</sup>	W= White	12	60	L
GP <sup>2</sup>	B= Black	24	72	
	A= Gray/Aluminum	36	84	
		48	96	

<sup>1</sup> For use with Simplicity™ Premium & UX4 Series

<sup>2</sup> For use with Genesis™ Series

EXAMPLE: PW24L

### ORDERING FORMAT FOR GRANDE™ SERIES

SERIES	LENGTH (IN INCHES)		COLOR	MODEL
GRA-P <sup>1</sup>	12	60	WT= White B= Black A= Gray/Aluminum	L
	24	72		
	36	84		
	48	96		

<sup>1</sup> For use with Grande™ Series

EXAMPLE: GPW24L

### ORDERING FORMAT FOR SIMPLICITY™ ECONOMIZER SE, SES & SEN SERIES

SERIES	LENGTH (IN INCHES)			COLOR
SE-P	12	48	84	WT= White B= Black A= Gray/Aluminum
	24	60	96	
	36	72		

EXAMPLE: SE-P12-WH