



# LADL32 SERIES

Convert new or existing fluorescent fixtures into emergency lighting units  
500 lumen emergency ballast



TYPE \_\_\_\_\_

CATALOG # \_\_\_\_\_

NOTES \_\_\_\_\_

## FEATURES

### Housing

- Low profile steel housing contains, battery, battery charger, transfer circuit and high frequency inverter
- Optional end caps available
- Operating temperature 68°F to 122°F (20°C to 50°C)

### Mounting

- Internal or external mounting to a fluorescent fixture

### Lamp Type Operation (refer to Ballast/Lamp Reference Chart for specific lamp type)

- One 17-40W (2'-4') T8, T10, T12 or one 28W (2'-4') T5, T8, 40W Biax (Long CFL), or 50W Biax (Long CFL) fluorescent lamp

### Lumen Output

- (1) Lamp 375-500 Lumens

### Electronics

- Can be wired to operate switched, un-switched or normally off fixtures without affecting normal operation
- Will cold start and illuminate lamps
- Fully Automatic solid state charger
- High capacity, automatic, dust-tight instantaneous transfer relay
- Low voltage disconnect prevents over discharge of battery
- Automatic brownout protection
- Battery connector prevents battery discharge during installation

### Controls

- Red charger monitor LED indicates charging of the battery and AC present
- Momentary test switch allows for quick operational check of entire system

### Sealed Maintenance-Free Battery

- Nickel-Cadmium battery
- Provides 90 minutes of emergency operation

### Power Requirements

- Dual voltage 120/277VAC, 2.5W




### Approvals

- UL 924 Standards
- Damp location listed

### Warranty (subject to proper installation and maintenance)

- Ballast has a five year full warranty

## ACCESSORIES (order as separate item)

End Caps 	External mounting kit includes wire bundle cover	<b>EC6</b>
Remote Test Switch (Metal faceplate)		<b>PSW</b>
Remote Test Switch (Plastic faceplate)		<b>PSW1</b>
Recommended for inaccessible locations. Test switch and charging indicator on a single mounting plate.		Charging Indicator Light  Push Button Test Switch 
Replacement Test Switch		<b>TBTSBA-L</b>

## ORDERING FORMAT

<b>SERIES</b>
<b>LADL32</b>

EXAMPLE: LADL32

## SPECIFICATIONS

Supply and install **Lightalarms® LADL32 Series**.

The **LADL32** fluorescent emergency ballast shall be a single steel housing self-contained unit including a sealed maintenance-free Nickel-Cadmium battery, battery charger, transfer circuit and high frequency inverter. The unit shall be rated 120/277VAC, 60 Hz and be UL924 listed.

The **LADL32** fluorescent emergency ballast, sealed dust-tight relay inverter charger transfer circuit shall be of a solid state design being automatic and instantaneous capable of supplying an initial 500 lumens output to cold start, operate switched, un-switched or normally off fixtures without affecting normal operation. The battery shall supply emergency operation for a minimum of 90 minutes and shall be capable of full recharge in compliance with UL924 specifications.

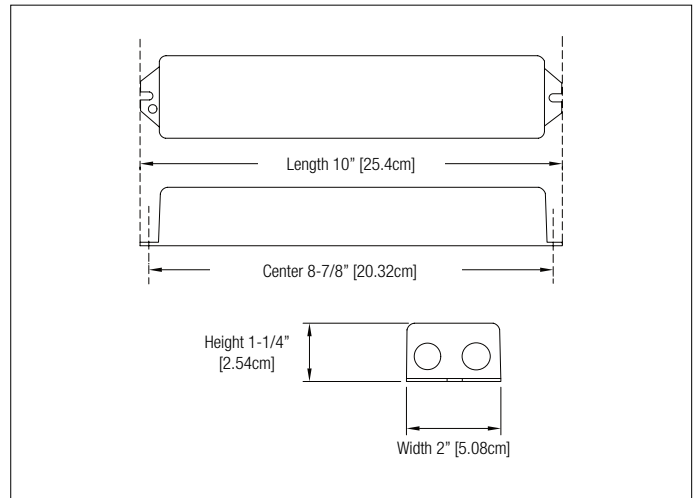
The unit shall be furnished with, red charger monitor LED indicates charging of the battery and AC present to unit as well as a momentary test switch allows for quick operational check of entire system.

Every **LADL32 Series** unit shall be fully warranted for five years, subject to proper installation and maintenance. UL listed to standard 924, complies with NEC, Life Safety Code and OSHA requirements.

Unit shall be **Lightalarms®** catalog number \_\_\_\_\_ .

## DIMENSIONS

Dimensions are approximate and subject to change.



## COMPATIBLE LAMP CHART

LAMP	VOLTAGE	WATTAGE	INITIAL LUMEN
			1-LAMP
<b>F17 T8</b>	<b>120/277V</b>	<b>17</b>	450
<b>F28 T8</b>		<b>28</b>	460
<b>F32 T8</b>		<b>32</b>	475
<b>28W T5</b>		<b>28</b>	500
<b>F15 T12</b>		<b>15</b>	375
<b>F20 T12</b>		<b>20</b>	425
<b>F40 T12</b>		<b>40</b>	450
<b>40W Long Compact</b>		<b>40</b>	450
<b>40W Circling</b>		<b>40</b>	450