



LADL20-N SERIES

Convert new or existing fluorescent fixtures into emergency lighting units
750 lumen emergency ballast

TYPE _____

CATALOG # _____

NOTES _____

FEATURES

Housing

- Steel housing contains, battery, battery charger, transfer circuit and high frequency inverter
- Operating temperature 32°F to 122°F (0°C to 50°C)

Mounting

- Internal or external mounting to a fluorescent fixture

Lamp Type Operation (refer to Ballast/Lamp Reference Chart for specific lamp type)

- Compatible with most one-, two-, three-, and four-lamp electronic standard and dimming AC
- Operates one 17W-40W T8 through T12, two 13W-39W, one 13W-42W 4-pin compact or one 18W-40W 4-pin long compact fluorescent lamps

Lumen Output

- (1) Lamp 350-750 Lumens
- (2) Lamps 425-750 Lumens

Electronics

- Can be wired to operate switched, un-switched or normally off fixtures without affecting normal operation
- Will cold start and illuminate lamps
- Fully Automatic solid state charger
- High capacity, automatic, dust-tight instantaneous transfer relay
- Low voltage disconnect prevents over discharge of battery
- Automatic brownout protection
- Battery connector prevents battery discharge during installation

Controls

- Red charger monitor LED indicates charging of the battery and AC present
- Momentary test switch allows for quick operational check of entire system

Sealed Maintenance-Free Battery

- Nickel-Cadmium battery
- Provides 90 minutes of emergency operation

Power Requirements

- Dual voltage 120/277VAC, 60Hz, 1.8W

Approvals

- UL 924 Standards
- Damp location listed

Warranty (subject to proper installation and maintenance)

- Ballast has a five year full warranty

ACCESSORIES (order as separate item)

Remote Test Switch (Metal faceplate)	PSW
Remote Test Switch (Plastic faceplate)	PSW1
Recommended for inaccessible locations. Test switch and charging indicator on a single mounting plate.	<p>Charging Indicator Light</p> <p>Push Button Test Switch</p>
Replacement Test Switch	TBTSBA-L

ORDERING FORMAT

SERIES
LADL20-N

EXAMPLE: LADL20-N

SPECIFICATIONS

Supply and install Lightalarms® LADL20-N Series.

The LADL20-N fluorescent emergency ballast shall be a single steel housing self-contained unit including a sealed maintenance-free Nickel-Cadmium battery, battery charger, transfer circuit and high frequency inverter. The unit shall be rated 120/277VAC, 60 Hz and be UL924 listed.

The LADL20-N fluorescent emergency ballast, sealed dust-tight relay inverter charger transfer circuit shall be of a solid state design being automatic and instantaneous capable of supplying an initial 750 lumens output to cold start, operate switched, un-switched or normally off fixtures without affecting normal operation. The battery shall supply emergency operation for a minimum of 90 minutes and shall be capable of full recharge in compliance with UL924 specifications.

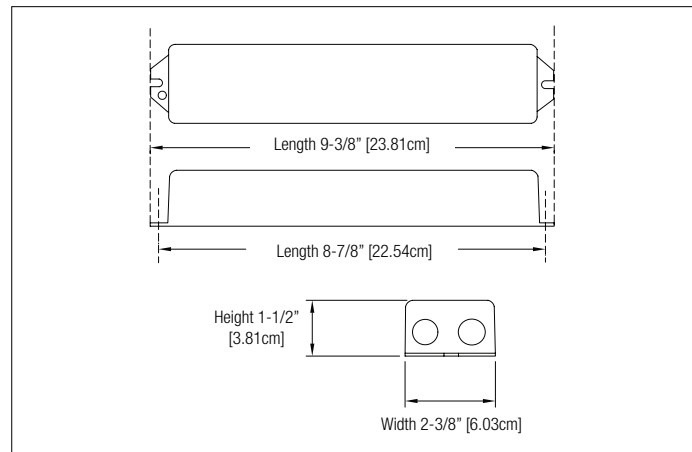
The unit shall be furnished with, red charger monitor LED indicates charging of the battery and AC present to unit as well as a momentary test switch allows for quick operational check of entire system.

Every LADL20-N Series unit shall be fully warranted for five years, subject to proper installation and maintenance. UL listed to standard 924, complies with NEC, Life Safety Code and OSHA requirements.

Unit shall be Lightalarms® catalog number _____ .

DIMENSIONS

Dimensions are approximate and subject to change.



COMPATIBLE LAMP CHART

LAMP	VOLTAGE	WATTAGE	INITIAL LUMENS	
			1-LAMP	2-LAMP
4-pin PL CF	120/277V	13W	350	425
4-pin PL CF		18W	400	550
4-pin PL CF		26W	475	650
4-pin PL CF		32W	600	750
4-pin PL CF		42W	750	—
4-pin Long CF		18W	550	—
4-pin Long CF		24W	600	—
4-pin Long CF		36W	650	—