



LADL7 SERIES

Convert new or existing fluorescent fixtures into emergency lighting units
750 lumen emergency ballast

TYPE _____

CATALOG # _____

NOTES _____

FEATURES

Housing

- Steel housing contains, battery, battery charger, transfer circuit and high frequency inverter
- Optional end caps available
- Operating temperature 68°F to 122°F (20°C to 50°C)

Mounting

- Internal or external mounting to a fluorescent fixture

Lamp Type Operation (refer to Ballast/Lamp Reference Chart for specific lamp type)

- One 14-54W or two 14-39W
- (2'-4') T5 and T8 lamps with instant start or rapid start or one 4-pin
- 18-50W long compact fluorescent or one 4-pin
- 32W compact fluorescent or one 24-32W U-Bend lamp
- T5 Lamps
- Long Compact Lamps
- 4-Pin Compact Fluorescent Lamps

Lumen Output

- (1) Lamp 440-750 Lumens
- (2) Lamps 400-690 Lumens

Electronics

- Can be wired to operate switched, un-switched or normally off fixtures without affecting normal operation
- Will cold start and illuminate lamps
- Fully Automatic solid state charger
- High capacity, automatic, dust-tight instantaneous transfer relay
- Low voltage disconnect prevents over discharge of battery
- Automatic brownout protection
- Battery connector prevents battery discharge during installation

Controls

- Red charger monitor LED indicates charging of the battery and AC present
- Momentary test switch allows for quick operational check of entire system

Sealed Maintenance-Free Battery

- Nickel-Cadmium battery
- Provides 90 minutes of emergency operation

Power Requirements

- Dual voltage 120/277VAC, 60Hz, 3.7W

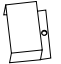
Approvals

- UL 924 Standards
- Damp location listed

Warranty (subject to proper installation and maintenance)

- Ballast has a five year full warranty

ACCESSORIES (order as separate item)

	External mounting kit includes wire bundle cover	EC6
	Remote Test Switch (Metal faceplate)	PSW
	Remote Test Switch (Plastic faceplate)	PSW1
	Recommended for inaccessible locations. Test switch and charging indicator on a single mounting plate.	Charging Indicator Light Push Button Test Switch
	Replacement Test Switch	TBTSP-L

ORDERING FORMAT

SERIES
LADL7

EXAMPLE: LADL7

SPECIFICATIONS

Supply and install Lightalarms® LADL7 Series.

The LADL7 fluorescent emergency ballast shall be a single steel housing self-contained unit including a sealed maintenance-free Nickel-Cadmium battery, battery charger, transfer circuit and high frequency inverter. The unit shall be rated 120/277VAC, 60 Hz and be UL924 listed.

The LADL7 fluorescent emergency ballast, sealed dust-tight relay inverter charger transfer circuit shall be of a solid state design being automatic and instantaneous capable of supplying an initial 750 lumens output to cold start, operate switched, un-switched or normally off fixtures without affecting normal operation. The battery shall supply emergency operation for a minimum of 90 minutes and shall be capable of full recharge in compliance with UL924 specifications.

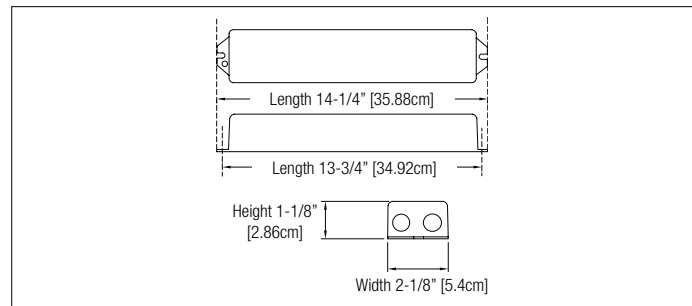
The unit shall be furnished with, red charger monitor LED indicates charging of the battery and AC present to unit as well as a momentary test switch allows for quick operational check of entire system.

Every LADL7 Series unit shall be fully warranted for five years, subject to proper installation and maintenance. UL listed to standard 924, complies with NEC, Life Safety Code and OSHA requirements.

Unit shall be Lightalarms® catalog number _____.

DIMENSIONS

Dimensions are approximate and subject to change.



COMPATIBLE LAMP CHART

LAMP	VOLTAGE	WATTAGE	INITIAL LUMENS	
			1-LAMP	2-LAMP
F14W T5	120/277V	14	480	440
F21W T5		21	680	640
F24W T5/HO		24	440	410
F28W T5		28	750	690
F39W T5/HO		39	670	640
F54W T5/HO		54	600	650
F14W T8		14	450	400
F20W T8		20	550	520
F28W T8		28	625	580
F32W T8		32	700	670
F36W T8		36	680	650
F39W T8		39	620	580
F54W T8		54	500	—
F32W PLCF Quad 4pin		32	550	510
Long compact F36W		36	610	570
Long compact F40W		40	625	—
Long compact F50W	50	510	—	
PLC F30BX, 40BX, 50BX	30, 40, 50	650	—	
F24W U-BEND FBT8	24	580	550	
F32W U-BEND FBT8	32	630	600	