



nexus



## GALAXY™ XD & XDN SERIES

Die-Cast Aluminum LED Exit Sign.  
Superior workmanship, versatile mounting capabilities and long lasting LED performance in an economical design

TYPE \_\_\_\_\_

CATALOG # \_\_\_\_\_

NOTES \_\_\_\_\_

### FEATURES

#### Construction

- Frame, faceplate, backplate and canopy are made of die-cast aluminum
- 6 inch EXIT lettering legend available in Red or Green

#### Mounting

- Surface Mount
- Single face model includes (1) faceplate, (1) back-plate and (1) canopy
- Double face model includes (2) faceplates and (1) canopy
- Canopy included for end or ceiling mount applications
- Backplate features universal knockouts for a standard 4 inch junction box used in wall mount applications

#### Finishes

- Choice of finishes: white, black or brushed aluminum

#### Chevrons

- Faceplate includes two field-selectable, knock-out, chevron indicators

#### LEDs

- Red or Green Long-Life Light Emitting Diodes (LED) illumination

#### Self-Diagnostics

- Self-Powered models available with or without Improved Diagnostics
- NEXUS® wired or wireless system compatible.

#### Special Wording Panels:

- Available. Contact your sales representative with your design requirements

#### Approvals

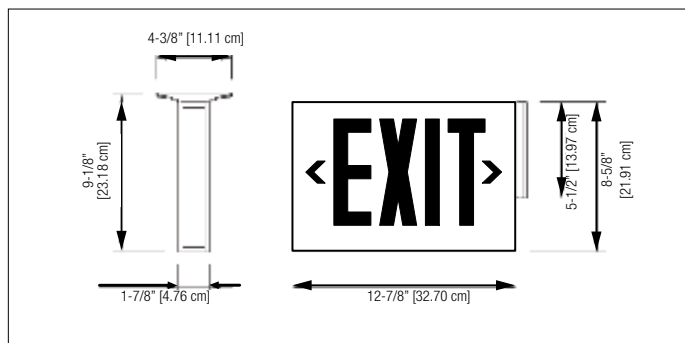
- Listed to UL 924 Standards
- Option: UL listed for Damp location (50°F to 104°F, 10°C to 40°C)
- Meets NFPA101 (Life Safety Code), NFPA 70 NEC, OSHA illumination standards

#### Warranty

- Five-Year full warranty (subject to proper installation and maintenance)

### DIMENSIONS

Dimensions are approximate and subject to change.



### SPECIFICATIONS

Supply and Install Lightalarms® Galaxy™ XD, XDN Series.

The Exit Sign specified as single face shall be standard with (1) faceplate, (1) backplate and (1) canopy and specified as double face shall be standard with (2) faceplates and (1) canopy.

The frame, faceplate, backplate and canopy shall be constructed of die-cast aluminum. Frame, backplate and canopy shall be matching in color, (W) white (B) black or (A) brushed aluminum. Faceplate shall be (W) white, (B) black or (A) brushed aluminum with a (R) red or (G) green legend.

Snap together design, no screws needed to hold the frame, faceplate(s) or backplate together. The faceplate includes two removable knockout chevrons. Single face Exit Sign shall be for surface, wall, end or ceiling installations. Double face Exit Sign shall be for surface, end or ceiling installations.

Illumination source shall be Light Emitting Diodes (LED) in (R) red or (G) green color. The LEDs shall provide illumination in normal and emergency operation mode. A color matching LED sensitive legend of (R) red or (G) green, shall be mounted in front of the LEDs to provide 6" high by 3/4" stroke EXIT letters evenly illuminated, no visible LEDs or hot spots.

AC-Only models; 120/277VAC, 60Hz, power consumption less than 2.5W.

AC/DC models; 120/277VDC, 60Hz, power consumption less than 2W, DC operation, 6VDC to 48VDC, using less than 1.5W.

Self-Powered models; 120/277VAC, 60Hz, power consumption less than 3W, with Self-Diagnostics option, less than 2.8W, each supplied with a sealed maintenance-free Nickel-Cadmium battery, providing at least 90 minutes illumination upon AC failure.

Self-Powered Exit Sign with Improved Diagnostics include a self-test and diagnostic function, managed by a micro-controller; it shall execute automatic tests for one minute every 30 days, 30 minutes every 60 days and 90 minutes annually. Diagnostic circuit shall continuously monitor the performance of the battery, charger and LED lamps. When a fault is detected the pilot light will change from green to red and flash. Flash legend indicating the fault shall be next to the pilot light.

The Exit Sign shall be listed to UL 924 standards, UL listed for Damp location (50°F to 104°F, 10°C to 40°C) optional and meet NFPA101 (Life Safety Code), NFPA 70-NEC and OSHA illumination standards. Includes a five-year full warranty.

The Exit Sign shall be Lightalarms® Model \_\_\_\_\_.

### POWER CONSUMPTION CHART

MODEL	AC SPECS		DC SPECS	
AC-Only	120/277VAC, 60Hz	Less than 2.5W	-	-
AC / DC-remote	120/277VAC, 60Hz	Less than 2W	6 to 48VDC	Less than 1.5W
Self-Powered	120/277VAC, 60Hz	Less than 3.3W	Nickel-Cadmium battery	Min. 90 minutes
Self-Powered with Diagnostic	120/277VAC, 60Hz	Less than 2.8W	Nickel-Cadmium battery	Min. 90 minutes

### ORDERING FORMAT

NO. OF FACE	SERIES	BACKPLATE/FRAME COLOR	LEGEND/FACEPLATE COLOR	OPTIONS
1= Single face 2= Double face	<b>Standard Models</b> XDA= AC-Only XDC= AC/DC XDND= Self-Powered WITH Improved Diagnostics XDN= Self-Powered WITHOUT Improved Diagnostics <b>Optional Models</b> XD21= Dual AC circuit (2 x 120V) XD22= Dual AC circuit (2 x 277V) XDNEX= NEXUS® Wired <sup>1</sup> XDNEXRF= NEXUS® Wireless <sup>1</sup> <sup>1</sup> Consult your sales representative.	<b>B</b> = Black <b>W</b> = White <b>A</b> = Brushed aluminum	<b>RB</b> = Red/Black <b>GB</b> = Green/Black <b>RW</b> = Red/White <b>GW</b> = Green/White <b>RA</b> = Red/Brushed Aluminum <b>GA</b> = Green/Brushed Aluminum	<b>Blank</b> = No option <b>-FB</b> = Flasher buzzer <sup>1</sup> <b>-FL</b> = Flasher <sup>1</sup> <b>-FAF</b> = Fire Alarm Flasher (not available with XDN model) <b>-FBF</b> = Fire alarm activated flasher and Flasher Buzzer <sup>1</sup> <b>-VR</b> = Vandal Resistant Screws <b>-LVR</b> = Vandal Resistant Polycarbonate lens and screws <b>-DL</b> = Damp location (50°F minimum, 104°F maximum ambient, 10°C minimum, 40°C maximum) <b>-Y</b> = Open faceplate and special wording faceplate For Pendant Kit see p. 51 <sup>1</sup> Available with XDND, XDNEX, and XDNEXRF only.

EXAMPLE: 2XDABRB