



Simplicity Series - Edge-Lit LED Exit Sign

Flat trim AC, AC/DC and Self-Powered models



WARNING:
Risk of Shock.
Disconnect Power before Installation.




IMPORTANT SAFEGUARDS

When using electrical equipment, basic safety precautions should always be followed including the following:

READ AND FOLLOW ALL SAFETY INSTRUCTIONS

1. All servicing should be performed by qualified service personnel.
2. Do not use outdoors.
3. Do not let power supply cords touch hot surfaces.
4. Do not mount near gas or electric heaters.
5. Equipment should be mounted in locations and at heights where it will not readily be subjected to tampering by unauthorized personnel.
6. The use of accessory equipment not recommended by the manufacturer may cause an unsafe condition.
7. Do not use this equipment for other than intended use.

SAVE THESE INSTRUCTIONS

 **Important:** This sign shall be installed only where there is adequate colour contrast between the sign legend and the interior wall finish behind the sign, to provide for sufficient visibility.

Installation Instructions

Turn off AC power.

Installation

1. Remove the proper knockout in the back box for the entry of the AC wires.
2. Assemble the bar hangers (3) to the adjustment brackets (2) and the adjustment brackets to the back box (see figure 2). Install the bar hangers in the adjustment brackets. Mount the back box so that it is flush with the ceiling surface.
3. Route AC circuit of rated voltage into the back box and leave 6" of wire length.
4. Follow directions on the panel for chevron placement. (Note: for single sided units with clear background place chevron on back of panel).
5. Connect the incoming ground to the short ground wire provided in the back box.

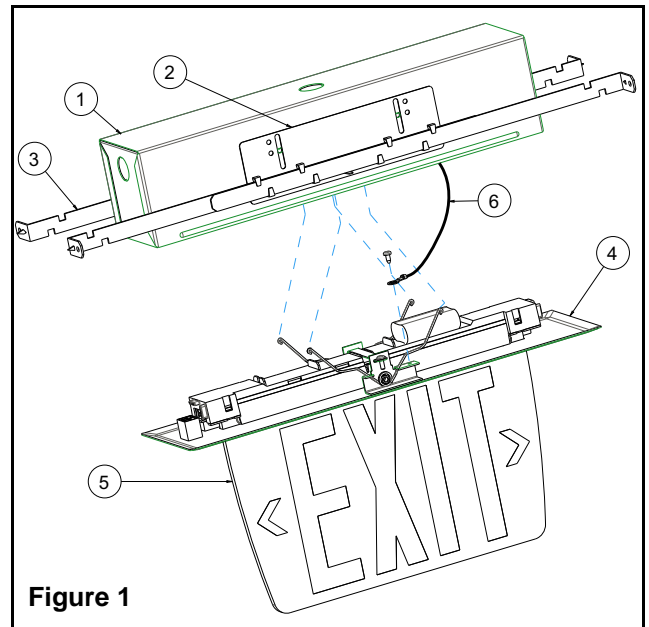


Figure 1

Parts List

- | | |
|----------------------------|------------------------|
| 1. Back box | 4. Trim plate assembly |
| 2. Adjustment brackets (2) | 5. Exit panel |
| 3. Bar hangers (2) | 6. Ground wire |

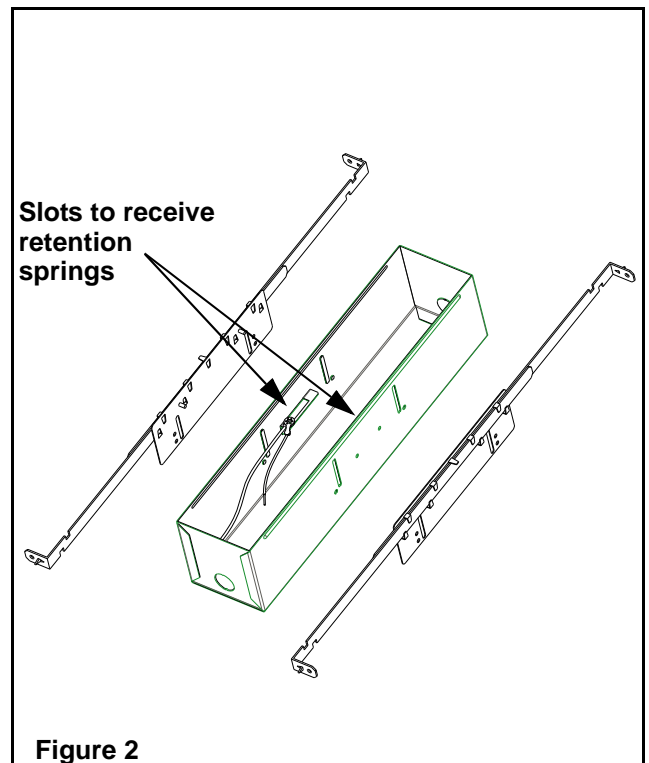


Figure 2

6. Electrical connection

- a. Connect the long ground lead from the back box to the spring bracket on the trim plate assembly with the hardware provided.
 - b. Make the proper connections (see figure 3). This unit can accept input voltages of 120 VAC to 347 VAC. For regular models connect the purple (line) and white (common) leads to the building utility (Figure 3).
 - c. AC/DC Models only:
For DC portion: wire the red lead (+) to the positive DC input voltage and the blue lead (-) to the negative DC input voltage. Note: DC input voltage range is 6 volts to 24 volts.
7. Compress the retention springs (see figures 4) and pass them through the slots on the back box (1) (see figure 2) and Push the trim plate assembly into the back box. Align to be flush with the back box or the ceiling.
 8. Plug battery (self powered models only).

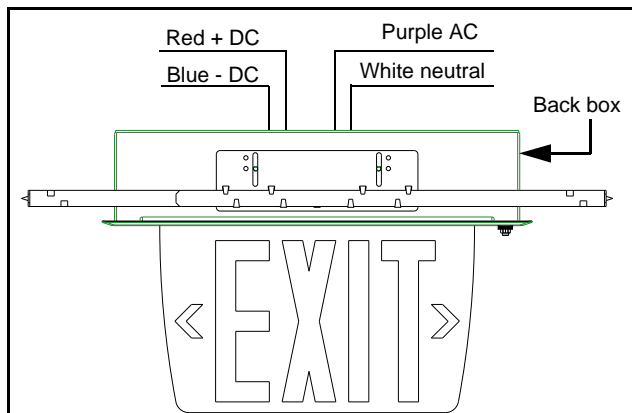


Figure 3 (Regular models)

Self Powered models

Manual testing

Press test switch (see figure 5). Legend will flicker then will remain lit. On release, external green LED will illuminate, and automatic charger will restore battery to full charge.

Maintenance

None required.

Models equipped with batteries: if AC supply is to be disconnected for 2 months or more, the battery must be disconnected (Self-Powered Models only).

Note — For safety reasons Nickel Cadmium batteries are shipped discharged. The unit may require 10 minutes of connection to AC supply before start-up test procedure, and two to seven days to reach full charge.

Warranty: For the complete warranty information, please refer to the landing page of our website (<http://www.lightalarms.com>).

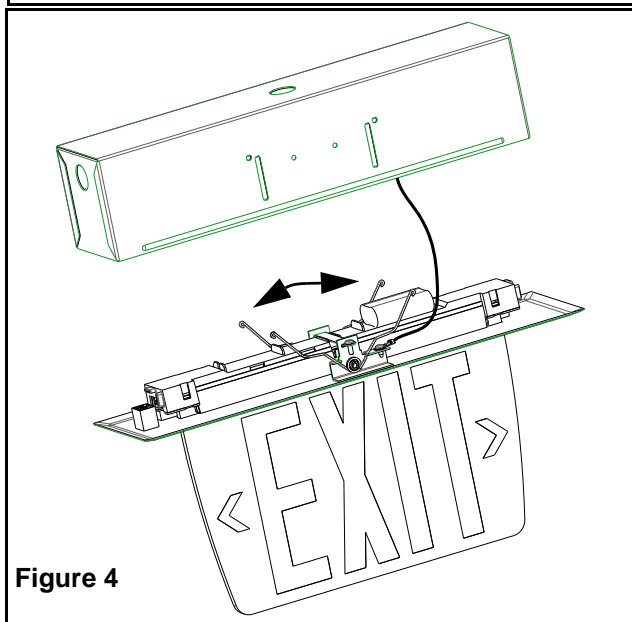


Figure 4

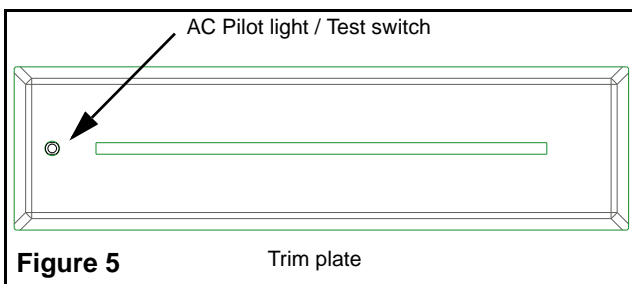


Figure 5 Trim plate

ADDENDUM :

Flat trim panel replacement and installation kit AC, AC/DC, SP.

Step 1: Panel removal

1. Turn off AC power.
2. Pull the trimplate assembly away from the back box until it is allowed to hang freely.
3. Disconnect black and white wires.
4. Unscrew the ground wire.
5. Unscrew end brackets and remove the electronic module (trimplate with bracket see figure 1) or;

6. Unsnap and remove the electronic module from the trimplate (trimplate with clips see figure 2) or;
7. Unscrew center bracket and remove the electronic module (trimplate with center bracket see figure 3).
8. Pull the panel up to reveal the two screws and remove them. (Important: U shape panel can not be pulled all the way up through the trimplate).
9. Once the screws have been removed pull the panel down through the trim plate.
10. Follow the steps below to replace the panel according to the appropriate trimplate assembly (see fig. 1,2 or 3).

Step 2A: Panel Installation for trimplate with brackets.

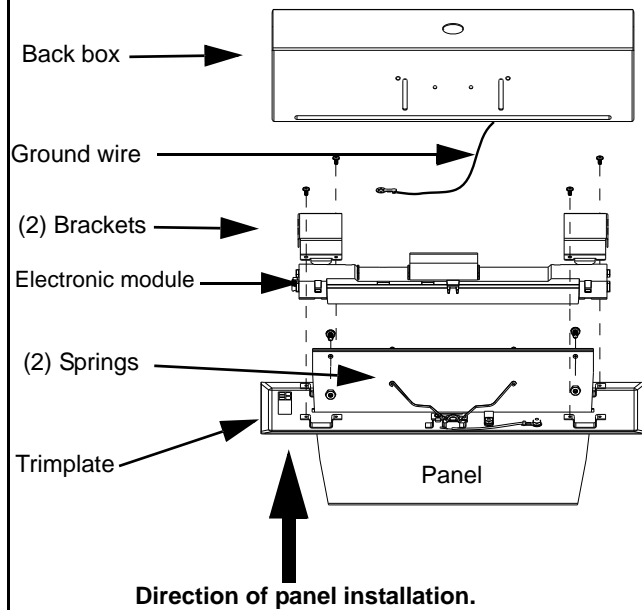
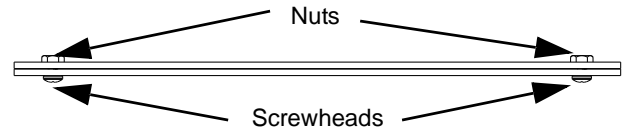


Figure 1



1. Slide the panel into trimplate the same way it was taken out.
2. Install the screws while respecting the orientation see view above.
3. Place the brackets onto the electronic module and screw them onto the trimplate.
4. Screw ground wire to trimplate.
5. Compress the retention springs and hook the trimplate assembly onto the back box.
6. Reconnect black and white wires.
7. Snap the trimplate assembly onto the back box.
8. Energize AC circuit.

Step 2B: Panel Installation for trimplate with clips.

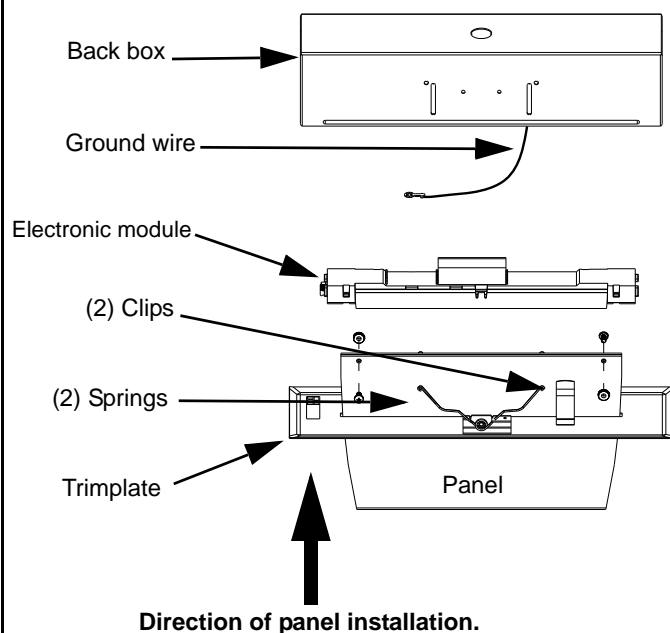
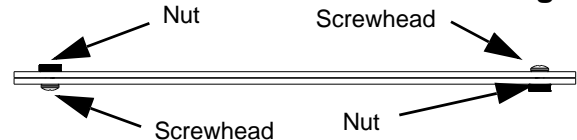


Figure 2



1. Slide the panel into trimplate the same way it was taken out.
2. Install the screws while respecting the orientation see view above.

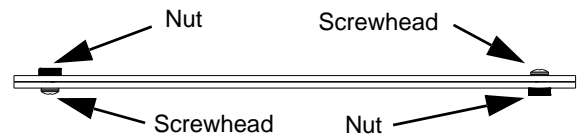
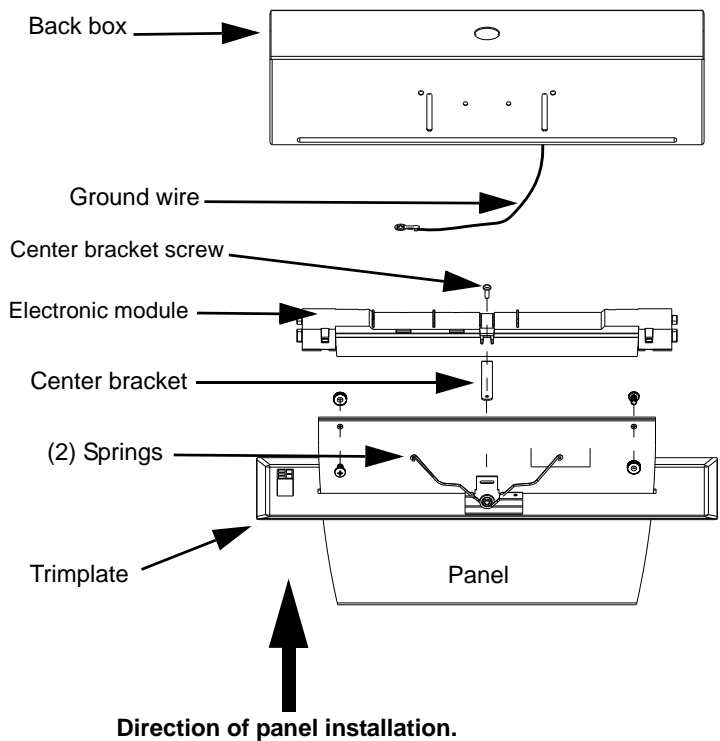


CAUTION: Failure to respect screws orientation may prevent the panel from being vertically aligned once installed.

3. Snap the electronic module into the trimplate (snap on one clip at a time).
4. Screw ground wire to trimplate.
5. Compress the retention springs and hook the trimplate assembly onto the back box.
6. Reconnect black and white wires.
7. Snap the trimplate assembly onto the back box.
8. Energize AC circuit.

Step 2C: Panel Installation for trimplate with center bracket.

Figure 3



1. Slide the panel into trimplate the same way it was taken out.
2. Install the screws while respecting the orientation see view above.



CAUTION: Failure to respect screws orientation may prevent the panel from being vertically aligned once installed.

3. Slide the center bracket through the slot and over the electronic module then replace the screw into the center bracket.
4. Screw ground wire to trimplate.
5. Compress the retention springs and hook the trimplate assembly onto the back box.
6. Reconnect black and white wires.
7. Snap the trimplate assembly onto the back box.
8. Energize AC circuit.