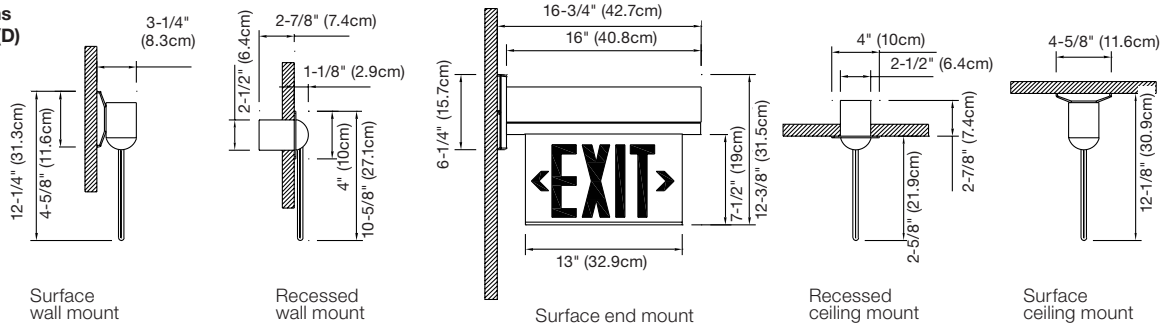
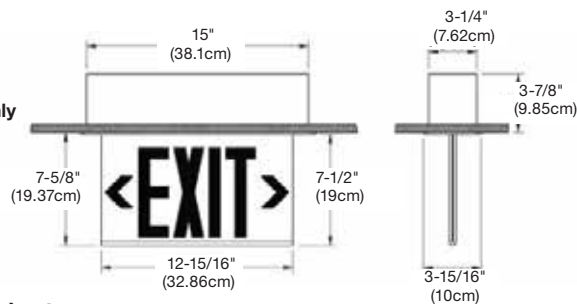


Dimensions (Dimensions are approximate and subject to change):

Mounting applications available with dome (D) and pyramid (P) trim plates

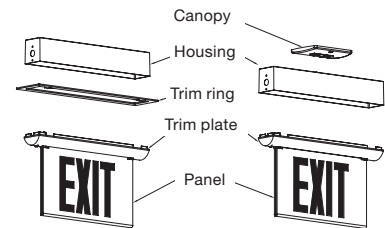


Mounting application available with flat (Z) trim plate - recessed ceiling mount only



For Recessed mount, use these components

For Surface mount, use these components



Power consumption chart

Model	AC Specs	DC Specs
AC-Only	120-277VAC, 60Hz (Less than 1.4W)	-
AC/DC	120-277VAC, 60Hz (Less than 1.4W)	6 to 24VDC (Less than 1.4W)
Self-powered	120-277VAC, 60Hz (Less than 2.3W)	Nickel-Cadmium battery (Min. 90 minutes)
Self-powered diagnostic	120-277VAC, 60Hz (Less than 2.3W)	Nickel-Cadmium battery (Min. 90 minutes)

Accessories (Order as a separate item)

Product code	Description
PW-*	Pendant, white
PB-*	Pendant, black
PA-*	Pendant, gray

* Specify pendant length (12", 24", 36", etc).

Ordering format

Legend	Series	Housing color	Legend color	Panel background color	Trim plate	Chevron	Options
Blank = 6" EXIT legend 8 = 8" EXIT legend	SLEDN = AC-only (less than 1.4W) SPLEDN = Self-powered	A = Brushed aluminum W = White B = Black DB = Dark bronze (painted) PB = Polished brass CH = Polished chrome	R = Red G = Green	C = Clear (single face only) W = White (single or double face) M = Mirror (single or double face)	D = Dome P = Pyramid Z = Flat trim	Blank = No chevron (single face sign) 2 = No chevron (double face sign) L = Left chevron (on a single face sign) R = Right chevron (on a single face sign) RL = Left & right chevron (double face sign, one chevron on each side) 1D = Double chevron (on single face) 2D = Double chevron (double face sign, two chevrons on each side) UA = (2 Qty) for single & (4 Qty) for doubles universal field stick on chevrons per face 2UA = Double face with universal stick on chevrons	Blank = No option -X = Back box shipped separately -LP = Panel shipped separately -FAF = Fire alarm flasher (SP only) -FB = Flasher & buzzer (SP only) -ID = Self-test and diagnostic (SP only) -Y = Two circuits (AC only) -DC = AC/DC model 6 to 24VDC NEX = Nexus® Wired ¹ NEXRF = Nexus® Wireless ¹

Example: SLEDNARWDLY

¹ Consult your sales representative. For Special Wording, please contact your sales representative.